

LIGHT SHOOTER ADJUSTABLE NO TRIM

| | |
|--------------------------------|---|
| Number of heads | 1 |
| Mounting | Ceiling recessed |
| Lamps description | Power LED 10W 850 lm 2700K CRI 90 |
| Luminaire luminous flux | Extreme Cut-off. See reference number |
| Voltage (V) | 220/240 |
| Environment | Indoor |
| Notes | LED: All the models include an accessory for IP54. Pre-installation frame included in No Trim versions. |

OPTICAL

| | |
|------------------------------------|------------|
| Aiming | Adjustable |
| Light distribution symmetry | Symmetric |
| Beam angle | 25° Flood |

ELECTRICAL

| | |
|---------------------------------|------------|
| Transformer availability | Included |
| Transformer mounting | Remote |
| Transformer type | Electronic |
| Emergency | Without |
| Insulation class | Class II |

PHYSICAL

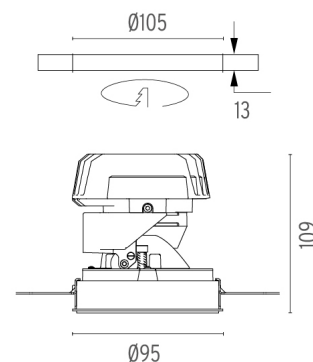
| | |
|------------------------------|-----------|
| Cutout diameter (mm) | 105 |
| Recessed depth (mm) | 170 |
| Construction material | Aluminium |
| Weight (kg) | 0,45 |



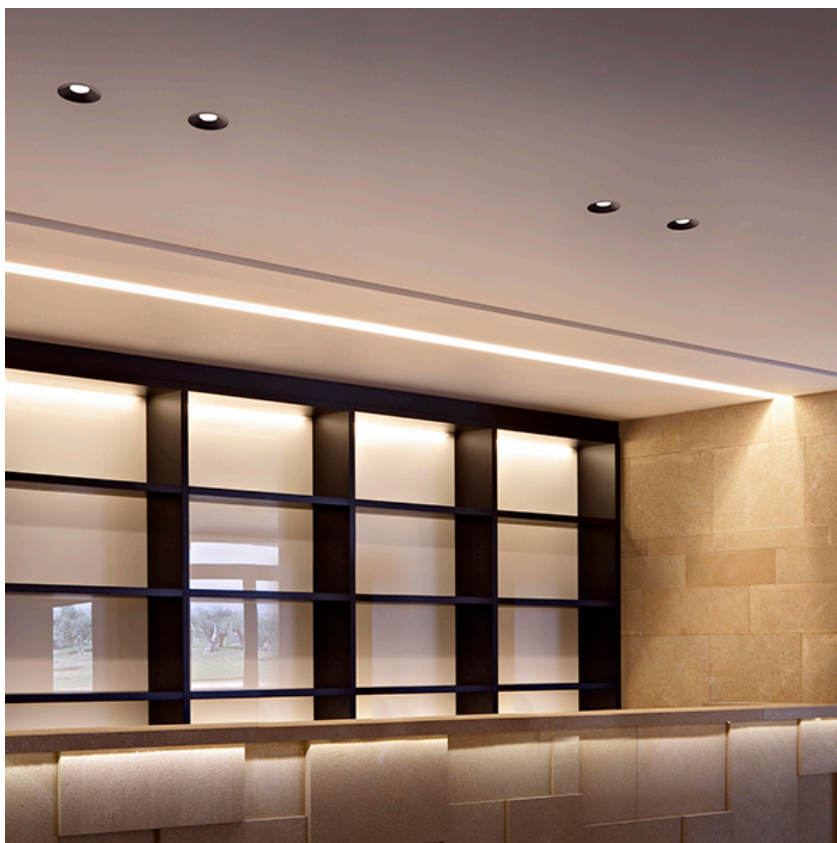
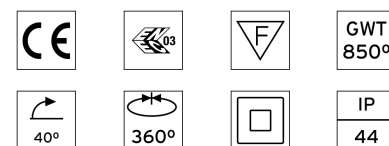
Light Shooter Adjustable No Trim
designed by FLOS Architectural

High-performance embedded light fixture for LED light source. Remote 220-240V power supply included.

- 03.6524.40A - 473lm White
- 03.6524.14A - 473lm Black



CERTIFICATIONS



FLOS

Light Shooter Adjustable No Trim . Accessories

Optical



08.8041.68

Elliptical light distribution lens

Elliptical light distribution lens in 4mm thick tempered glass.



● 08.8412.14

Honeycomb

"Honeycomb" anti-glare grid made of aluminium cells.



Light Shooter Adjustable No Trim designed by FLOS Architectural

High-performance embedded light fixture for LED light source. Remote 220-240V power supply included.

- 03.6524.40A - 473lm White
- 03.6524.14A - 473lm Black

Light Shooter Adjustable No Trim . Lamps



Power LED

Lamp category:

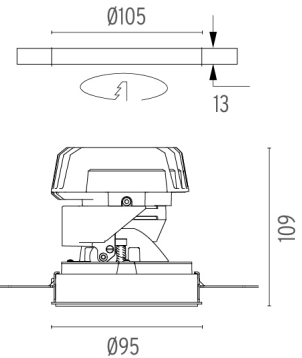
LED

Socket:

Special base

Lamp type:

Power LED



CERTIFICATIONS

