

## LIGHT SHOOTER ADJUSTABLE NO TRIM

<b>Number of heads</b>	1
<b>Mounting</b>	Ceiling recessed
<b>Lamps description</b>	Power LED 10W 910 lm 3000K CRI 90
<b>Luminaire luminous flux</b>	Extreme Cut-off. See reference number
<b>Voltage (V)</b>	220/240
<b>Environment</b>	Indoor
<b>Notes</b>	LED: All the models include an accessory for IP54. Pre-installation frame included in No Trim versions.

### OPTICAL

<b>Aiming</b>	Adjustable
<b>Light distribution symmetry</b>	Symmetric
<b>Beam angle</b>	25° Flood

### ELECTRICAL

<b>Transformer availability</b>	Included
<b>Transformer mounting</b>	Remote
<b>Transformer type</b>	Electronic
<b>Emergency</b>	Without
<b>Insulation class</b>	Class II

### PHYSICAL

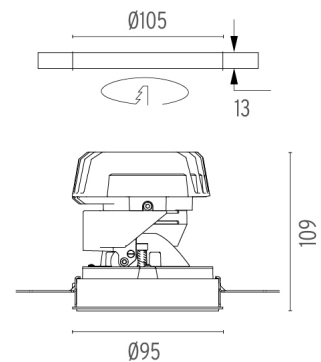
<b>Cutout diameter (mm)</b>	105
<b>Recessed depth (mm)</b>	170
<b>Construction material</b>	Aluminium
<b>Weight (kg)</b>	0,45



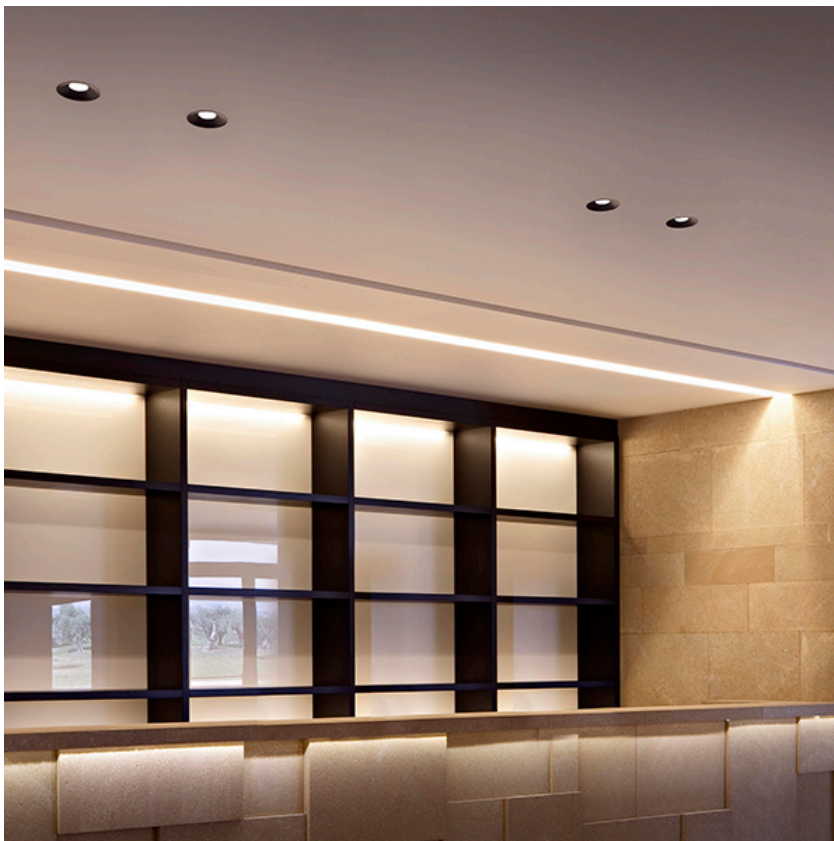
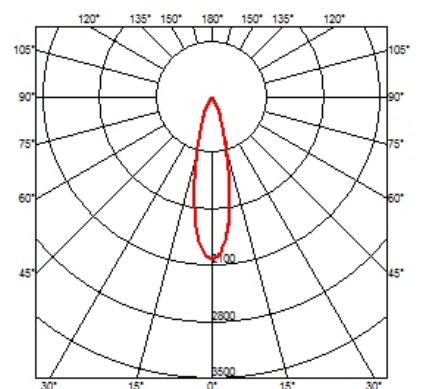
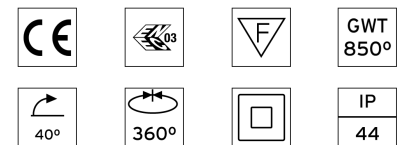
**Light Shooter Adjustable No Trim**  
designed by FLOS Architectural

High-performance embedded light fixture for LED light source. Remote 220-240V power supply included.

- 03.6521.40A - 490lm White
- 03.6521.14A - 490lm Black



### CERTIFICATIONS



## Light Shooter Adjustable No Trim . Accessories

### Optical



08.8041.68

#### Elliptical light distribution lens

Elliptical light distribution lens in 4mm thick tempered glass.



08.8412.14

#### Honeycomb

"Honeycomb" anti-glare grid made of aluminium cells.



#### Light Shooter Adjustable No Trim designed by FLOS Architectural

High-performance embedded light fixture for LED light source. Remote 220-240V power supply included.

- 03.6521.40A - 490lm White
- 03.6521.14A - 490lm Black

## Light Shooter Adjustable No Trim . Lamps



#### Power LED

#### Lamp category:

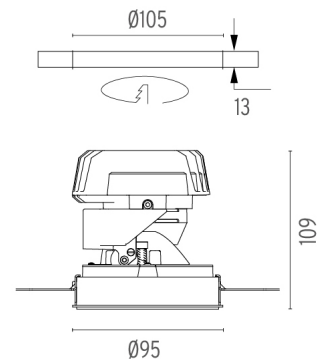
LED

#### Socket:

Special base

#### Lamp type:

Power LED



### CERTIFICATIONS

