

## ANTHONY SPOT TRACK

<b>Number of heads</b>	1
<b>Mounting</b>	Track mounting
<b>Lamps description</b>	LED Array 17W 1870 lm 3000K CRI 90
<b>Luminaire luminous flux</b>	See reference number
<b>Voltage (V)</b>	24
<b>Environment</b>	Indoor
<b>Notes</b>	Maximum 8 spots for a single driver. Ask FLOS for other combinations.

### OPTICAL

<b>Reflector finish</b>	Aluminum
<b>Aiming</b>	Adjustable
<b>Light distribution symmetry</b>	Symmetric
<b>Beam angle</b>	47° Flood

### ELECTRICAL

<b>Transformer availability</b>	Separate item
<b>Transformer mounting</b>	Remote
<b>Transformer type</b>	Electronic dimmable
<b>Emergency</b>	Without
<b>Insulation class</b>	Class III

### PHYSICAL

<b>Width (mm)</b>	188
<b>Spot diameter (mm)</b>	110
<b>Construction material</b>	Aluminium
<b>Weight (kg)</b>	0,36

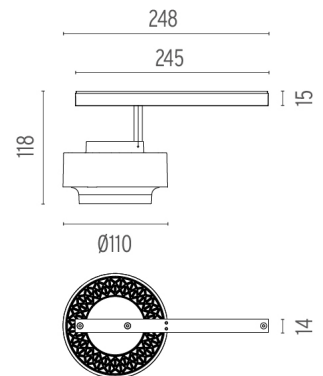


### Anthony Spot Track

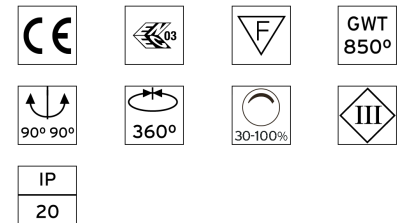
designed by FLOS Architectural

<div>Accent lighting LED module to be installed in The Tracking Magnet System.</div>

- 03.6404.40A - 1445lm White
- 03.6404.05A - 1445lm Chrome
- 03.6404.14A - 1445lm Black



### CERTIFICATIONS



## Anthony Spot Track . Accessories

### Optical



○ 08.0050.00

**Flood lens**



08.8418.68A

**Elliptical lens**



● 08.8419.14A

**Honeycomb**



**Anthony Spot Track**  
designed by FLOS Architectural

<div>Accent lighting LED module to be installed in The Tracking Magnet System.</div>

- 03.6404.40A - 1445lm White
- 03.6404.05A - 1445lm Chrome
- 03.6404.14A - 1445lm Black

## Anthony Spot Track . Lamps



**LED Array**

**Lamp category:**

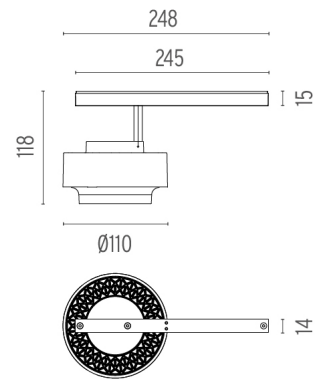
LED

**Socket:**

Special base

**Lamp type:**

LED Array



### CERTIFICATIONS

