

ANTHONY SPOT TRACK

Number of heads	1
Mounting	Track mounting
Lamps description	LED Array 17W 1870 lm 3000K CRI 90
Luminaire luminous flux	See reference number
Voltage (V)	24
Environment	Indoor
Notes	Maximum 8 spots for a single driver. Ask FLOS for other combinations.

OPTICAL

Reflector finish	Aluminum
Aiming	Adjustable
Light distribution symmetry	Symmetric
Beam angle	34° Medium

ELECTRICAL

Transformer availability	Separate item
Transformer mounting	Remote
Transformer type	Electronic dimmable
Emergency	Without
Insulation class	Class III

PHYSICAL

Width (mm)	188
Spot diameter (mm)	110
Construction material	Aluminium
Weight (kg)	0,36

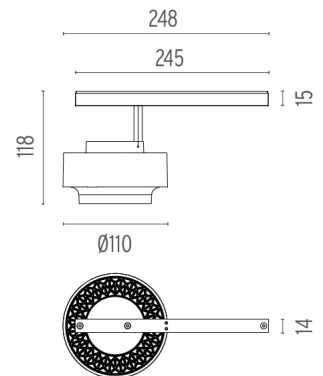


Anthony Spot Track

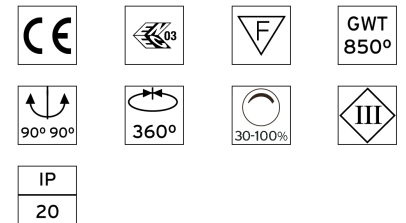
designed by FLOS Architectural

<div>Accent lighting LED module to be installed in The Tracking Magnet System.</div>

- 03.6402.40A - 1491lm White
- 03.6402.05A - 1491lm Chrome
- 03.6402.14A - 1491lm Black



CERTIFICATIONS



Anthony Spot Track . Accessories

Optical



○ 08.0050.00

Flood lens



08.8418.68A

Elliptical lens



● 08.8419.14A

Honeycomb



Anthony Spot Track
designed by FLOS Architectural

<div>Accent lighting LED module to be installed in The Tracking Magnet System.</div>

- 03.6402.40A - 1491lm White
- 03.6402.05A - 1491lm Chrome
- 03.6402.14A - 1491lm Black

Anthony Spot Track . Lamps



LED Array

Lamp category:

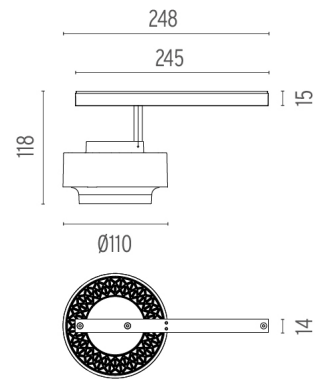
LED

Socket:

Special base

Lamp type:

LED Array



CERTIFICATIONS

