

SPOT MODULE ON BOARD DIMMER

Number of heads	1
Mounting	Track mounting
Lamps description	Power LED 8W 560 lm 2700K CRI 90
Luminaire luminous flux	See reference number
Voltage (V)	24
Environment	Indoor
Notes	Maximum 21 spots for a single driver. Running Magnet 2.0 luminaires are not compatible with Running Magnet 1.0.



OPTICAL

Aiming	Adjustable
Light distribution symmetry	Symmetric
Beam angle	14° Spot

Spot Module On Board Dimmer designed by FLOS Architectural

Accent lighting LED module to be installed in The Running Magnet 2.0 System. Built-in DC/DC electronic voltage converter.

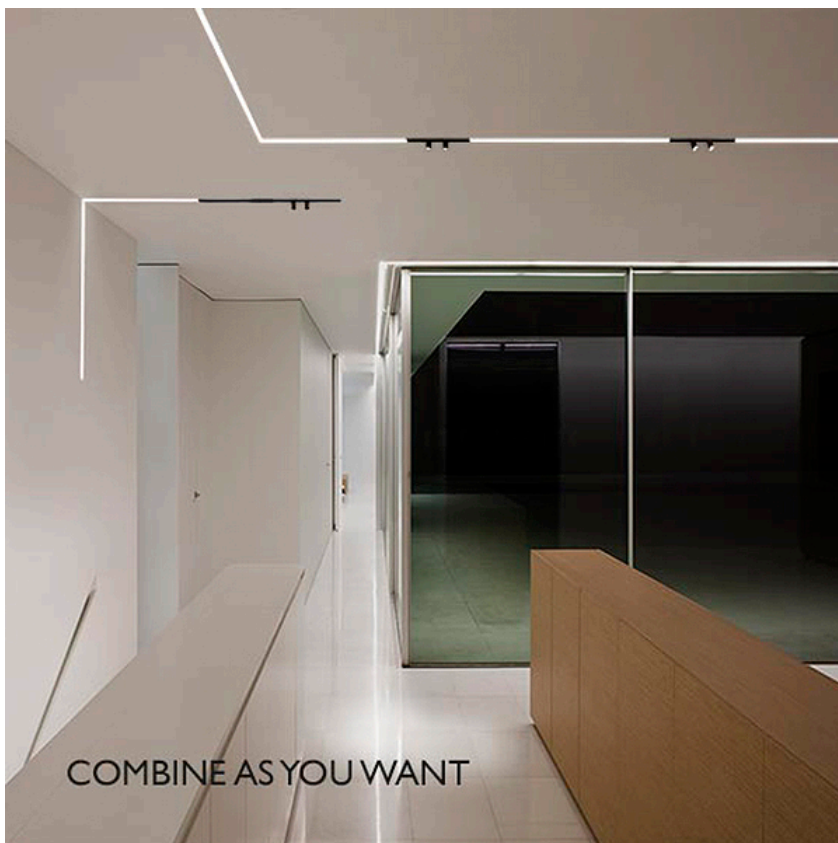
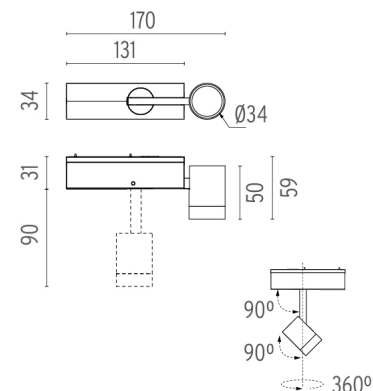
ELECTRICAL

Transformer availability	Separate item
Transformer mounting	Remote
Transformer type	Electronic dimmable
Emergency	Without
Insulation class	Class III

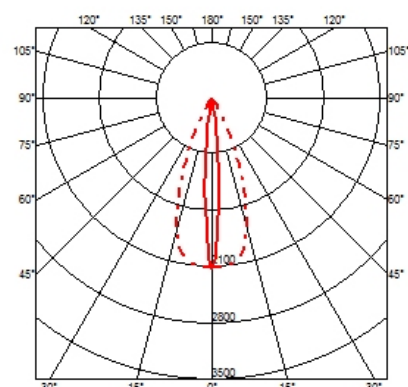
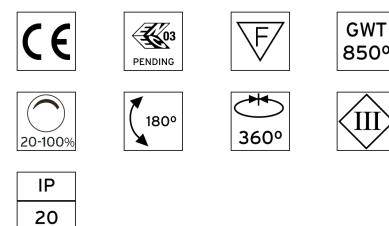
● 03.6303.14A - 403lm Black

PHYSICAL

Spot diameter (mm)	34
Weight (kg)	0,19



CERTIFICATIONS



Spot Module On Board Dimmer . Accessories

Optical



08.8760.00

Frosted medium lens

Flood lens accessory. Spot Module 20,6° / Multi Spot 21°



08.8761.00

Frosted medium lens

Wide Flood lens accessory. Spot Module 30,6° / Multi Spot 28°



08.8759.00

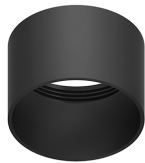
Elliptical Lens



Spot Module On Board Dimmer designed by FLOS Architectural

Accent lighting LED module to be installed in The Running Magnet 2.0 System. Built-in DC/DC electronic voltage converter.

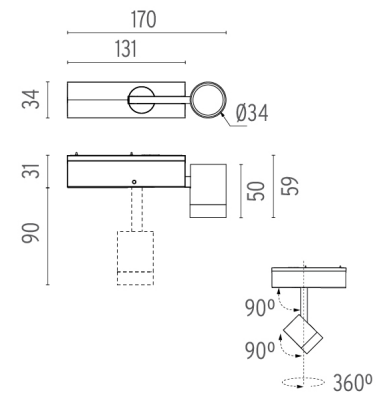
● 03.6303.14A - 403lm Black



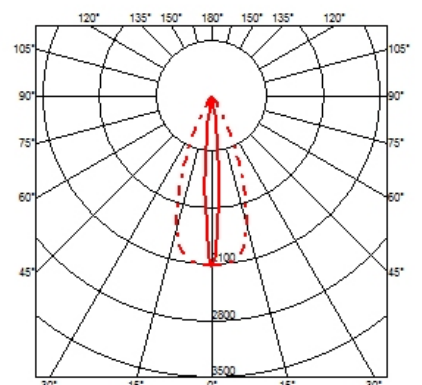
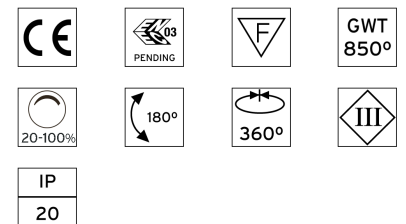
● 08.8427.14

Screening external ring for Running Magnet 2.0 spot module

Screening external ring for Running Magnet 2.0 spot module in aluminium with a black finish to enhance the visual comfort.



CERTIFICATIONS



Spot Module On Board Dimmer . Lamps



Power LED

Lamp category:
LED

Socket:
Special base

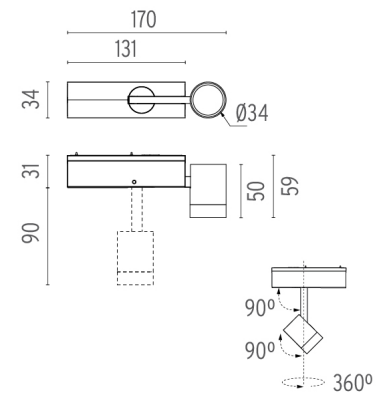
Lamp type:
Power LED



Spot Module On Board Dimmer
designed by FLOS Architectural

Accent lighting LED module to be installed in The Running Magnet 2.0 System. Built-in DC/DC electronic voltage converter.

● 03.6303.14A - 403lm Black



CERTIFICATIONS

