

## SPOT MODULE DALI VERSION

<b>Number of heads</b>	1
<b>Mounting</b>	Track mounting
<b>Lamps description</b>	Power LED 8W 600 lm 3000K CRI 90
<b>Luminaire luminous flux</b>	See reference number
<b>Voltage (V)</b>	24
<b>Environment</b>	Indoor
<b>Notes</b>	Maximum 14 spots for a single driver. Maximum 64 spots for a single DALI controller. Running Magnet 2.0 luminaires are not compatible with Running Magnet 1.0.



## OPTICAL

<b>Aiming</b>	Adjustable
<b>Light distribution symmetry</b>	Symmetric
<b>Beam angle</b>	14° Spot

## Spot Module Dali Version designed by FLOS Architectural

Accent lighting LED module to be installed in The Running Magnet 2.0 System. Built-in DC/DC electronic voltage converter.

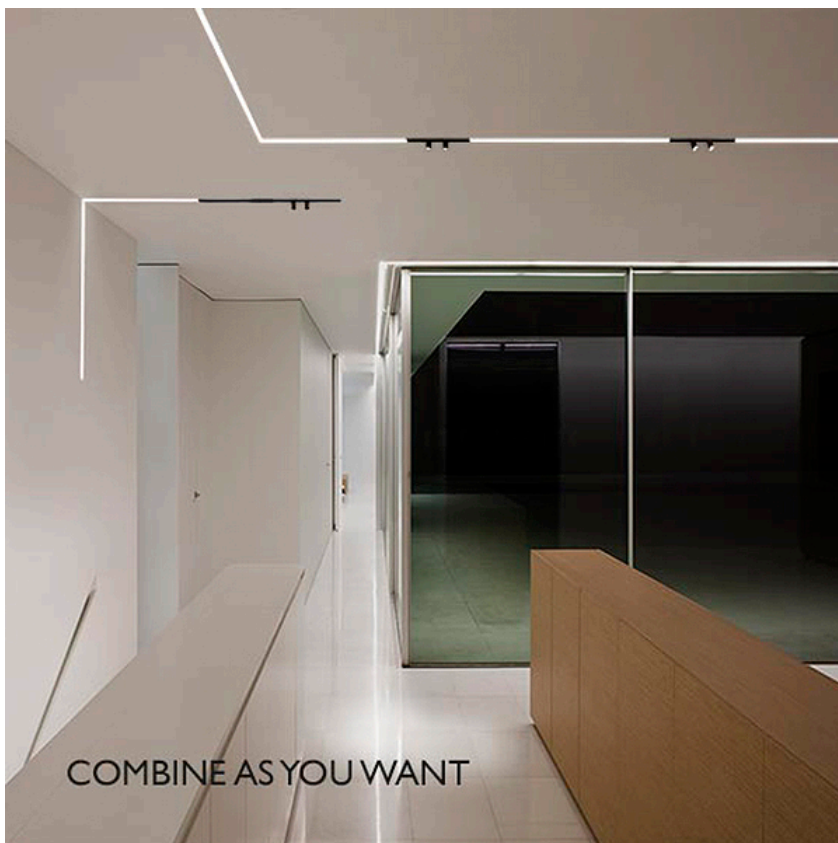
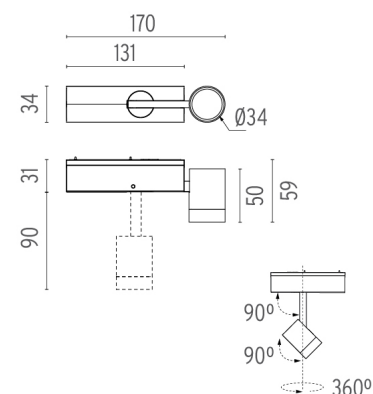
## ELECTRICAL

<b>Transformer availability</b>	Separate item
<b>Transformer mounting</b>	Remote
<b>Transformer type</b>	Electronic dimmable dali
<b>Emergency</b>	Without
<b>Insulation class</b>	Class III

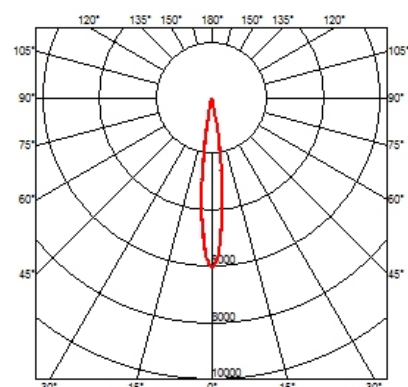
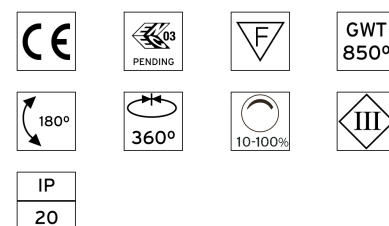
● 03.6302.14ADA - 418lm Black

## PHYSICAL

<b>Spot diameter (mm)</b>	34
<b>Weight (kg)</b>	0,19



## CERTIFICATIONS



## Spot Module Dali Version . Accessories

### Optical



08.8760.00

#### Frosted medium lens

Flood lens accessory. Spot Module 20,6° / Multi Spot 21°



08.8761.00

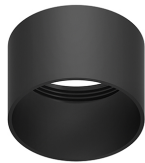
#### Frosted medium lens

Wide Flood lens accessory. Spot Module 30,6° / Multi Spot 28°



08.8759.00

#### Elliptical Lens



08.8427.14

#### Screening external ring for Running Magnet 2.0 spot module

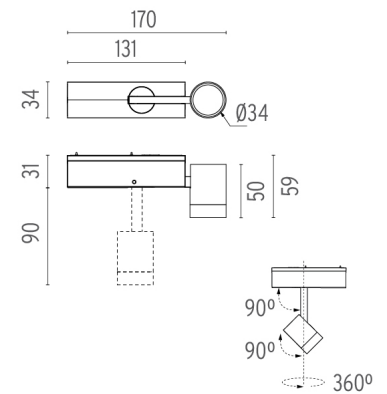
Screening external ring for Running Magnet 2.0 spot module in aluminium with a black finish to enhance the visual comfort.



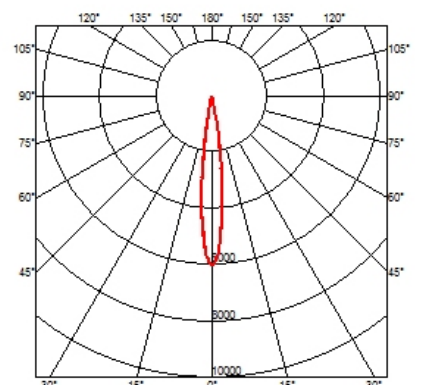
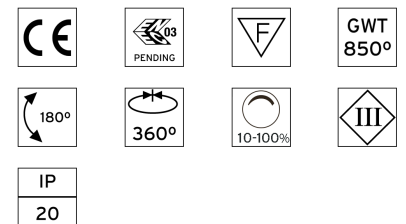
### Spot Module Dali Version designed by FLOS Architectural

Accent lighting LED module to be installed in The Running Magnet 2.0 System. Built-in DC/DC electronic voltage converter.

03.6302.14ADA - 418lm Black



### CERTIFICATIONS



## Spot Module Dali Version . Lamps



**Power LED**

**Lamp category:**  
LED

**Socket:**  
Special base

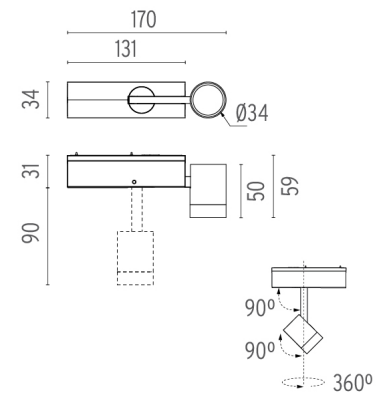
**Lamp type:**  
Power LED



**Spot Module Dali Version**  
designed by FLOS Architectural

Accent lighting LED module to be installed in The Running Magnet 2.0 System. Built-in DC/DC electronic voltage converter.

● 03.6302.14ADA - 418lm Black



### CERTIFICATIONS

