

SPOT MODULE ON BOARD DIMMER

| | |
|--------------------------------|---|
| Number of heads | 1 |
| Mounting | Track mounting |
| Lamps description | Power LED 8W 600 lm 3000K CRI 90 |
| Luminaire luminous flux | See reference number |
| Voltage (V) | 24 |
| Environment | Indoor |
| Notes | Maximum 21 spots for a single driver. Running Magnet 2.0 luminaires are not compatible with Running Magnet 1.0. |



OPTICAL

| | |
|------------------------------------|------------|
| Aiming | Adjustable |
| Light distribution symmetry | Symmetric |
| Beam angle | 14° Spot |

ELECTRICAL

| | |
|---------------------------------|---------------------|
| Transformer availability | Separate item |
| Transformer mounting | Remote |
| Transformer type | Electronic dimmable |
| Emergency | Without |
| Insulation class | Class III |

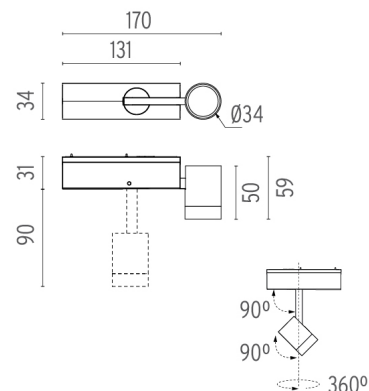
PHYSICAL

| | |
|---------------------------|------|
| Spot diameter (mm) | 34 |
| Weight (kg) | 0,19 |

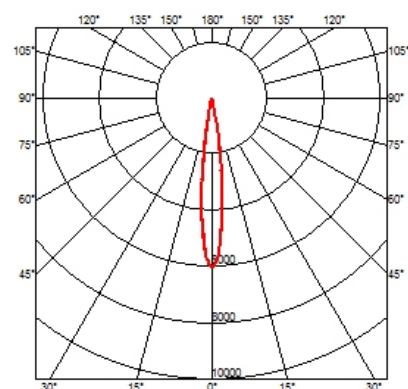
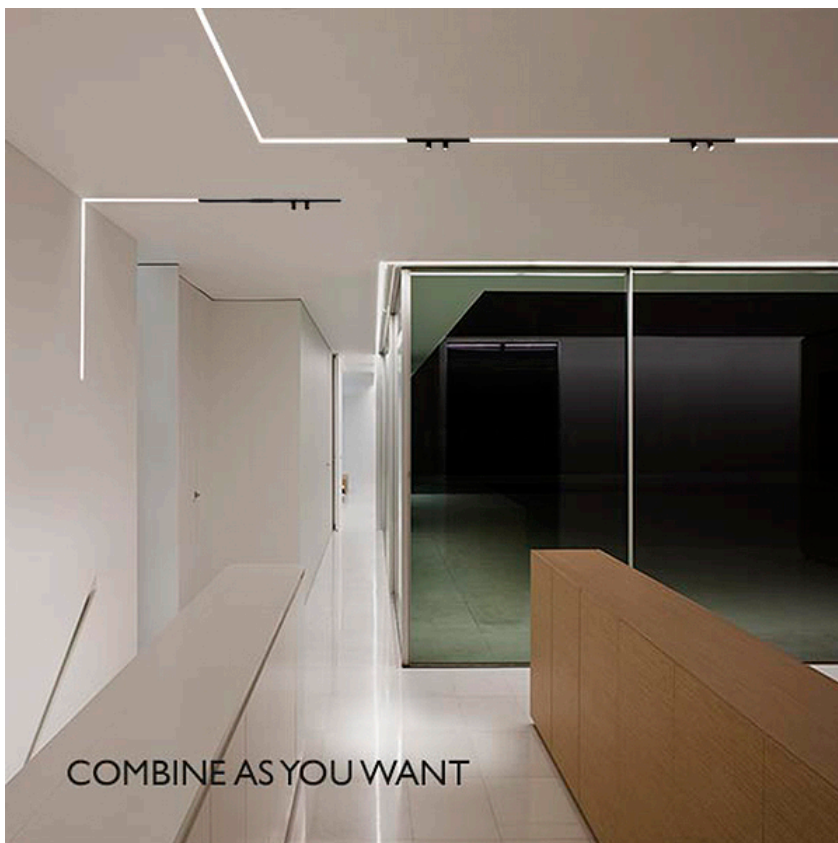
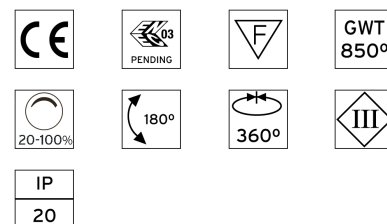
Spot Module On Board Dimmer designed by FLOS Architectural

Accent lighting LED module to be installed in The Running Magnet 2.0 System. Built-in DC/DC electronic voltage converter.

● 03.6302.14A - 418lm Black



CERTIFICATIONS



Spot Module On Board Dimmer . Accessories

Optical



08.8760.00

Frosted medium lens

Flood lens accessory. Spot Module 20,6° / Multi Spot 21°



08.8761.00

Frosted medium lens

Wide Flood lens accessory. Spot Module 30,6° / Multi Spot 28°



08.8759.00

Elliptical Lens



08.8427.14

Screening external ring for Running Magnet 2.0 spot module

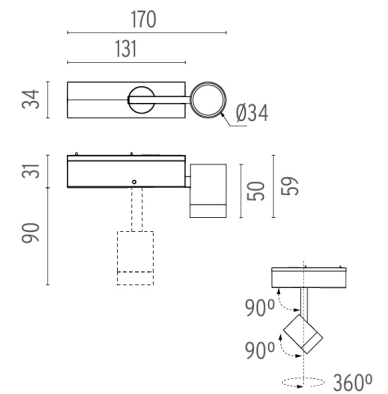
Screening external ring for Running Magnet 2.0 spot module in aluminium with a black finish to enhance the visual comfort.



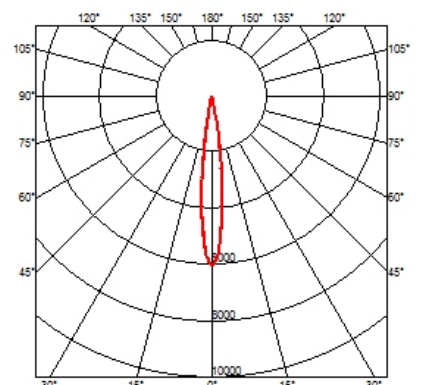
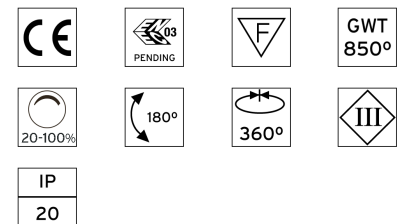
Spot Module On Board Dimmer designed by FLOS Architectural

Accent lighting LED module to be installed in The Running Magnet 2.0 System. Built-in DC/DC electronic voltage converter.

03.6302.14A - 418lm Black



CERTIFICATIONS



Spot Module On Board Dimmer . Lamps



Power LED

Lamp category:
LED

Socket:
Special base

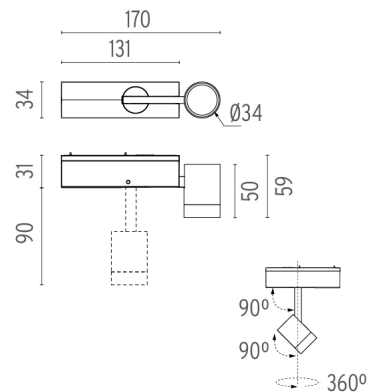
Lamp type:
Power LED



Spot Module On Board Dimmer
designed by FLOS Architectural

Accent lighting LED module to be installed in The Running Magnet 2.0 System. Built-in DC/DC electronic voltage converter.

● 03.6302.14A - 418lm Black



CERTIFICATIONS

