

COMPASS ADJUSTABLE Ø180

Number of heads	1
Mounting	Ceiling recessed
Lamps description	HIT-CRI G12 Max 70W
Voltage (V)	220/240
Environment	Indoor

OPTICAL

Light controller description	Protection glass
Reflector finish	Aluminum
Aiming	Adjustable
Light distribution symmetry	Symmetric
Beam angle	34° Flood

ELECTRICAL

Control gear availability	Separate item
Control gear type	Conventional, Electronic
Control gear mounting	Remote
Emergency	Without
Insulation class	Class I

PHYSICAL

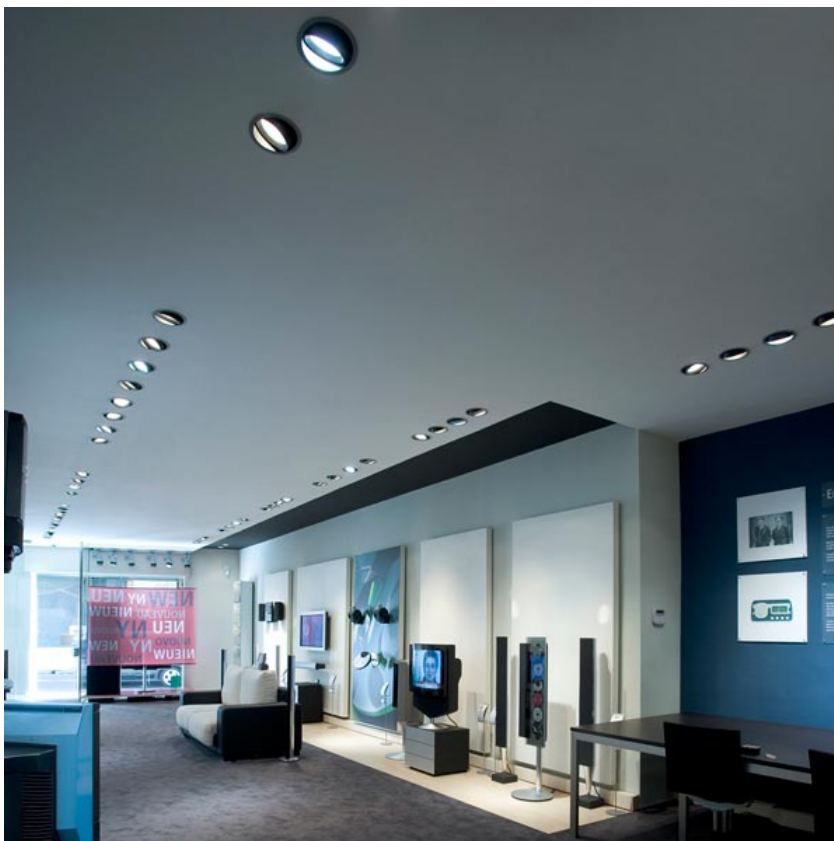
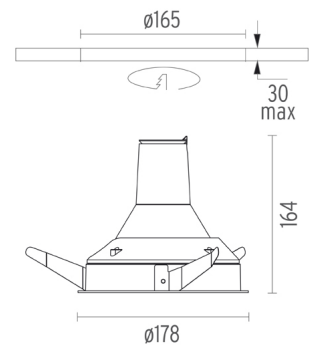
Cutout diameter (mm)	165
Diameter (mm)	180
Recessed depth (mm)	164
Construction material	Die-cast aluminum
Weight (kg)	0,95



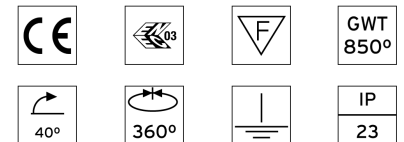
Compass Adjustable Ø180
designed by FLOS Architectural

Metal halide lamp recessed downlight.
Remote control gear not included

● 03.6130.30	Matt white
● 03.6130.02	Grey
● 03.6130.14	Matt black



CERTIFICATIONS



Compass Adjustable Ø180 . Lamps



60.6481

HIT-CRI

Lamp Watt:
35 W

Lamp category:
Metal halide

Socket:
G12

Color temperature (K):
3000 °K

Catalog reference:
60.6481

Lamp type:
HIT-CRI



60.6482

HIT-CRI

Lamp Watt:
70 W

Lamp category:
Metal halide

Socket:
G12

Color temperature (K):
3000 °K

Catalog reference:
60.6482

Lamp type:
HIT-CRI



60.6140

HIT-CRI

Lamp Watt:
70 W

Lamp category:
Metal halide

Socket:
G12

Color temperature (K):
4200 °K

Catalog reference:
60.6140

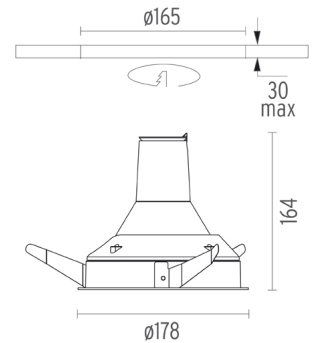
Lamp type:
HIT-CRI



Compass Adjustable Ø180
designed by FLOS Architectural

Metal halide lamp recessed downlight.
Remote control gear not included

● 03.6130.30	Matt white
● 03.6130.02	Grey
● 03.6130.14	Matt black



CERTIFICATIONS

