

LIGHT SNIPER WALL-WASHER ROUND

Number of heads	1
Mounting	Ceiling recessed
Lamps description	Power LED 11W 1060 lm 3000K CRI 90
Luminaire luminous flux	Extreme Cut-off. See reference number
Voltage (V)	220/240
Environment	Indoor

OPTICAL

Light controller description	Bare lamps
Aiming	Fixed
Light distribution symmetry	Asymmetric
Beam angle	35°

ELECTRICAL

Transformer availability	Included
Transformer mounting	Remote
Transformer type	Electronic
Emergency	Without
Insulation class	Class II

PHYSICAL

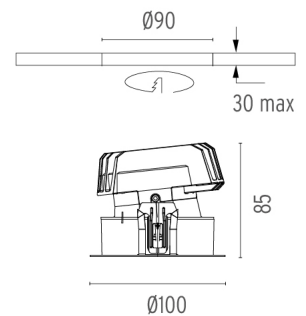
Cutout diameter (mm)	90
Diameter (mm)	100
Recessed depth (mm)	145
Construction material	Aluminium
Weight (kg)	0,49



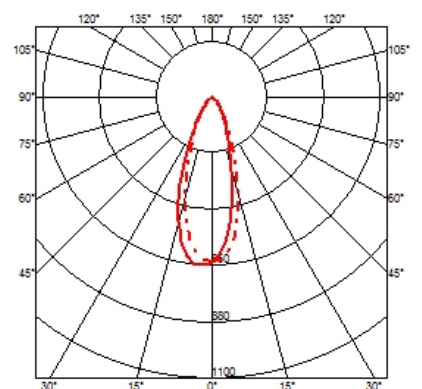
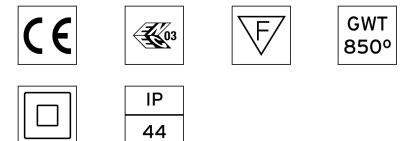
Light Sniper Wall-Washer Round
designed by FLOS Architectural

High-performance embedded light fixture for LED light source. Remote 220-240V power supply included.

03.4988.06A - 402lm Chrome



CERTIFICATIONS



Light Sniper Wall-Washer Round . Accessories

Optical



08.8041.68

Elliptical light distribution lens

Elliptical light distribution lens in 4mm thick tempered glass.



● 08.8412.14

Honeycomb

"Honeycomb" anti-glare grid made of aluminium cells.

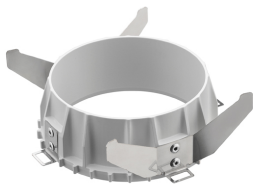


Light Sniper Wall-Washer Round designed by FLOS Architectural

High-performance embedded light fixture for LED light source. Remote 220-240V power supply included.

● 03.4988.06A - 402lm Chrome

Mounting



○ 08.8239.00B

Flush ceiling round frame accessory

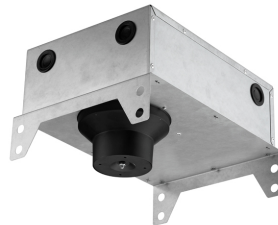


08.8243.00

08.8243.00.5U

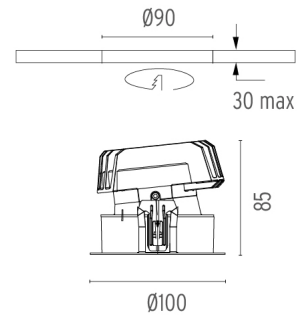
08.8243.00.1U

Ceiling protector accessory.

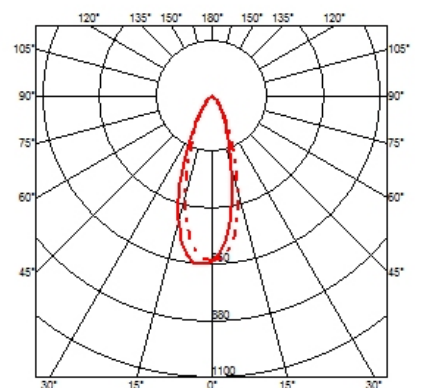


08.8250.00

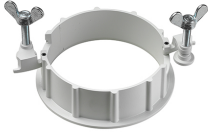
Concrete installation can.



CERTIFICATIONS



Light Sniper Wall-Washer Round . Accessories



○ 08.8229.30A

**Ceiling protector
accessory. Round**



Light Sniper Wall-Washer Round
designed by FLOS Architectural

High-performance embedded light
fixture for LED light source. Remote
220-240V power supply included.

● 03.4988.06A - 402lm Chrome

Light Sniper Wall-Washer Round . Lamps



Power LED

Lamp category:

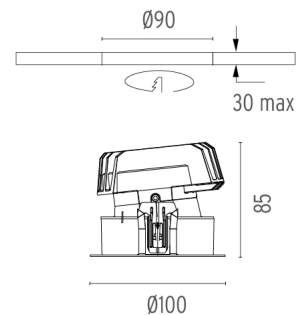
LED

Socket:

Special base

Lamp type:

Power LED



CERTIFICATIONS

