

LIGHT SNIPER ADJUSTABLE ROUND

Number of heads	1
Mounting	Ceiling recessed
Lamps description	Phosphor LED 9W 800 lm 3000K CRI 98
Luminaire luminous flux	Extreme Cut-off. See reference number
Voltage (V)	220/240
Environment	Indoor

OPTICAL

Light controller description	Bare lamps
Aiming	Adjustable
Light distribution symmetry	Symmetric
Beam angle	35°

ELECTRICAL

Transformer availability	Included
Transformer mounting	Remote
Transformer type	Electronic
Emergency	Without
Insulation class	Class II

PHYSICAL

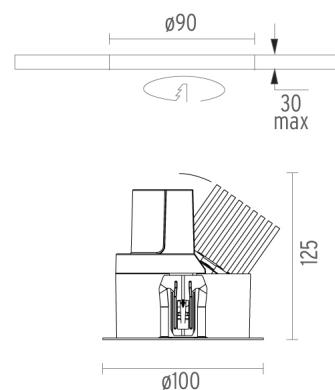
Cutout diameter (mm)	90
Diameter (mm)	100
Recessed depth (mm)	125
Construction material	Aluminium
Weight (kg)	0,51



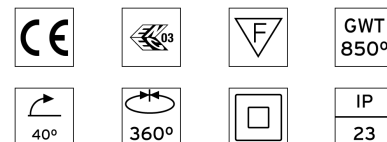
Light Sniper Adjustable Round
designed by FLOS Architectural

High-performance embedded light fixture for LED light source. Remote 220-240V power supply included.

	03.4682.06A - 248lm	Chrome
	03.4682.GLA - 248lm	Gold
	03.4682.14A - 248lm	Matt black



CERTIFICATIONS



Light Sniper Adjustable Round . Accessories

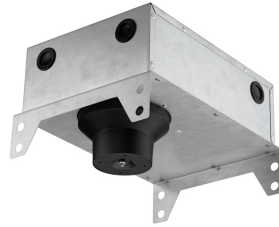
Mounting



08.8239.00B
Flush ceiling round frame accessory



08.8243.00
08.8243.00.5U
08.8243.00.1U
Ceiling protector accessory.



08.8250.00
Concrete installation can.



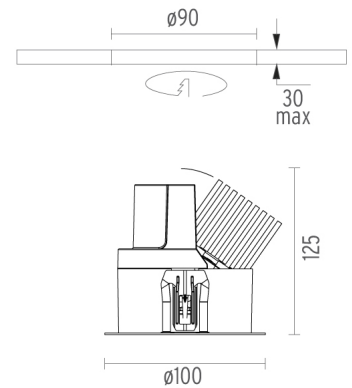
Light Sniper Adjustable Round
designed by FLOS Architectural

High-performance embedded light fixture for LED light source. Remote 220-240V power supply included.

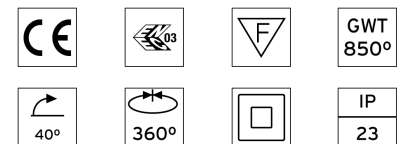
- 03.4682.06A - 248lm Chrome
- 03.4682.GLA - 248lm Gold
- 03.4682.14A - 248lm Matt black



08.8229.30A
Ceiling protector accessory. Round



CERTIFICATIONS



Light Sniper Adjustable Round . Lamps



Phosphor LED

Lamp category:
LED

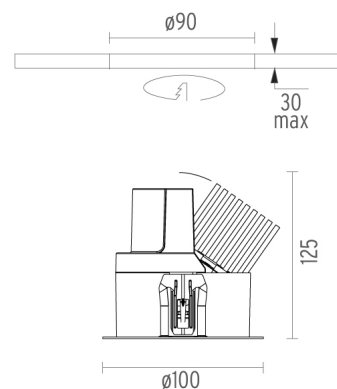
Lamp type:
Phosphor LED



Light Sniper Adjustable Round
designed by FLOS Architectural

High-performance embedded light fixture for LED light source. Remote 220-240V power supply included.

- 03.4682.06A - 248lm Chrome
- 03.4682.GLA - 248lm Gold
- 03.4682.14A - 248lm Matt black



CERTIFICATIONS

