

LIGHT SNIPER ADJUSTABLE ROUND

Number of heads	1
Mounting	Ceiling recessed
Lamps description	HI PAR 5I GX10 Max 35W
Voltage (V)	220/240
Environment	Indoor

OPTICAL

Light controller description	Bare lamps
Aiming	Adjustable
Light distribution symmetry	Symmetric
Beam angle	38°

ELECTRICAL

Control gear availability	Separate item
Control gear type	Conventional, Electronic
Control gear mounting	Remote
Emergency	Without
Insulation class	Class I




PHYSICAL

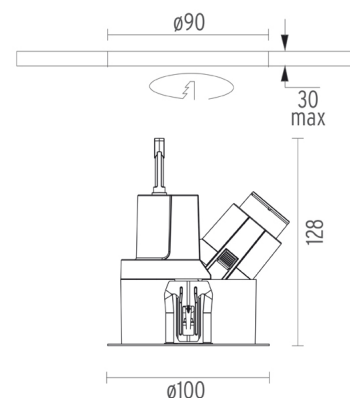
Cutout diameter (mm)	90
Diameter (mm)	100
Recessed depth (mm)	128
Construction material	Aluminium
Weight (kg)	0,36



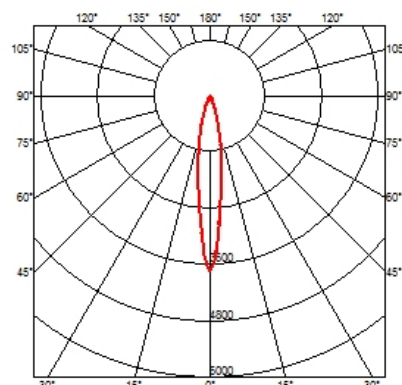
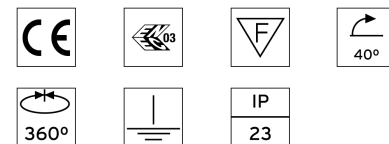
Light Sniper Adjustable Round
designed by FLOS Architectural

High performance metal halide lamp recessed downlight. Remote ballast not included

	03.4675.06	Chrome
	03.4675.GL	Gold
	03.4675.14	Matt black



CERTIFICATIONS



Light Sniper Adjustable Round . Accessories

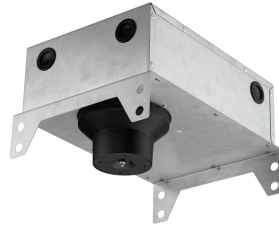
Mounting



○ 08.8239.00B
Flush ceiling round frame accessory



08.8243.00
08.8243.00.5U
08.8243.00.1U
Ceiling protector accessory.



08.8250.00
Concrete installation can.



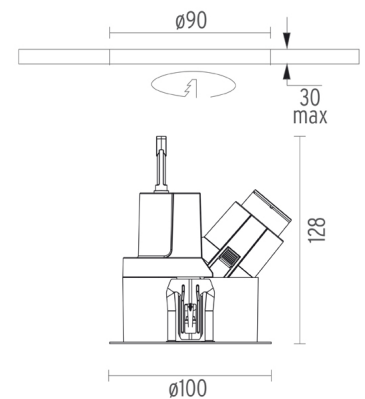
Light Sniper Adjustable Round
designed by FLOS Architectural

High performance metal halide lamp recessed downlight. Remote ballast not included

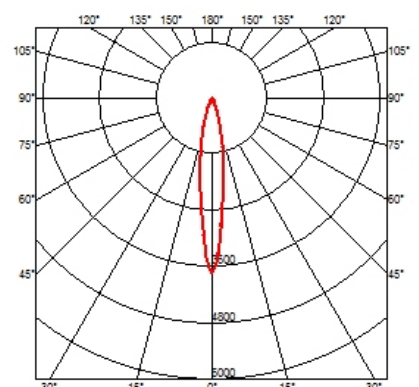
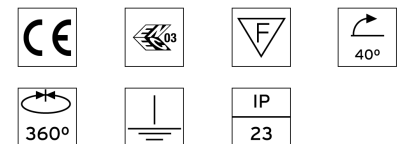
- 03.4675.06 Chrome
- 03.4675.GL Gold
- 03.4675.14 Matt black



○ 08.8229.30A
Ceiling protector accessory. Round



CERTIFICATIONS



Light Sniper Adjustable Round . Lamps



60.6576

HI PAR 51

Lamp Watt:
20 W

Lamp category:
Metal halide

Socket:
GX10

Lamp angle:
10 °

Color temperature (K):
3000 °K

Catalog reference:
60.6576

Lamp type:
HI PAR 51



60.6577

HI PAR 51

Lamp Watt:
20 W

Lamp category:
Metal halide

Socket:
GX10

Lamp angle:
25 °

Color temperature (K):
3000 °K

Catalog reference:
60.6577

Lamp type:
HI PAR 51



60.6578

HI PAR 51

Lamp Watt:
20 W

Lamp category:
Metal halide

Socket:
GX10

Lamp angle:
40 °

Color temperature (K):
3000 °K

Catalog reference:
60.6578

Lamp type:
HI PAR 51



60.6637

HI PAR 51

Lamp Watt:
35 W

Lamp category:
Metal halide

Socket:
GX10

Lamp angle:
25 °

Color temperature (K):
3000 °K

Catalog reference:
60.6637

Lamp type:
HI PAR 51



60.6638

HI PAR 51

Lamp Watt:
35 W

Lamp category:
Metal halide

Socket:
GX10

Lamp angle:
40 °

Color temperature (K):
3000 °K

Catalog reference:
60.6638

Lamp type:
HI PAR 51



60.6636

HI PAR 51

Lamp Watt:
35 W

Lamp category:
Metal halide

Socket:
GX10

Lamp angle:
10 °

Color temperature (K):
3000 °K

Catalog reference:
60.6636

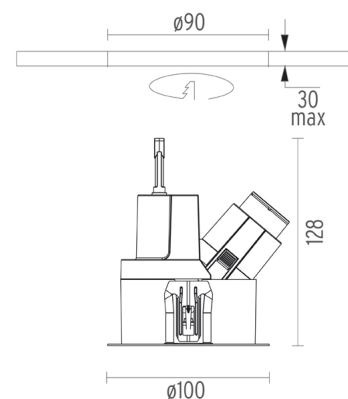
Lamp type:
HI PAR 51



Light Sniper Adjustable Round
designed by FLOS Architectural

High performance metal halide lamp
recessed downlight. Remote ballast
not included

- 03.4675.06 Chrome
- 03.4675.GL Gold
- 03.4675.14 Matt black



CERTIFICATIONS

