

KAP Ø145 WALL-WASHER I-10V

Number of heads	1
Mounting	Ceiling recessed
Lamps description	LED Array 17W 1800 lm 2700K CRI 90
Luminaire luminous flux	Extreme Cut-off. See reference number
Environment	Indoor
Notes	Pre-installation frame. To be ordered separately.

OPTICAL

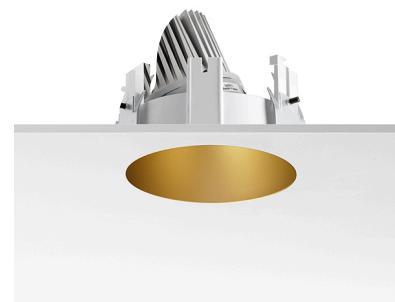
Aiming	Fixed
Light distribution symmetry	Asymmetric
Beam angle	56°

ELECTRICAL

Transformer availability	Included
Transformer mounting	Remote
Transformer type	Electronic dimmable I-10V
Emergency	Without
Insulation class	Class II

PHYSICAL

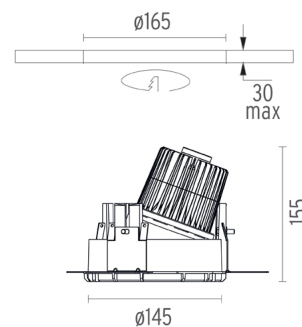
Cutout diameter (mm)	165
Diameter (mm)	145
Recessed depth (mm)	155
Construction material	Die-cast aluminum
Weight (kg)	0,94



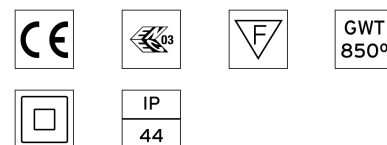
Kap Ø145 Wall-Washer I-10V
designed by FLOS Architectural

Recessed luminaire with LED light source. Remote electronic transformer 220/240V included.

- 03.4589.BI.IV - 1189lm White
- 03.4589.GL.IV - 1131lm Gold
- 03.4589.BU.IV - 980lm Blue
- 03.4589.74.IV - 999lm Black
- 03.4589.CU.IV - 1117lm Copper

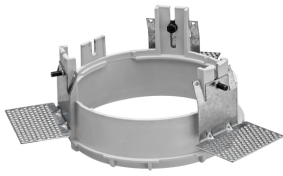


CERTIFICATIONS



Kap Ø145 Wall-Washer I-10V . Accessories

Mounting



○ 08.8251.00

Installation Frame No Trim

○ 08.8491.30

● 08.8491.GL

● 08.8491.BU

● 08.8491.I4

Installation Frame Trim

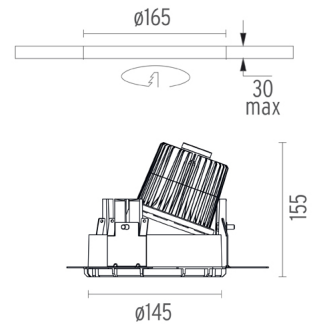
Installation frame Kap ø145/
Kap ø145 wall washer.
Copper finish trim frame not
available. Combine with
with the or any of the other
finishes according to the
desired final aesthetic effect.



Kap Ø145 Wall-Washer I-10V designed by FLOS Architectural

Recessed luminaire with LED light
source. Remote electronic
transformer 220/240V included.

- 03.4589.BI.IV - 1189lm White
- 03.4589.GL.IV - 1131lm Gold
- 03.4589.BU.IV - 980lm Blue
- 03.4589.74.IV - 999lm Black
- 03.4589.CU.IV - 1117lm Copper



Kap Ø145 Wall-Washer I-10V . Lamps



LED Array

Lamp category:

LED

Socket:

Special base

Lamp type:

LED Array

CERTIFICATIONS

