

KAP Ø145 DEEP I-10V

Number of heads	1
Mounting	Ceiling recessed
Lamps description	LED Array 17W 1800 lm 2700K CRI 90
Luminaire luminous flux	Extreme Cut-off. See reference number
Environment	Indoor
Notes	Pre-installation frame. To be ordered separately.

OPTICAL

Aiming	Fixed
Light distribution symmetry	Symmetric
Beam angle	34°

ELECTRICAL

Transformer availability	Included
Transformer mounting	Remote
Transformer type	Electronic dimmable I-10V
Emergency	Without
Insulation class	Class II

PHYSICAL

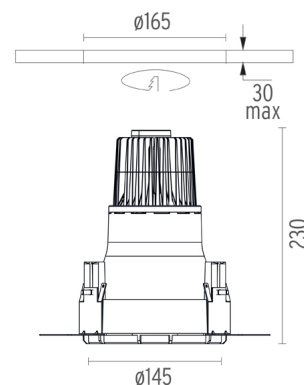
Cutout diameter (mm)	165
Diameter (mm)	145
Recessed depth (mm)	230
Construction material	Die-cast aluminum
Weight (kg)	0,99



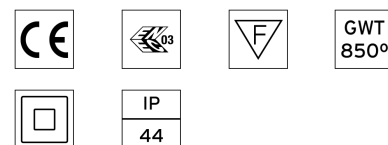
Kap Ø145 Deep I-10V
designed by FLOS Architectural

Recessed luminaire with LED light source. Remote electronic transformer 220/240V included.

●	03.4587.BI.IV - 936lm	White
●	03.4587.GL.IV - 923lm	Gold
●	03.4587.BU.IV - 573lm	Blue
●	03.4587.74.IV - 615lm	Black
●	03.4587.CU.IV - 842lm	Copper

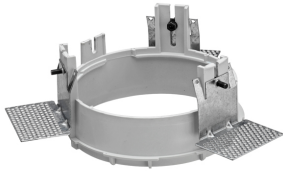


CERTIFICATIONS



Kap Ø145 Deep I-10V . Accessories

Mounting



08.8156.00

Installation Frame No Trim



08.8421.00

Installation can for concrete KAP Ø145



08.8491.30

08.8491.GL

08.8491.BU

08.8491.14

Installation Frame Trim

Installation frame Kap Ø145/
Kap Ø145 wall washer.
Copper finish trim frame not available. Combine with white or any of the other finishes according to the desired final aesthetic effect.



Kap Ø145 Deep I-10V
designed by FLOS Architectural

Recessed luminaire with LED light source. Remote electronic transformer 220/240V included.

- 03.4587.BI.IV - 936lm White
- 03.4587.GL.IV - 923lm Gold
- 03.4587.BU.IV - 573lm Blue
- 03.4587.74.IV - 615lm Black
- 03.4587.CU.IV - 842lm Copper

Kap Ø145 Deep I-10V . Lamps



LED Array

Lamp category:

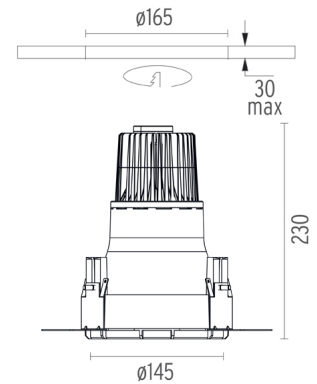
LED

Socket:

Special base

Lamp type:

LED Array



CERTIFICATIONS

