

KAP Ø145 WALL-WASHER DALI

Number of heads	1
Mounting	Ceiling recessed
Lamps description	Phosphor LED 17W 1400 lm 2700K CRI 98
Luminaire luminous flux	Extreme Cut-off. See reference number
Environment	Indoor
Notes	Pre-installation frame. To be ordered separately.

OPTICAL

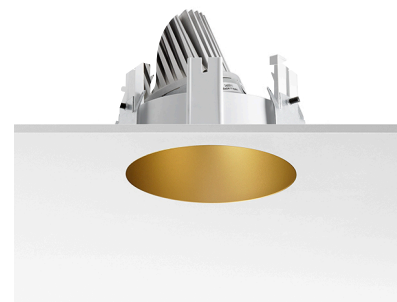
Aiming	Fixed
Light distribution symmetry	Asymmetric
Beam angle	59°

ELECTRICAL

Transformer availability	Included
Transformer mounting	Remote
Transformer type	Electronic dimmable dali
Emergency	Without
Insulation class	Class II

PHYSICAL

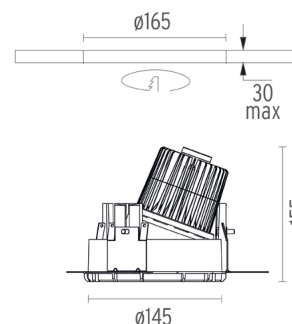
Cutout diameter (mm)	165
Diameter (mm)	145
Recessed depth (mm)	155
Construction material	Die-cast aluminum
Weight (kg)	0,94



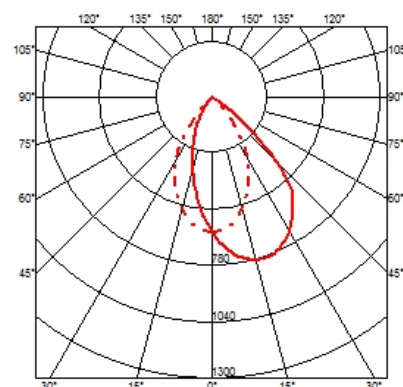
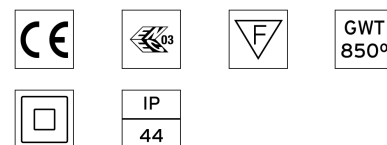
Kap Ø145 Wall-Washer Dali
designed by FLOS Architectural

Recessed luminaire with LED light source. Remote electronic transformer 220/240V included.

- 03.4498.B1BDA - 872lm White
- 03.4498.GLBDA - 871lm Gold
- 03.4498.BUBDA - 736lm Blue
- 03.4498.74BDA - 747lm Black
- 03.4498.CUBDA - 879lm Copper

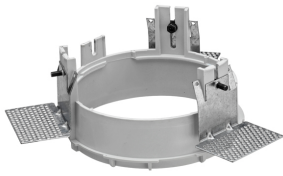


CERTIFICATIONS



Kap Ø145 Wall-Washer Dali . Accessories

Mounting



○ 08.8251.00

Installation Frame No Trim

○ 08.8491.30

● 08.8491.GL

● 08.8491.BU

● 08.8491.14

Installation Frame Trim

Installation frame Kap ø145/ Kap ø145 wall washer. Copper finish trim frame not available. Combine with white or any of the other finishes according to the desired final aesthetic effect.



Kap Ø145 Wall-Washer Dali
designed by FLOS Architectural

Recessed luminaire with LED light source. Remote electronic transformer 220/240V included.

- 03.4498.BIBDA - 872lm White
- 03.4498.GLBDA - 871lm Gold
- 03.4498.BUBDA - 736lm Blue
- 03.4498.74BDA - 747lm Black
- 03.4498.CUBDA - 879lm Copper

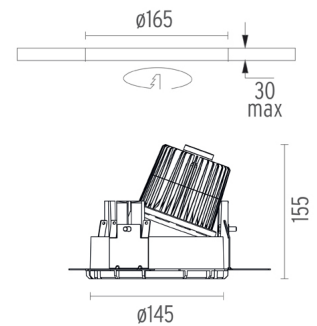
Kap Ø145 Wall-Washer Dali . Lamps



Phosphor LED

Lamp category:
LED

Lamp type:
Phosphor LED



CERTIFICATIONS

