

KAP Ø145 DEEP I-10V

Number of heads	1
Mounting	Ceiling recessed
Lamps description	Phosphor LED 17W 1400 lm 3000K CRI 98
Luminaire luminous flux	Extreme Cut-off. See reference number
Environment	Indoor
Notes	Pre-installation frame. To be ordered separately.

OPTICAL

Aiming	Fixed
Light distribution symmetry	Symmetric
Beam angle	37°

ELECTRICAL

Transformer availability	Included
Transformer mounting	Remote
Transformer type	Electronic dimmable I-10V
Emergency	Without
Insulation class	Class II

PHYSICAL

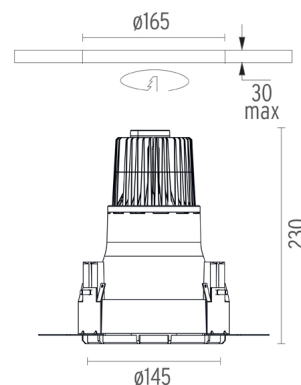
Cutout diameter (mm)	165
Diameter (mm)	145
Recessed depth (mm)	230
Construction material	Die-cast aluminum



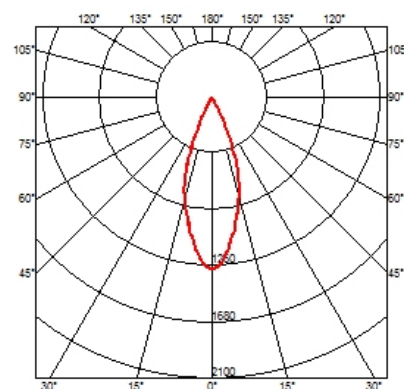
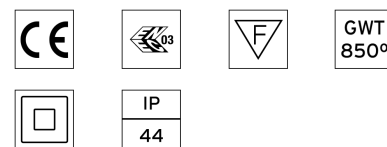
Kap Ø145 Deep I-10V
designed by FLOS Architectural

Recessed luminaire with LED light source. Remote electronic transformer 220/240V included.

- 03.4482.BICIV - 694lm White
- 03.4482.GLCIV - 678lm Gold
- 03.4482.BUCIV - 406lm Blue
- 03.4482.74CIV - 450lm Black
- 03.4482.CUCIV - 662lm Copper

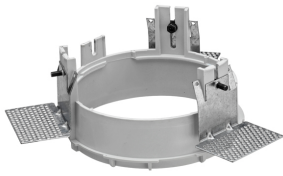


CERTIFICATIONS



Kap Ø145 Deep I-10V . Accessories

Mounting



08.8156.00

Installation Frame No Trim



08.8420.00

Installation can for concrete KAP ø105



08.8491.30

08.8491.GL

08.8491.BU

08.8491.14

Installation Frame Trim

Installation frame Kap ø145/
Kap ø145 wall washer.
Copper finish trim frame not available. Combine with white or any of the other finishes according to the desired final aesthetic effect.



Kap Ø145 Deep I-10V
designed by FLOS Architectural

Recessed luminaire with LED light source. Remote electronic transformer 220/240V included.

- 03.4482.BICIV - 694lm White
- 03.4482.GLCIV - 678lm Gold
- 03.4482.BUCIV - 406lm Blue
- 03.4482.74CIV - 450lm Black
- 03.4482.CUCIV - 662lm Copper

Kap Ø145 Deep I-10V . Lamps



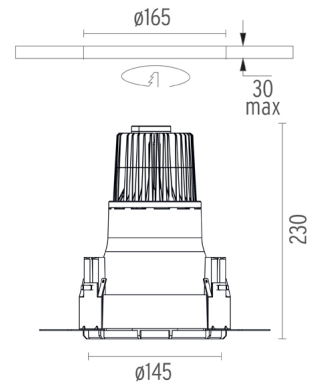
Phosphor LED

Lamp category:

LED

Lamp type:

Phosphor LED



CERTIFICATIONS

