

## KAP Ø145 WALL-WASHER I-10V

<b>Number of heads</b>	1
<b>Mounting</b>	Ceiling recessed
<b>Lamps description</b>	Phosphor LED 17W 1400 lm 3000K CRI 98
<b>Luminaire luminous flux</b>	Extreme Cut-off. See reference number
<b>Environment</b>	Indoor
<b>Notes</b>	Pre-installation frame. To be ordered separately.

### OPTICAL

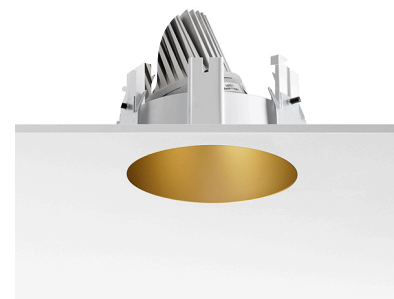
<b>Aiming</b>	Fixed
<b>Light distribution symmetry</b>	Asymmetric
<b>Beam angle</b>	59°

### ELECTRICAL

<b>Transformer availability</b>	Included
<b>Transformer mounting</b>	Remote
<b>Transformer type</b>	Electronic dimmable I-10V
<b>Emergency</b>	Without
<b>Insulation class</b>	Class II

### PHYSICAL

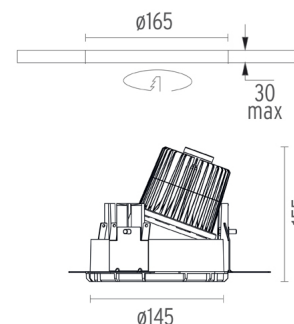
<b>Cutout diameter (mm)</b>	165
<b>Diameter (mm)</b>	145
<b>Recessed depth (mm)</b>	155
<b>Construction material</b>	Die-cast aluminum
<b>Weight (kg)</b>	0,94



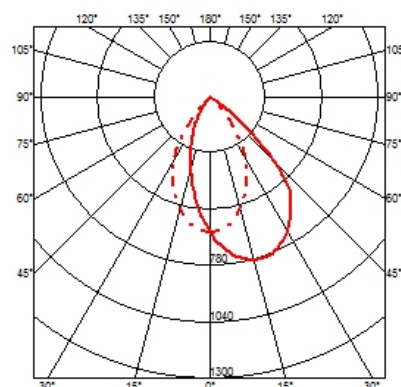
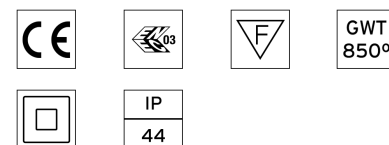
**Kap Ø145 Wall-Washer I-10V**  
designed by FLOS Architectural

Recessed luminaire with LED light source. Remote electronic transformer 220/240V included.

- 03.4475.BICIV - 872lm White
- 03.4475.GLCIV - 871lm Gold
- 03.4475.BUCIV - 736lm Blue
- 03.4475.74CIV - 747lm Black
- 03.4475.CUCIV - 879lm Copper

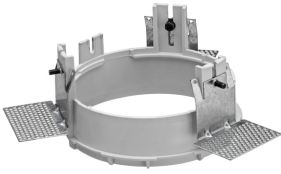


### CERTIFICATIONS



## Kap Ø145 Wall-Washer I-10V . Accessories

### Mounting



○ 08.8251.00

**Installation Frame No Trim**

○ 08.8491.30

● 08.8491.GL

● 08.8491.BU

● 08.8491.14

### Installation Frame Trim

Installation frame Kap ø145/  
Kap ø145 wall washer.  
Copper finish trim frame not  
available. Combine with  
with or any of the other  
finishes according to the  
desired final aesthetic effect.



**Kap Ø145 Wall-Washer I-10V**  
designed by FLOS Architectural

Recessed luminaire with LED light  
source. Remote electronic  
transformer 220/240V included.

- 03.4475.BICIV - 872lm White
- 03.4475.GLCIV - 871lm Gold
- 03.4475.BUCIV - 736lm Blue
- 03.4475.74CIV - 747lm Black
- 03.4475.CUCIV - 879lm Copper

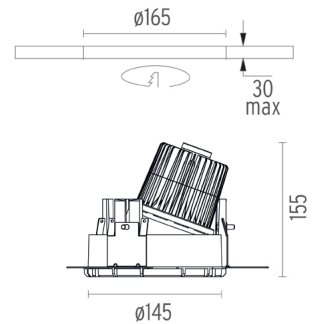
## Kap Ø145 Wall-Washer I-10V . Lamps



### Phosphor LED

**Lamp category:**  
LED

**Lamp type:**  
Phosphor LED



### CERTIFICATIONS

