

# FLOS

## LED CURTAIN 300 MM

<b>Number of heads</b>	1
<b>Mounting</b>	Ceiling recessed
<b>Lamps description</b>	Power LED 8,7W 1050 lm 4000K CRI 90
<b>Luminaire luminous flux</b>	See reference number
<b>Voltage (V)</b>	24
<b>Environment</b>	Indoor
<b>Notes</b>	6 LEDs

### OPTICAL

<b>Aiming</b>	Fixed
<b>Light distribution symmetry</b>	Symmetric
<b>Beam angle</b>	12° / 51°

### ELECTRICAL

<b>Transformer availability</b>	Separate item
<b>Transformer mounting</b>	Remote
<b>Transformer type</b>	Electronic
<b>Emergency</b>	Without
<b>Insulation class</b>	Class III

### PHYSICAL

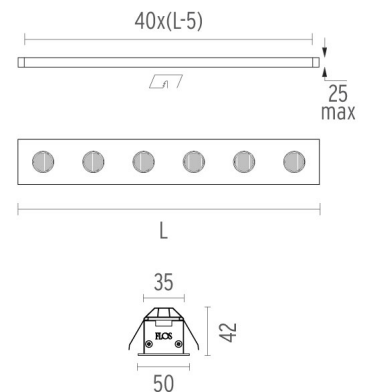
<b>Length (mm)</b>	300
<b>Construction material</b>	Extruded aluminum
<b>Weight (kg)</b>	0,60



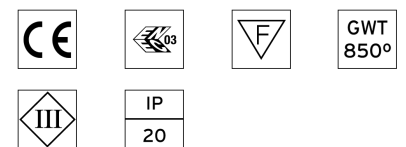
**LED Curtain 300 mm**  
designed by FLOS Architectural

Embedded luminaire for direct lighting with LED. Elliptical lens 15°x50° incorporated. Remote transformer not included.

● 03.3921.30C - 503lm White



### CERTIFICATIONS



## LED Curtain 300 mm . Accessories

### Power Supply



60.8495

**Electronic transformer with constant voltage (24V) for LED. 20W**  
Electronic transformer with constant voltage (24V) for LED. 100/240V.

Maximum length of 1.5 mm<sup>2</sup> secondary conductor (m): 5



60.8496

**Electronic transformer with constant voltage (24V) for LED. 60W**  
Electronic transformer with constant voltage (24V) for LED. 100/240V.

Maximum length of 1.5 mm<sup>2</sup> secondary conductor (m): 5



60.8497

**Electronic transformer with constant voltage (24V) for LED. 100W**  
Electronic transformer with constant voltage (24V) for LED. 100/240V.

Maximum length of 1.5 mm<sup>2</sup> secondary conductor (m): 5

Maximum length of 2.5 mm<sup>2</sup> secondary conductor (m): 10



60.8515

**Electronic transformer with constant voltage (24V) for LED. 60W**  
Electronic transformer with constant voltage (24V) for LED. 60W. 100/240V. For independent use.

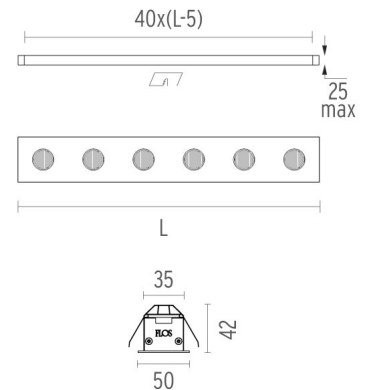
Maximum length of 1.5 mm<sup>2</sup> secondary conductor (m): 5



**LED Curtain 300 mm**  
designed by FLOS Architectural

Embedded luminaire for direct lighting with LED. Elliptical lens 15°x50° incorporated. Remote transformer not included.

03.3921.30C - 503lm White



### CERTIFICATIONS



## LED Curtain 300 mm . Accessories

### Electrical



06.1032.00

#### Connection cable L: 100 mm

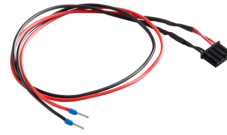
Connection cable between modules with Tyco fast connection cable.



06.1033.00

#### Connection cable L: 500 mm

Connection cable between modules with Tyco fast connection cable.



06.1034.00

#### Power cable L: 500 mm

Power cable with Tyco fast connection cable. Maximum supply length 3 metres.



#### LED Curtain 300 mm designed by FLOS Architectural

Embedded luminaire for direct lighting with LED. Elliptical lens 15°x50° incorporated. Remote transformer not included.

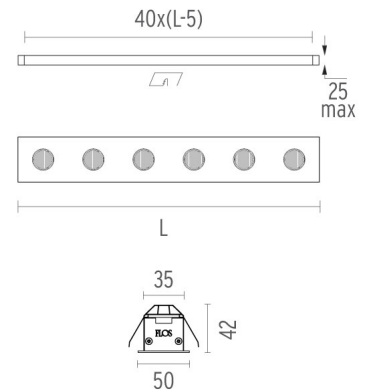
03.3921.30C - 503lm White



60.8640

#### Dimmable I-10V Control Unit

Dimmable I-10V control unit with 1 channel for 24V LED modules. Power supply not included. Max. 120 W - 5A.



#### CERTIFICATIONS



## LED Curtain 300 mm . Lamps



**Power LED**

**Lamp category:**  
LED

**Socket:**  
Special base

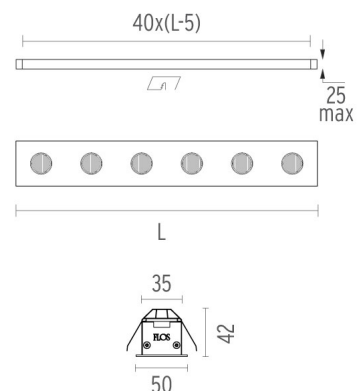
**Lamp type:**  
Power LED



**LED Curtain 300 mm**  
designed by FLOS Architectural

Embedded luminaire for direct lighting with LED. Elliptical lens 15°x50° incorporated. Remote transformer not included.

● 03.3921.30C - 503lm    White



### CERTIFICATIONS

