

COMPASS OPAL C Ø90

Number of heads	1
Mounting	Ceiling recessed
Lamps description	QT-12 GY6.35 Max 50W
Bezel diameter	90
Voltage (V)	12
Environment	Indoor

OPTICAL

Light controller description	Protection glass
Reflector finish	Aluminum
Aiming	Fixed
Light distribution symmetry	Symmetric
Beam angle	49°

ELECTRICAL

Transformer availability	Separate item
Transformer mounting	Remote
Emergency	Without
Insulation class	Class III

PHYSICAL

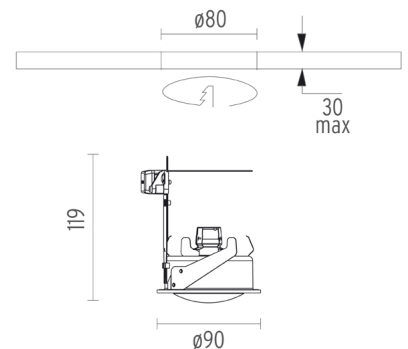
Cutout shape	Round
Cutout diameter (mm)	80
Diameter (mm)	90
Recessed depth (mm)	119
Construction material	Die-cast aluminum
Weight (kg)	0,40



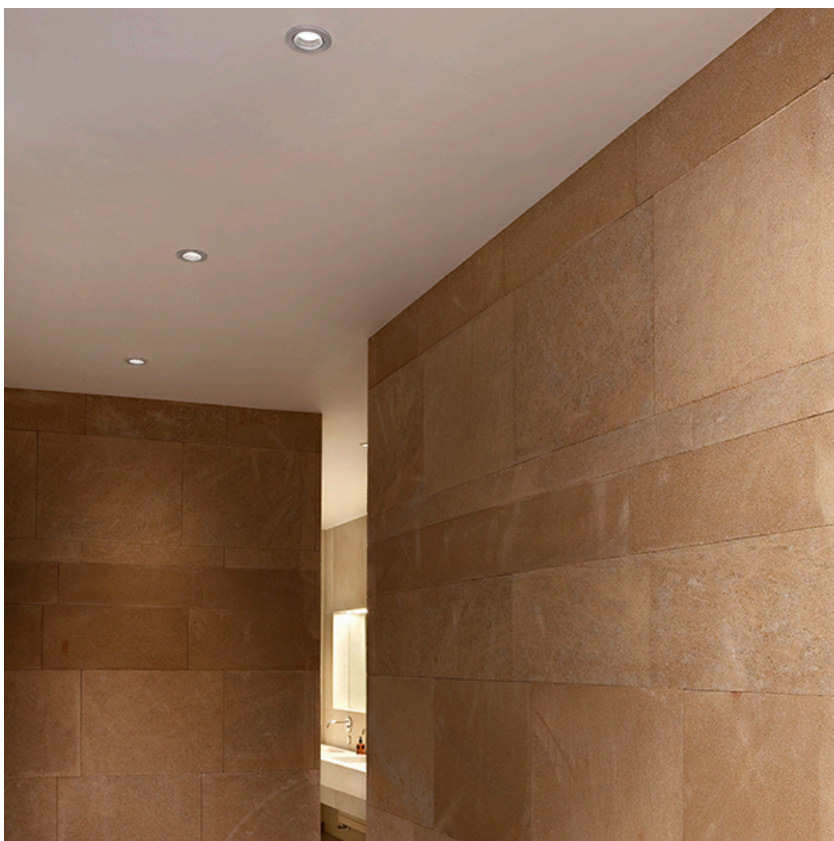
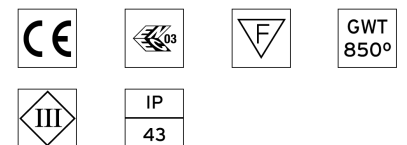
Compass Opal C Ø90
designed by FLOS Architectural

12V halogen lamp recessed downlight.
Remote transformer not included

● 03.3539.30	Matt white
● 03.3539.02	Grey
● 03.3539.14	Matt black



CERTIFICATIONS



Compass Opal C Ø90 . Lamps



60.6300

QT-12

Lamp Watt:
35 W

Lamp category:
Halogen low voltage

Socket:
GY6.35

Color temperature (K):
3000 °K

Catalog reference:
60.6300

Lamp type:
QT-12



60.6303

QT-12

Lamp Watt:
50 W

Lamp category:
Halogen low voltage

Socket:
GY6.35

Color temperature (K):
3000 °K

Catalog reference:
60.6303

Lamp type:
QT-12

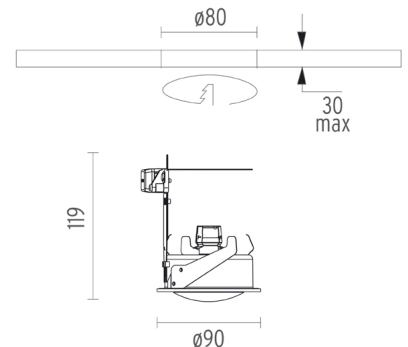


Compass Opal C Ø90

designed by FLOS Architectural

12V halogen lamp recessed downlight.
Remote transformer not included

● 03.3539.30	Matt white
● 03.3539.02	Grey
● 03.3539.14	Matt black



CERTIFICATIONS

