

## COMPASS ADJUSTABLE Ø162

<b>Number of heads</b>	1
<b>Mounting</b>	Ceiling recessed
<b>Lamps description</b>	QT-12 GY6.35 Max 100W
<b>Bezel diameter</b>	162
<b>Voltage (V)</b>	12
<b>Environment</b>	Indoor

### OPTICAL

<b>Light controller description</b>	Protection Glass
<b>Reflector finish</b>	Aluminum
<b>Aiming</b>	Adjustable
<b>Light distribution symmetry</b>	Symmetric
<b>Beam angle</b>	6° Super Spot

### ELECTRICAL

<b>Transformer availability</b>	Separate item
<b>Transformer mounting</b>	Remote
<b>Emergency</b>	Without
<b>Insulation class</b>	Class III

### PHYSICAL

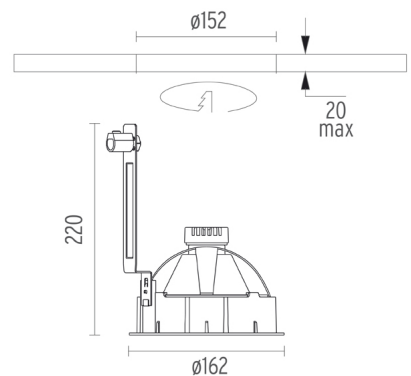
<b>Cutout shape</b>	Round
<b>Cutout diameter (mm)</b>	152
<b>Diameter (mm)</b>	162
<b>Recessed depth (mm)</b>	220
<b>Construction material</b>	Die-cast aluminum
<b>Weight (kg)</b>	0,74



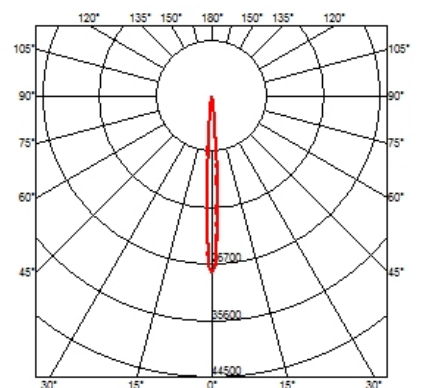
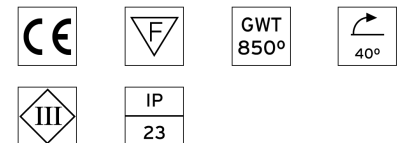
**Compass Adjustable Ø162**  
designed by FLOS Architectural

12V halogen lamp recessed downlight.  
Remote transformer not included

● 03.3534.30	Matt white
● 03.3534.02	Grey
● 03.3534.14	Matt black



### CERTIFICATIONS



## Compass Adjustable Ø162 . Accessories

### Optical



● 08.8033.14

#### Screening cylinder

Screening cylinder with rotating pin in a black thermoplastic material



08.8020.68

#### Elliptical light distribution lens

Elliptical light distribution lens in 4 mm thick tempered glass.



● 08.8035.14

#### Honeycomb

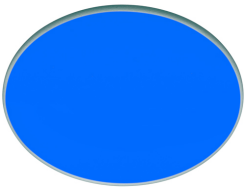
Anti-glare grid in aluminium cells with black liquid paint finish



**Compass Adjustable Ø162**  
designed by FLOS Architectural

12V halogen lamp recessed downlight.  
Remote transformer not included

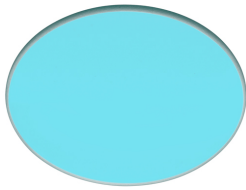
- 03.3534.30 Matt white
- 03.3534.02 Grey
- 03.3534.14 Matt black



● 08.8019.64.OD

#### Blue filter

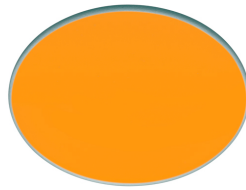
Colored filters in 3 mm thick dichroic material



● 08.8019.65.OD

#### Sky blue filter

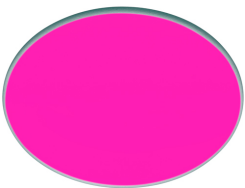
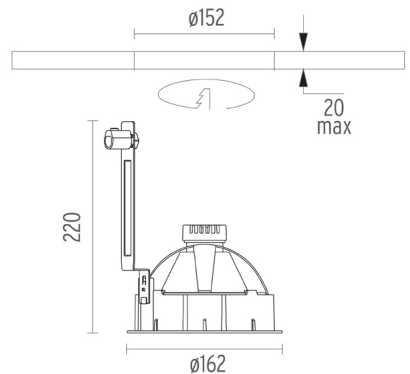
Colored filters in 3 mm thick dichroic material



● 08.8019.66.OD

#### Amber filter

Colored filters in 3 mm thick dichroic material



● 08.8019.67.OD

#### Red filter

Colored filters in 3 mm thick dichroic material



08.8019.98.OD

#### U.V. filter

U.V. filter

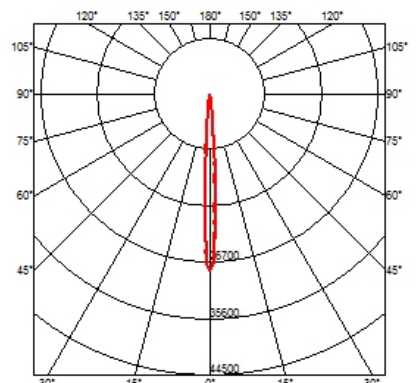
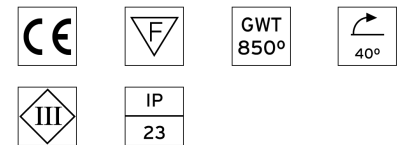


08.8023.68

#### I.R. filter

I.R. filter

### CERTIFICATIONS



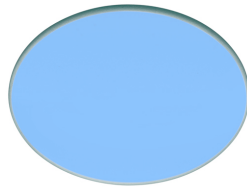
## Compass Adjustable Ø162 . Accessories



08.8019.69

**Hot Light**

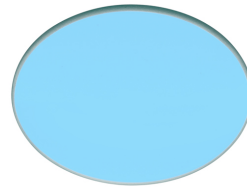
Hot Light



08.8019.CL

**Cold light filter**

Cold light filter



08.8019.DL

**Daylight filter**

Daylight filter



08.8019.ND

**Neodimium**

Neodimium



08.8178.68

**Flood lens**

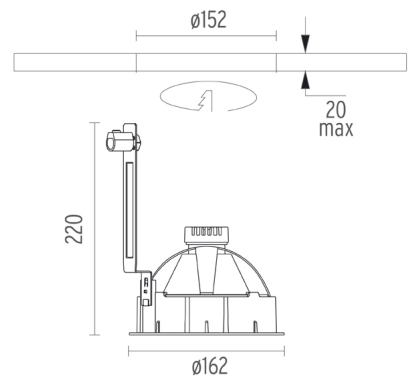
Flood lens made in press glass.



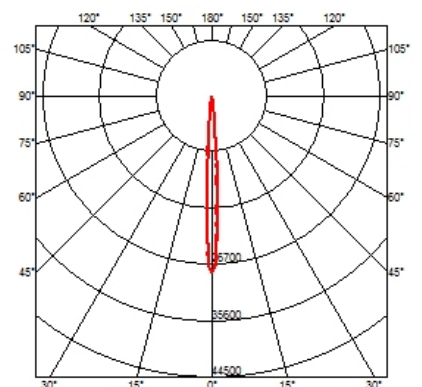
**Compass Adjustable Ø162**  
designed by FLOS Architectural

12V halogen lamp recessed downlight.  
Remote transformer not included

- 03.3534.30 Matt white
- 03.3534.02 Grey
- 03.3534.14 Matt black



### CERTIFICATIONS



## Compass Adjustable Ø162 . Lamps



60.6300

**QT-12**

**Lamp Watt:**  
35 W

**Lamp category:**  
Halogen low voltage

**Socket:**  
GY6.35

**Color temperature (K):**  
3000 °K

**Catalog reference:**  
60.6300

**Lamp type:**  
QT-12



60.6303

**QT-12**

**Lamp Watt:**  
50 W

**Lamp category:**  
Halogen low voltage

**Socket:**  
GY6.35

**Color temperature (K):**  
3000 °K

**Catalog reference:**  
60.6303

**Lamp type:**  
QT-12



60.6304

**QT-12**

**Lamp Watt:**  
75 W

**Lamp category:**  
Halogen low voltage

**Socket:**  
GY6.35

**Color temperature (K):**  
3000 °K

**Catalog reference:**  
60.6304

**Lamp type:**  
QT-12



60.6305

**QT-12**

**Lamp Watt:**  
90 W

**Lamp category:**  
Halogen low voltage

**Socket:**  
GY6.35

**Color temperature (K):**  
3000 °K

**Catalog reference:**  
60.6305

**Lamp type:**  
QT-12



60.6306

**QT-12**

**Lamp Watt:**  
100 W

**Lamp category:**  
Halogen low voltage

**Socket:**  
GY6.35

**Color temperature (K):**  
3000 °K

**Catalog reference:**  
60.6306

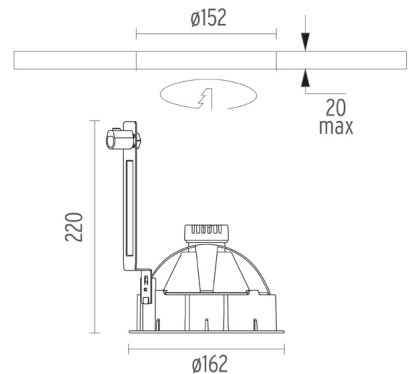
**Lamp type:**  
QT-12



**Compass Adjustable Ø162**  
designed by FLOS Architectural

12V halogen lamp recessed downlight.  
Remote transformer not included

- 03.3534.30 Matt white
- 03.3534.02 Grey
- 03.3534.14 Matt black



### CERTIFICATIONS

