

COMPASS ADJUSTABLE Ø162

Number of heads	1
Mounting	Ceiling recessed
Lamps description	CDM-TC G8.5 Max 70W
Bezel diameter	162
Voltage (V)	220/240
Environment	Indoor

OPTICAL

Light controller description	Protection Glass
Reflector finish	Aluminum
Aiming	Adjustable
Light distribution symmetry	Symmetric
Beam angle	48° Wide Flood

ELECTRICAL

Control gear availability	Separate item
Control gear type	Conventional, Electronic
Control gear mounting	Remote
Emergency	Without
Insulation class	Class I

PHYSICAL

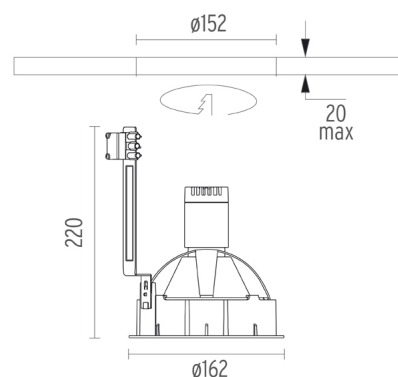
Cutout shape	Round
Cutout diameter (mm)	152
Diameter (mm)	162
Recessed depth (mm)	220
Construction material	Die-cast aluminum
Weight (kg)	0,71



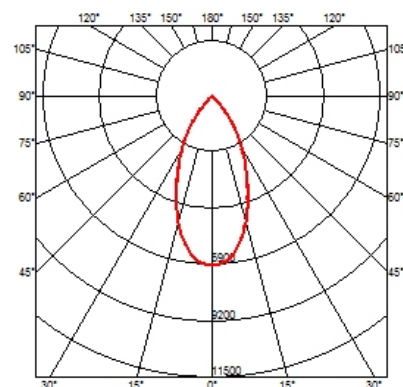
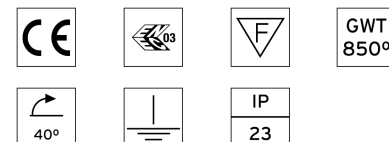
Compass Adjustable Ø162
designed by FLOS Architectural

Metal halide lamp recessed downlight.
Remote control gear not included

● 03.3529.30	Matt white
● 03.3529.02	Grey
● 03.3529.14	Matt black



CERTIFICATIONS



Compass Adjustable Ø162 . Accessories

Optical



● 08.8033.14

Screening cylinder

Screening cylinder with rotating pin in a black thermoplastic material



08.8020.68

Elliptical light distribution lens

Elliptical light distribution lens in 4 mm thick tempered glass.



● 08.8035.14

Honeycomb

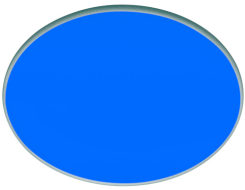
Anti-glare grid in aluminium cells with black liquid paint finish



Compass Adjustable Ø162
designed by FLOS Architectural

Metal halide lamp recessed downlight.
Remote control gear not included

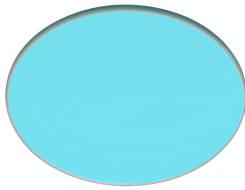
- 03.3529.30 Matt white
- 03.3529.02 Grey
- 03.3529.14 Matt black



● 08.8019.64.OD

Blue filter

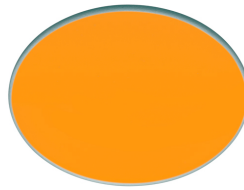
Colored filters in 3 mm thick dichroic material



● 08.8019.65.OD

Sky blue filter

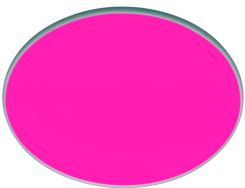
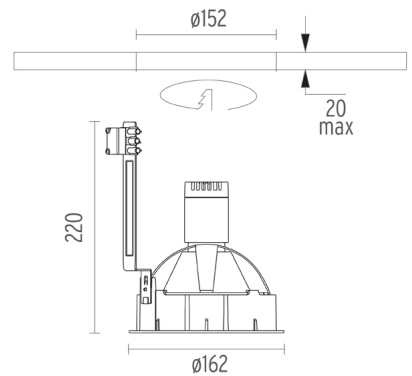
Colored filters in 3 mm thick dichroic material



● 08.8019.66.OD

Amber filter

Colored filters in 3 mm thick dichroic material



● 08.8019.67.OD

Red filter

Colored filters in 3 mm thick dichroic material



08.8019.98.OD

U.V. filter

U.V. filter

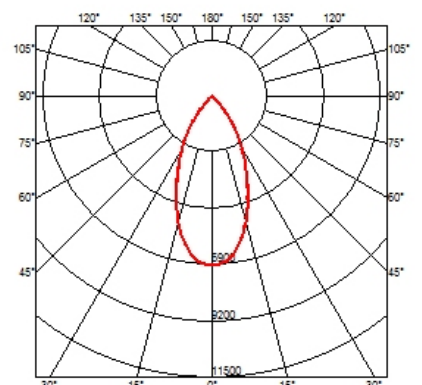
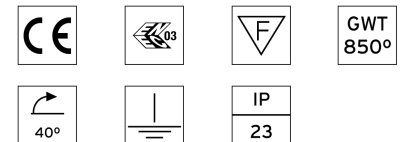


08.8023.68

I.R. filter

I.R. filter

CERTIFICATIONS



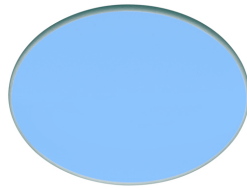
Compass Adjustable Ø162 . Accessories



08.8019.69

Hot Light

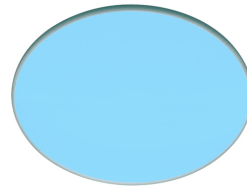
Hot Light



08.8019.CL

Cold light filter

Cold light filter



08.8019.DL

Daylight filter

Daylight filter



08.8019.ND

Neodimium

Neodimium



08.8041.68

Elliptical light distribution lens

Elliptical light distribution lens in 4mm thick tempered glass.



08.8178.68




Flood lens

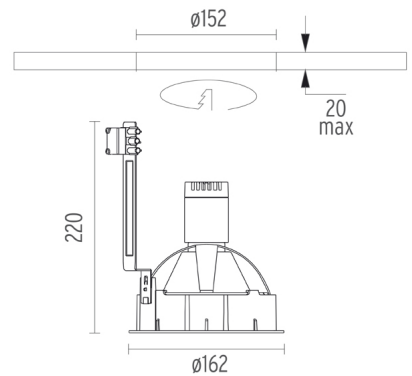
Flood lens made in press glass.



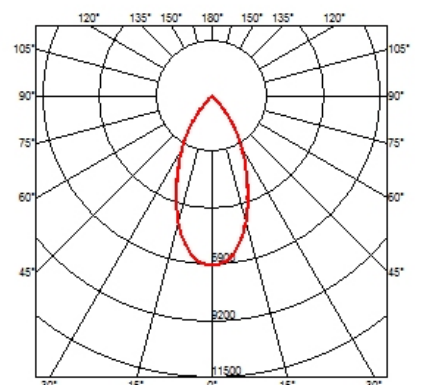
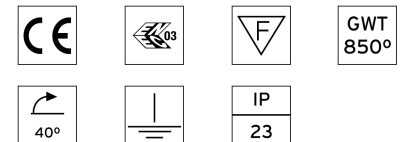
Compass Adjustable Ø162 designed by FLOS Architectural

Metal halide lamp recessed downlight.
Remote control gear not included

-  03.3529.30 Matt white
-  03.3529.02 Grey
-  03.3529.14 Matt black



CERTIFICATIONS



Compass Adjustable Ø162 . Lamps



60.6483

CDM-TC

Lamp Watt:
35 W

Lamp category:
Metal halide

Socket:
G8.5

Color temperature (K):
3000 °K

Catalog reference:
60.6483

Lamp type:
CDM-TC



60.6484

CDM-TC

Lamp Watt:
70 W

Lamp category:
Metal halide

Socket:
G8.5

Color temperature (K):
3000 °K

Catalog reference:
60.6484

Lamp type:
CDM-TC



60.6127

CDM-TC

Lamp Watt:
20 W

Lamp category:
Metal halide

Socket:
G8.5

Color temperature (K):
3000 °K

Catalog reference:
60.6127

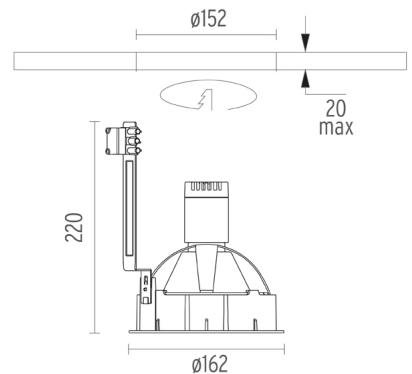
Lamp type:
CDM-TC



Compass Adjustable Ø162
designed by FLOS Architectural

Metal halide lamp recessed downlight.
Remote control gear not included

● 03.3529.30	Matt white
● 03.3529.02	Grey
● 03.3529.14	Matt black



CERTIFICATIONS

