

## COMPASS ADJUSTABLE Ø162

<b>Number of heads</b>	1
<b>Mounting</b>	Ceiling recessed
<b>Lamps description</b>	HIT-CRI G12 Max 150W
<b>Bezel diameter</b>	162
<b>Voltage (V)</b>	220/240
<b>Environment</b>	Indoor

### OPTICAL

<b>Light controller description</b>	Protection glass
<b>Reflector finish</b>	Aluminum
<b>Aiming</b>	Adjustable
<b>Light distribution symmetry</b>	Symmetric
<b>Beam angle</b>	12° Spot

### ELECTRICAL

<b>Control gear availability</b>	Separate item
<b>Control gear type</b>	Conventional, Electronic
<b>Control gear mounting</b>	Remote
<b>Emergency</b>	Without
<b>Insulation class</b>	Class I

### PHYSICAL

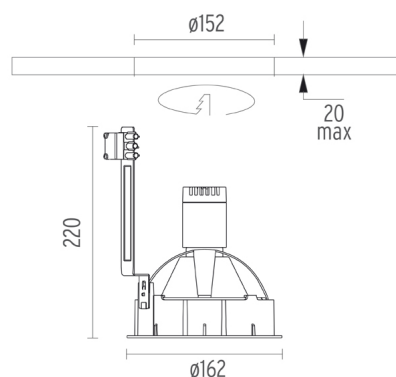
<b>Cutout shape</b>	Round
<b>Cutout diameter (mm)</b>	152
<b>Diameter (mm)</b>	162
<b>Recessed depth (mm)</b>	220
<b>Construction material</b>	Die-cast aluminum
<b>Weight (kg)</b>	0,71



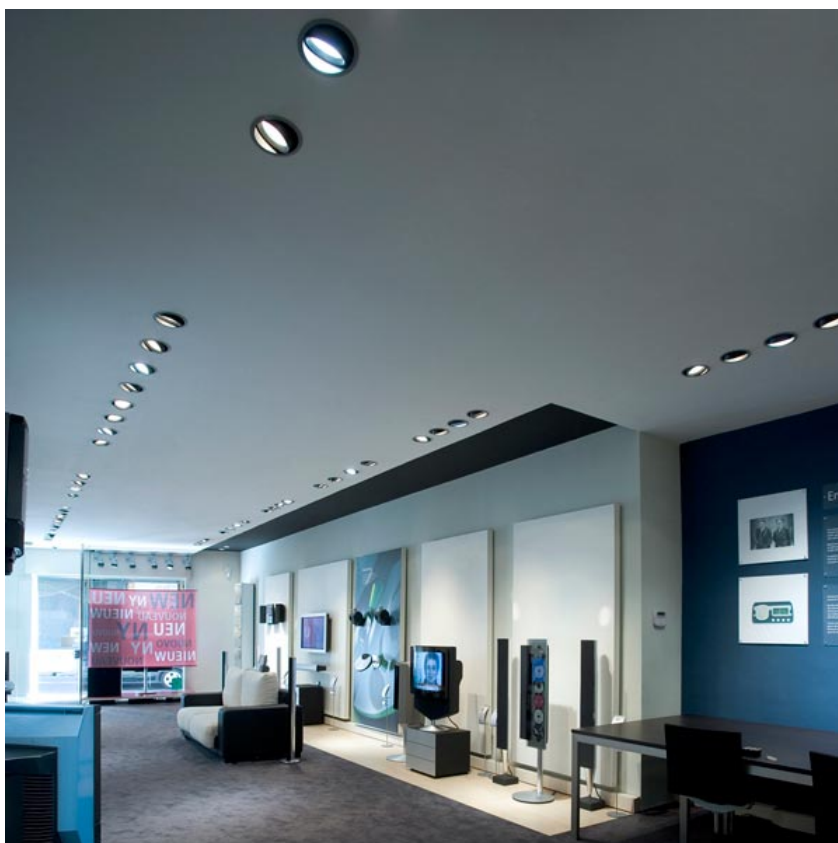
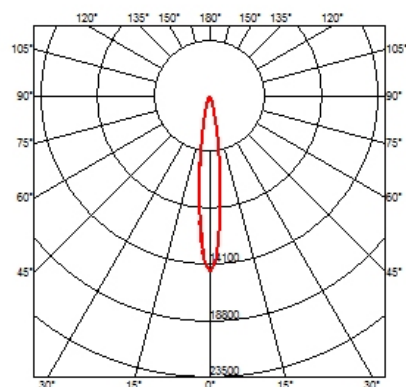
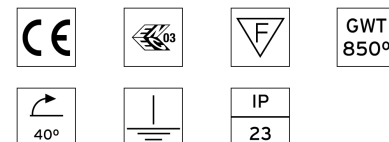
**Compass Adjustable Ø162**  
designed by FLOS Architectural

Metal halide lamp recessed downlight.  
Remote control gear not included

● 03.3524.30	Matt white
● 03.3524.02	Grey
● 03.3524.14	Matt black



### CERTIFICATIONS



## Compass Adjustable Ø162 . Accessories

### Optical



● 08.8033.14

#### Screening cylinder

Screening cylinder with rotating pin in a black thermoplastic material



08.8020.68

#### Elliptical light distribution lens

Elliptical light distribution lens in 4 mm thick tempered glass.



● 08.8035.14

#### Honeycomb

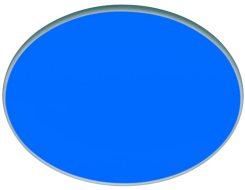
Anti-glare grid in aluminium cells with black liquid paint finish



**Compass Adjustable Ø162**  
designed by FLOS Architectural

Metal halide lamp recessed downlight.  
Remote control gear not included

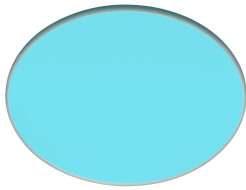
- 03.3524.30 Matt white
- 03.3524.02 Grey
- 03.3524.14 Matt black



● 08.8019.64.OD

#### Blue filter

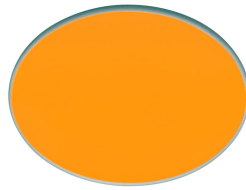
Colored filters in 3 mm thick dichroic material



● 08.8019.65.OD

#### Sky blue filter

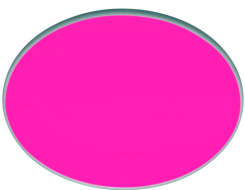
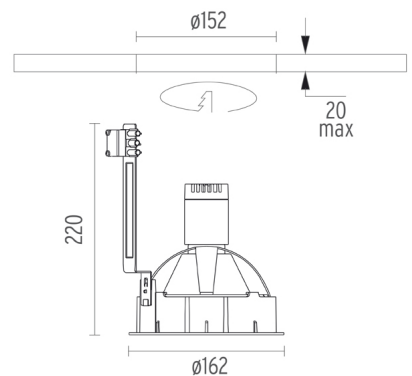
Colored filters in 3 mm thick dichroic material



● 08.8019.66.OD

#### Amber filter

Colored filters in 3 mm thick dichroic material



● 08.8019.67.OD

#### Red filter

Colored filters in 3 mm thick dichroic material



08.8019.98.OD

#### U.V. filter

U.V. filter

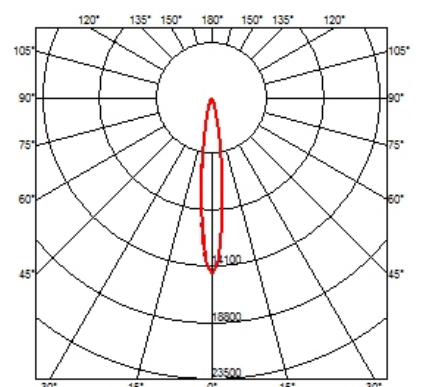
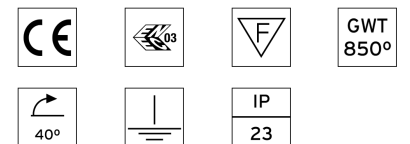


08.8023.68

#### I.R. filter

I.R. filter

### CERTIFICATIONS



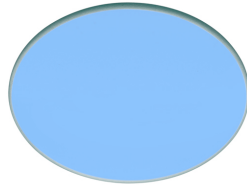
## Compass Adjustable Ø162 . Accessories



08.8019.69

**Hot Light**

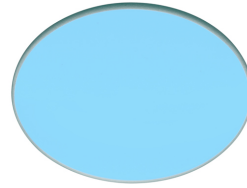
Hot Light



08.8019.CL

**Cold light filter**

Cold light filter



08.8019.DL

**Daylight filter**

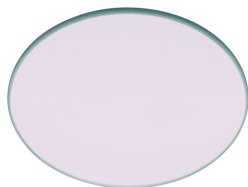
Daylight filter



**Compass Adjustable Ø162**  
designed by FLOS Architectural

Metal halide lamp recessed downlight.  
Remote control gear not included

- 03.3524.30 Matt white
- 03.3524.02 Grey
- 03.3524.14 Matt black



08.8019.ND

**Neodimium**

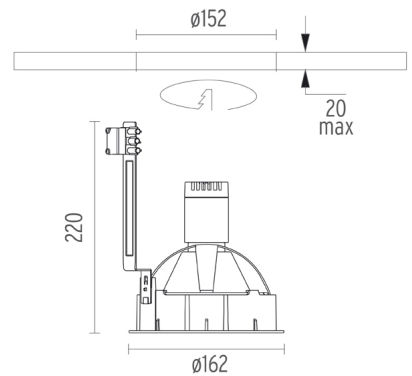
Neodimium



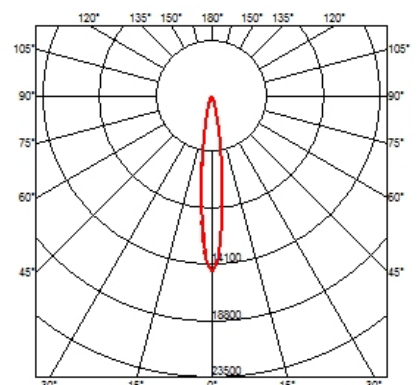
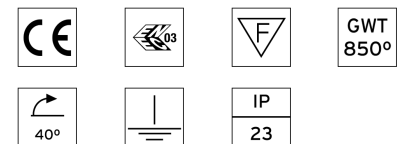
08.8178.68

**Flood lens**

Flood lens made in press glass.



### CERTIFICATIONS



## Compass Adjustable Ø162 . Lamps



60.6481

**HIT-CRI**

**Lamp Watt:**  
35 W

**Lamp category:**  
Metal halide

**Socket:**  
G12

**Color temperature (K):**  
3000 °K

**Catalog reference:**  
60.6481

**Lamp type:**  
HIT-CRI



60.6482

**HIT-CRI**

**Lamp Watt:**  
70 W

**Lamp category:**  
Metal halide

**Socket:**  
G12

**Color temperature (K):**  
3000 °K

**Catalog reference:**  
60.6482

**Lamp type:**  
HIT-CRI



60.6140

**HIT-CRI**

**Lamp Watt:**  
70 W

**Lamp category:**  
Metal halide

**Socket:**  
G12

**Color temperature (K):**  
4200 °K

**Catalog reference:**  
60.6140

**Lamp type:**  
HIT-CRI



60.6141

**HIT-CRI**

**Lamp Watt:**  
150 W

**Lamp category:**  
Metal halide

**Socket:**  
G12

**Color temperature (K):**  
4200 °K

**Catalog reference:**  
60.6141

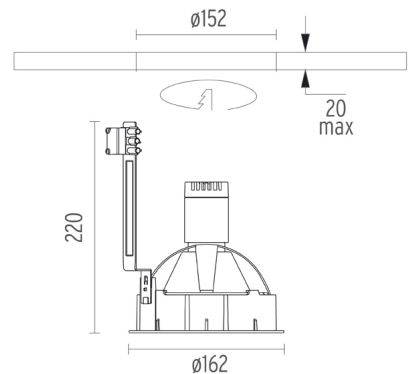
**Lamp type:**  
HIT-CRI



**Compass Adjustable Ø162**  
designed by FLOS Architectural

Metal halide lamp recessed downlight.  
Remote control gear not included

- 03.3524.30 Matt white
- 03.3524.02 Grey
- 03.3524.14 Matt black



### CERTIFICATIONS

