

COMPASS ADJUSTABLE Ø162

Number of heads	1
Mounting	Ceiling recessed
Lamps description	QR-111 G53 Max 100W or LED QR-111 G53
Bezel diameter	162
Voltage (V)	12
Environment	Indoor

OPTICAL

Light controller description	Bare lamps
Aiming	Adjustable
Light distribution symmetry	Symmetric
Beam angle	24°, 25°, 36°, 45°, 6°, 8°

ELECTRICAL

Transformer availability	Separate item
Transformer mounting	Remote
Emergency	Without
Insulation class	Class III

PHYSICAL

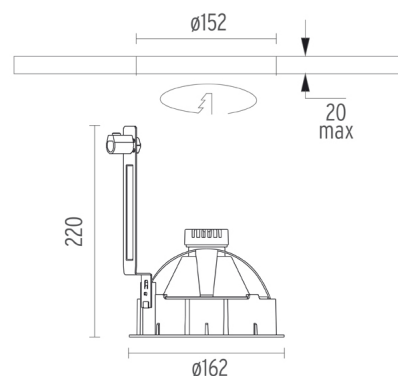
Cutout shape	Round
Cutout diameter (mm)	152
Diameter (mm)	162
Recessed depth (mm)	220
Construction material	Die-cast aluminum
Weight (kg)	0,55



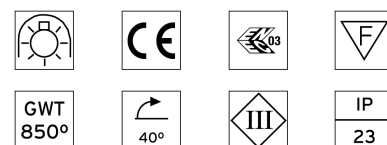
Compass Adjustable Ø162
designed by FLOS Architectural

12V halogen lamp recessed downlight.
Remote transformer not included

● 03.3520.30	Matt white
● 03.3520.02	Grey
● 03.3520.14	Matt black



CERTIFICATIONS



Compass Adjustable Ø162 . Accessories

Optical



● 08.8034.14

Screening cylinder

Screening cylinder with rotating pin in a black thermoplastic material



● 08.8036.14

Honeycomb

Anti-glare grid in aluminium cells with black liquid paint finish



08.8930.68

Elliptical light distribution lens

Elliptical light distribution lens in 4mm thick tempered glass.



Compass Adjustable Ø162
designed by FLOS Architectural

12V halogen lamp recessed downlight.
Remote transformer not included

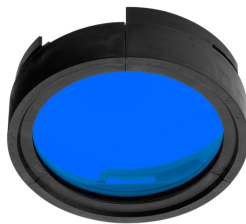
- 03.3520.30 Matt white
- 03.3520.02 Grey
- 03.3520.14 Matt black



08.8931.68

Flood lens made in press glass

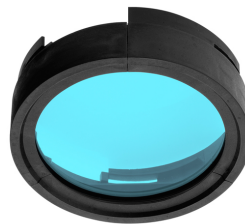
Flood lens made in press glass.



● 08.8932.64.OD

Blue filter

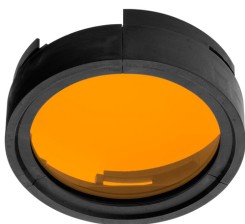
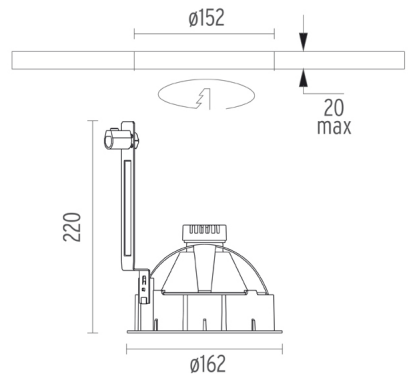
Colored filters in 3 mm thick dichroic material



● 08.8932.65.OD

Sky blue filter

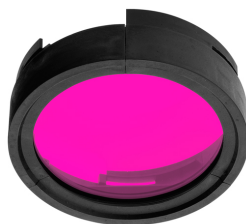
Colored filters in 3 mm thick dichroic material



● 08.8932.66.OD

Amber filter

Colored filters in 3 mm thick dichroic material



● 08.8932.67.OD

Red filter

Colored filters in 3 mm thick dichroic material

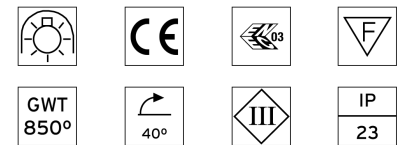


08.8932.98.OD

U.V. filter

U.V. filter

CERTIFICATIONS



Compass Adjustable Ø162 . Accessories



08.8933.68

I.R. filter

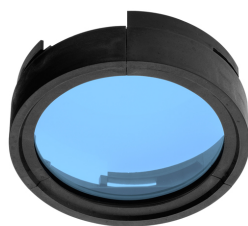
I.R. filter



08.8932.69

Hot Light

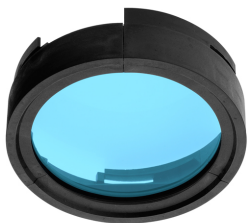
Hot Light



08.8932.CL

Cold light filter

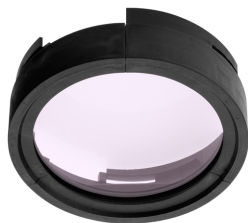
Cold light filter



08.8932.DL

Daylight filter

Daylight filter



08.8932.ND

Neodimium

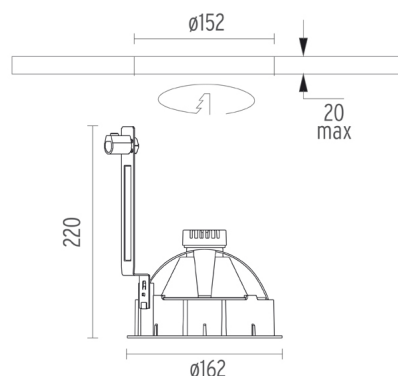
Neodimium



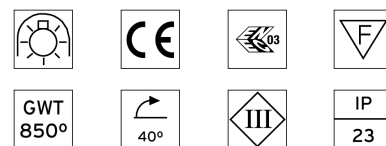
Compass Adjustable Ø162
designed by FLOS Architectural

12V halogen lamp recessed downlight.
Remote transformer not included

- 03.3520.30 Matt white
- 03.3520.02 Grey
- 03.3520.14 Matt black



CERTIFICATIONS



Compass Adjustable Ø162 . Lamps



60.6398

QR-III

Lamp Watt:
35 W

Lamp category:
Halogen low voltage

Socket:
G53

Lamp angle:
24 °

Color temperature (K):
3000 °K

Catalog reference:
60.6398

Lamp type:
QR-III



60.6374

QR-III

Lamp Watt:
50 W

Lamp category:
Halogen low voltage

Socket:
G53

Lamp angle:
24 °

Color temperature (K):
3000 °K

Catalog reference:
60.6374

Lamp type:
QR-III



60.6375

QR-III

Lamp Watt:
75 W

Lamp category:
Halogen low voltage

Socket:
G53

Lamp angle:
8 °

Color temperature (K):
3000 °K

Catalog reference:
60.6375

Lamp type:
QR-III



60.6376

QR-III

Lamp Watt:
75 W

Lamp category:
Halogen low voltage

Socket:
G53

Lamp angle:
24 °

Color temperature (K):
3000 °K

Catalog reference:
60.6376

Lamp type:
QR-III



60.6862

QR-III

Lamp Watt:
30 W

Lamp category:
Halogen low voltage

Socket:
G53

Lamp angle:
8 °

Color temperature (K):
3000 °K

Catalog reference:
60.6862

Lamp type:
QR-III



60.6861

QR-III

Lamp Watt:
45 W

Lamp category:
Halogen low voltage

Socket:
G53

Lamp angle:
45 °

Color temperature (K):
3000 °K

Catalog reference:
60.6861

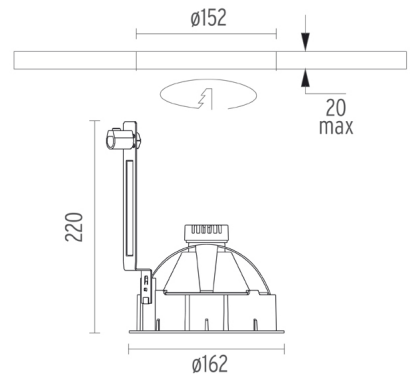
Lamp type:
QR-III



Compass Adjustable Ø162
designed by FLOS Architectural

12V halogen lamp recessed downlight.
Remote transformer not included

● 03.3520.30	Matt white
● 03.3520.02	Grey
● 03.3520.14	Matt black



CERTIFICATIONS



Compass Adjustable Ø162 . Lamps



60.6863

QR-III

Lamp Watt:
60 W

Lamp category:
Halogen low voltage

Socket:
G53

Lamp angle:
8 °

Color temperature (K):
3000 °K

Catalog reference:
60.6863

Lamp type:
QR-III



60.6864

QR-III

Lamp Watt:
60 W

Lamp category:
Halogen low voltage

Socket:
G53

Lamp angle:
24 °

Color temperature (K):
3000 °K

Catalog reference:
60.6864

Lamp type:
QR-III



60.6962

LED QR-III

Lamp Watt:
12 W

Lamp category:
LED

Socket:
G53

Lamp angle:
24 °

Color temperature (K):
2800 °K

Catalog reference:
60.6962

Lamp type:
LED QR-III



60.6989

QR-III

Lamp Watt:
50 W

Lamp category:
Halogen low voltage

Socket:
G53

Lamp angle:
6 °

Color temperature (K):
3000 °K

Catalog reference:
60.6989

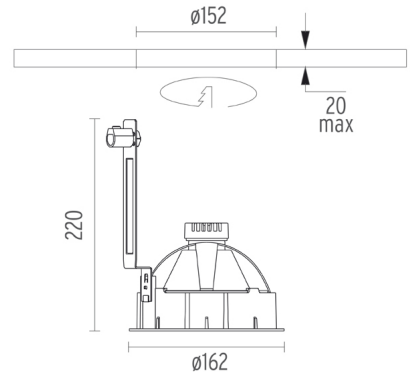
Lamp type:
QR-III



Compass Adjustable Ø162
designed by FLOS Architectural

12V halogen lamp recessed downlight.
Remote transformer not included

- 03.3520.30 Matt white
- 03.3520.02 Grey
- 03.3520.14 Matt black



CERTIFICATIONS

