

COMPASS ADJUSTABLE Ø90

Number of heads	1
Mounting	Ceiling recessed
Lamps description	PAR 16 GZ10 Max 50W
Bezel diameter	90
Voltage (V)	220/240
Environment	Indoor
Notes	Light fixture with screen angle greater than 25°, as per CIBSE LG3 (L<200 cd/m ²).

OPTICAL

Light controller description	Protection glass
Reflector finish	Aluminum
Aiming	Adjustable
Light distribution symmetry	Symmetric
Beam angle	35°, 50°

ELECTRICAL

Emergency	Without
Insulation class	Class II

PHYSICAL

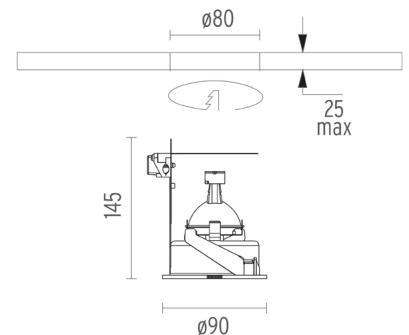
Cutout shape	Round
Cutout diameter (mm)	80
Diameter (mm)	90
Recessed depth (mm)	145
Construction material	Die-cast aluminum
Weight (kg)	0,34



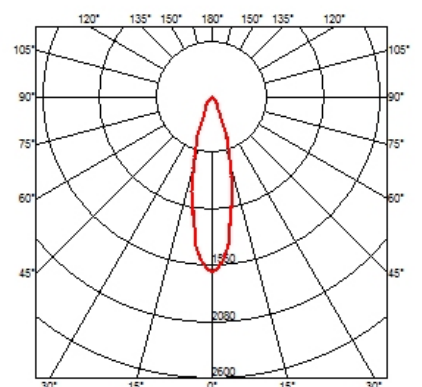
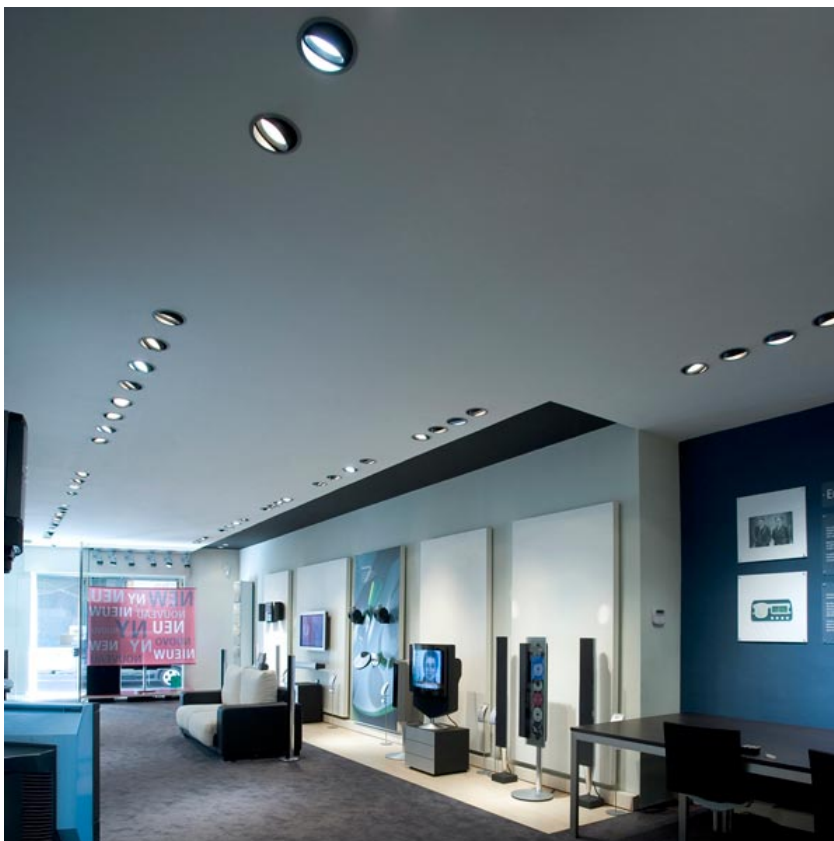
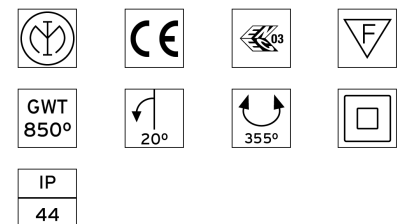
Compass Adjustable Ø90
designed by FLOS Architectural

Recessed downlight with main voltage source

● 03.3506.30	Matt white
● 03.3506.02	Grey
● 03.3506.14	Matt black



CERTIFICATIONS



Compass Adjustable Ø90 . Accessories

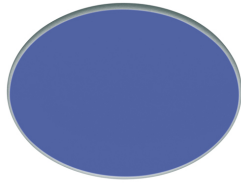
Optical



08.8041.68

Elliptical light distribution lens

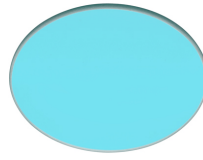
Elliptical light distribution lens in 4mm thick tempered glass.



08.8042.64.OD

Colored filters

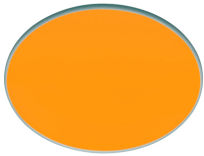
Colored filters in 3 mm dichroic material



08.8042.65.OD

Colored filters

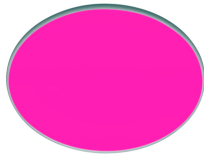
Colored filters in 3 mm dichroic material



08.8042.66.OD

Colored filters

Colored filters in 3 mm dichroic material



08.8042.67.OD

Colored filters

Colored filters in 3 mm dichroic material



08.8042.98.OD

Colored filters

Colored filters in 3 mm dichroic material



08.8042.68

Colored filters

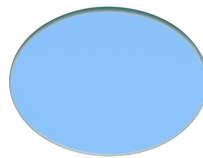
Colored filters in 3 mm dichroic material



08.8042.69

Colored filters

Colored filters in 3 mm dichroic material



08.8042.CL

Colored filters

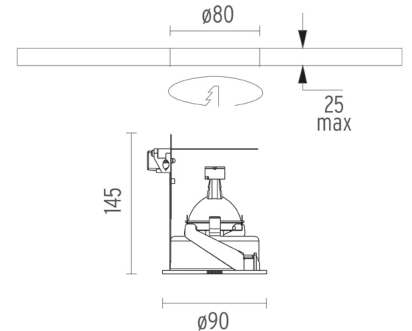
Colored filters in 3 mm dichroic material



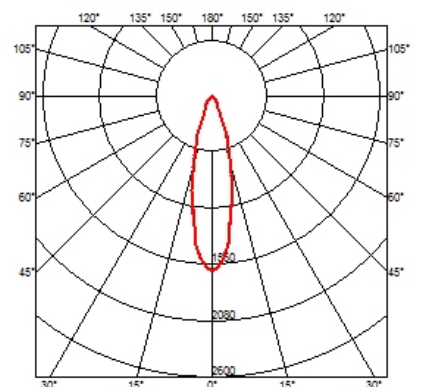
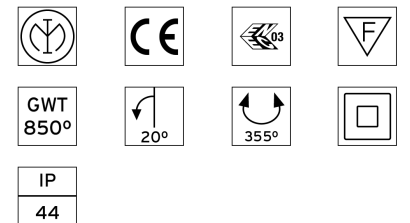
Compass Adjustable Ø90
designed by FLOS Architectural

Recessed downlight with main voltage source

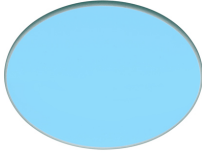
- 03.3506.30 Matt white
- 03.3506.02 Grey
- 03.3506.14 Matt black



CERTIFICATIONS



Compass Adjustable Ø90 . Accessories



08.8042.DL

Colored filters

Colored filters in 3 mm dichroic material



08.8042.ND

Colored filters

Colored filters in 3 mm dichroic material



Compass Adjustable Ø90
designed by FLOS Architectural

Recessed downlight with main voltage source

- 03.3506.30 Matt white
- 03.3506.02 Grey
- 03.3506.14 Matt black

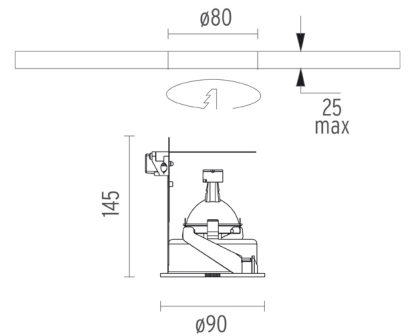
Structural



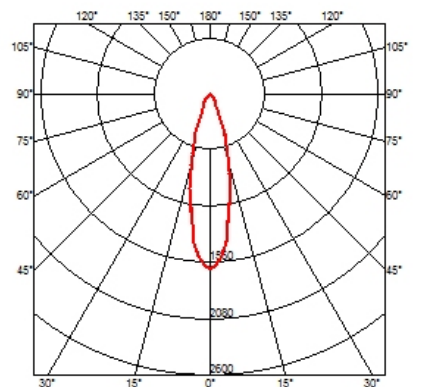
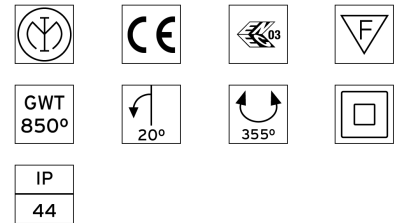
● 08.8040.00

Support

Stainless steel support. necessary for mounting filters and lens



CERTIFICATIONS



Compass Adjustable Ø90 . Lamps



60.6365

PAR 16

Lamp Watt:
50 W

Lamp category:
Halogen mains

Socket:
GU10

Lamp angle:
35 °

Color temperature (K):
2900 °K

Catalog reference:
60.6365

Lamp type:
PAR 16

60.6396

PAR 16

Lamp Watt:
50 W

Lamp category:
Halogen mains

Socket:
GU10

Lamp angle:
50 °

Color temperature (K):
2900 °K

Catalog reference:
60.6396

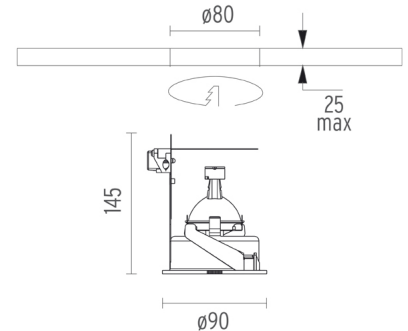
Lamp type:
PAR 16



Compass Adjustable Ø90
designed by FLOS Architectural

Recessed downlight with main voltage source

- 03.3506.30 Matt white
- 03.3506.02 Grey
- 03.3506.14 Matt black



CERTIFICATIONS

