

## COMPASS ADJUSTABLE Ø110

<b>Number of heads</b>	1
<b>Mounting</b>	Ceiling recessed
<b>Lamps description</b>	QR-CBC 5I GX5.3 Max 50W or LED QR-CBC 5I GX5.3 7/10W
<b>Bezel diameter</b>	110
<b>Voltage (V)</b>	12
<b>Environment</b>	Indoor
<b>Notes</b>	Light fixture with screen angle greater than 25°, as per CIBSE LG3 (L<200 cd/m2). LG3 (L<200 cd/m2)

### OPTICAL

<b>Light controller description</b>	Bare Lamps
<b>Aiming</b>	Adjustable
<b>Light distribution symmetry</b>	Symmetric
<b>Beam angle</b>	10°, 24°, 25°, 36°, 38°, 60°

### ELECTRICAL

<b>Transformer availability</b>	Separate item
<b>Transformer mounting</b>	Remote
<b>Emergency</b>	Without
<b>Insulation class</b>	Class III

### PHYSICAL

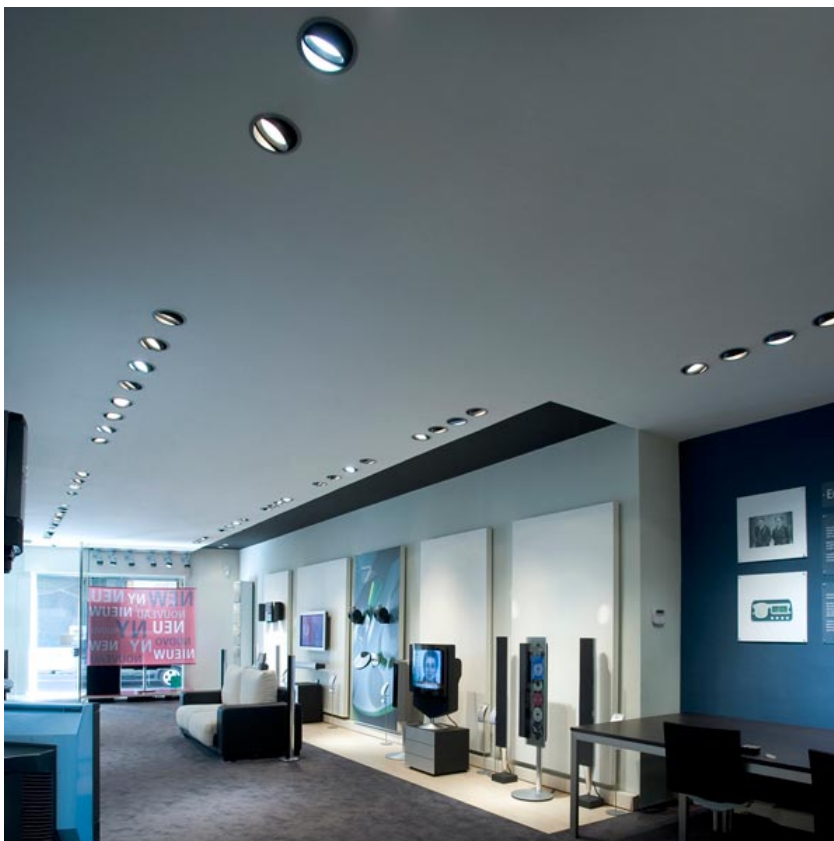
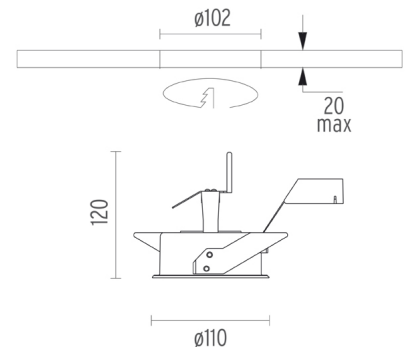
<b>Cutout shape</b>	Round
<b>Diameter (mm)</b>	110
<b>Recessed depth (mm)</b>	120
<b>Construction material</b>	Die-cast aluminum
<b>Weight (kg)</b>	0,26



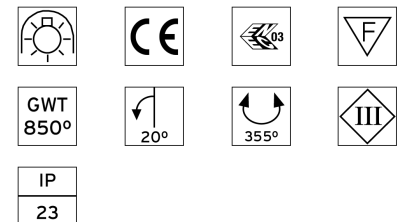
**Compass Adjustable Ø110**  
designed by FLOS Architectural

12V halogen lamp recessed downlight.  
Remote transformer not included

● 03.3500.30	Matt white
● 03.3500.02	Grey
● 03.3500.14	Matt black



### CERTIFICATIONS



## Compass Adjustable Ø110 . Accessories

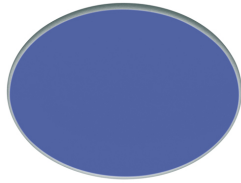
### Optical



08.8041.68

#### Elliptical light distribution lens

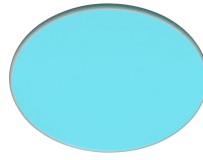
Elliptical light distribution lens in 4mm thick tempered glass.



08.8042.64.OD

#### Colored filters

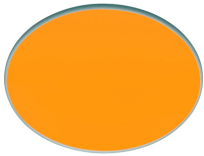
Colored filters in 3 mm dichroic material



08.8042.65.OD

#### Colored filters

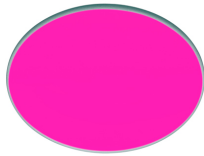
Colored filters in 3 mm dichroic material



08.8042.66.OD

#### Colored filters

Colored filters in 3 mm dichroic material



08.8042.67.OD

#### Colored filters

Colored filters in 3 mm dichroic material



08.8042.98.OD

#### Colored filters

Colored filters in 3 mm dichroic material



08.8042.68

#### Colored filters

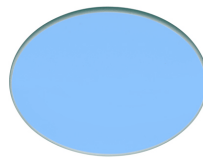
Colored filters in 3 mm dichroic material



08.8042.69

#### Colored filters

Colored filters in 3 mm dichroic material



08.8042.CL

#### Colored filters

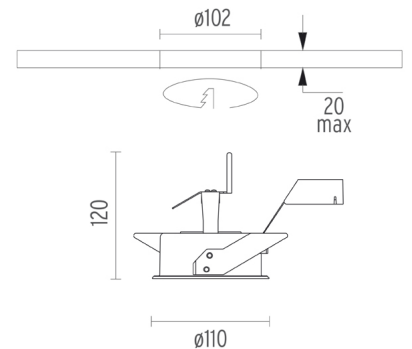
Colored filters in 3 mm dichroic material



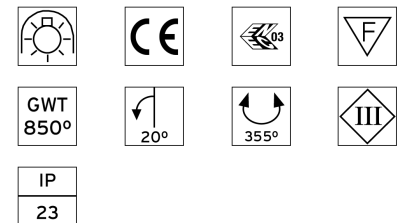
**Compass Adjustable Ø110**  
designed by FLOS Architectural

12V halogen lamp recessed downlight.  
Remote transformer not included

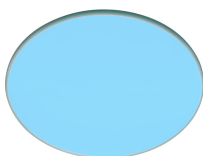
- 03.3500.30 Matt white
- 03.3500.02 Grey
- 03.3500.14 Matt black



### CERTIFICATIONS



## Compass Adjustable Ø110 . Accessories



08.8042.DL

### Colored filters

Colored filters in 3 mm dichroic material



08.8042.ND

### Colored filters

Colored filters in 3 mm dichroic material



### Compass Adjustable Ø110 designed by FLOS Architectural

12V halogen lamp recessed downlight.  
Remote transformer not included

- 03.3500.30 Matt white
- 03.3500.02 Grey
- 03.3500.14 Matt black

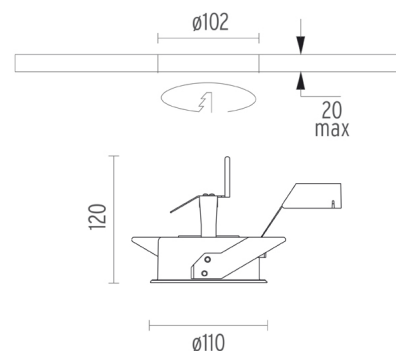
## Structural



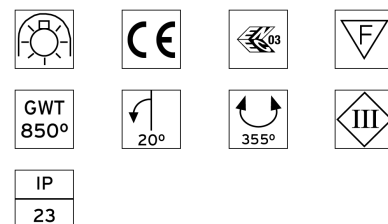
● 08.8040.00

### Support

Stainless steel support. necessary  
for mounting filters and lens



## CERTIFICATIONS



## Compass Adjustable Ø110 . Lamps



60.6392  
**QR-CBC 51**  
**Lamp Watt:**  
 20 W  
**Lamp category:**  
 Halogen low voltage  
**Socket:**  
 GX5.3  
**Lamp angle:**  
 10 °  
**Color temperature (K):**  
 3000 °K  
**Catalog reference:**  
 60.6392  
**Lamp type:**  
 QR-CBC 51



60.6359  
**QR-CBC 51**  
**Lamp Watt:**  
 50 W  
**Lamp category:**  
 Halogen low voltage  
**Socket:**  
 GX5.3  
**Lamp angle:**  
 24 °  
**Color temperature (K):**  
 3000 °K  
**Catalog reference:**  
 60.6359  
**Lamp type:**  
 QR-CBC 51



60.6360  
**QR-CBC 51**  
**Lamp Watt:**  
 50 W  
**Lamp category:**  
 Halogen low voltage  
**Socket:**  
 GX5.3  
**Lamp angle:**  
 38 °  
**Color temperature (K):**  
 3000 °K  
**Catalog reference:**  
 60.6360  
**Lamp type:**  
 QR-CBC 51



60.6361  
**QR-CBC 51**  
**Lamp Watt:**  
 50 W  
**Lamp category:**  
 Halogen low voltage  
**Socket:**  
 GX5.3  
**Lamp angle:**  
 60 °  
**Color temperature (K):**  
 3000 °K  
**Catalog reference:**  
 60.6361  
**Lamp type:**  
 QR-CBC 51



60.6393  
**QR-CBC 51**  
**Lamp Watt:**  
 20 W  
**Lamp category:**  
 Halogen low voltage  
**Socket:**  
 GX5.3  
**Lamp angle:**  
 24 °  
**Color temperature (K):**  
 3000 °K  
**Catalog reference:**  
 60.6393  
**Lamp type:**  
 QR-CBC 51



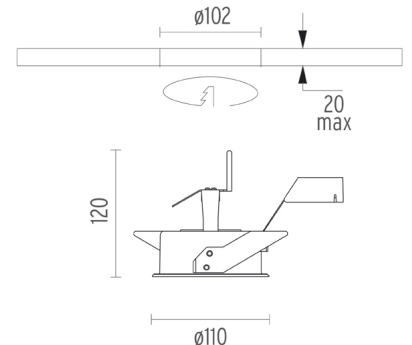
60.6394  
**QR-CBC 51**  
**Lamp Watt:**  
 20 W  
**Lamp category:**  
 Halogen low voltage  
**Socket:**  
 GX5.3  
**Lamp angle:**  
 38 °  
**Color temperature (K):**  
 3000 °K  
**Catalog reference:**  
 60.6394  
**Lamp type:**  
 QR-CBC 51



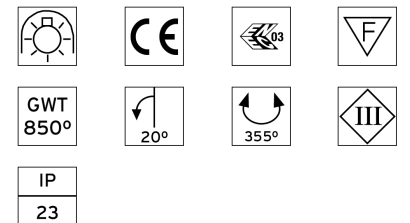
**Compass Adjustable Ø110**  
 designed by FLOS Architectural

12V halogen lamp recessed downlight.  
 Remote transformer not included

- 03.3500.30 Matt white
- 03.3500.02 Grey
- 03.3500.14 Matt black



### CERTIFICATIONS



## Compass Adjustable Ø110 . Lamps



60.6395

**QR-CBC 51**

**Lamp Watt:**  
20 W

**Lamp category:**  
Halogen low voltage

**Socket:**  
GX5.3

**Lamp angle:**  
60 °

**Color temperature (K):**  
3000 °K

**Catalog reference:**  
60.6395

**Lamp type:**  
QR-CBC 51



60.6355

**QR-CBC 51**

**Lamp Watt:**  
35 W

**Lamp category:**  
Halogen low voltage

**Socket:**  
GX5.3

**Lamp angle:**  
24 °

**Color temperature (K):**  
3000 °K

**Catalog reference:**  
60.6355

**Lamp type:**  
QR-CBC 51



60.6356

**QR-CBC 51**

**Lamp Watt:**  
35 W

**Lamp category:**  
Halogen low voltage

**Socket:**  
GX5.3

**Lamp angle:**  
38 °

**Color temperature (K):**  
3000 °K

**Catalog reference:**  
60.6356

**Lamp type:**  
QR-CBC 51



60.6357

**QR-CBC 51**

**Lamp Watt:**  
35 W

**Lamp category:**  
Halogen low voltage

**Socket:**  
GX5.3

**Lamp angle:**  
60 °

**Color temperature (K):**  
3000 °K

**Catalog reference:**  
60.6357

**Lamp type:**  
QR-CBC 51



BU19

**QR-CBC 51**

**Lamp Watt:**  
20 W

**Lamp category:**  
Halogen low voltage

**Socket:**  
GX5.3

**Lamp angle:**  
38 °

**Color temperature (K):**  
3000 °K

**Catalog reference:**  
BU19

**Lamp type:**  
QR-CBC 51



BU20

**QR-CBC 51**

**Lamp Watt:**  
35 W

**Lamp category:**  
Halogen low voltage

**Socket:**  
GX5.3

**Lamp angle:**  
38 °

**Color temperature (K):**  
3000 °K

**Catalog reference:**  
BU20

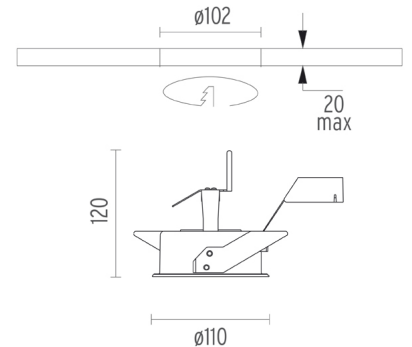
**Lamp type:**  
QR-CBC 51



**Compass Adjustable Ø110**  
designed by FLOS Architectural

12V halogen lamp recessed downlight.  
Remote transformer not included

- 03.3500.30 Matt white
- 03.3500.02 Grey
- 03.3500.14 Matt black



### CERTIFICATIONS



## Compass Adjustable Ø110 . Lamps



BU21

**QR-CBC 51**

**Lamp Watt:**  
50 W

**Lamp category:**  
Halogen low voltage

**Socket:**  
GX5.3

**Lamp angle:**  
60 °

**Color temperature (K):**  
3000 °K

**Catalog reference:**  
BU21

**Lamp type:**  
QR-CBC 51



60.6891

**LED QR-CBC 51**

**Lamp Watt:**  
8 W

**Lamp category:**  
LED

**Socket:**  
GX5.3

**Lamp angle:**  
24 °

**Color temperature (K):**  
3000 °K

**Catalog reference:**  
60.6891

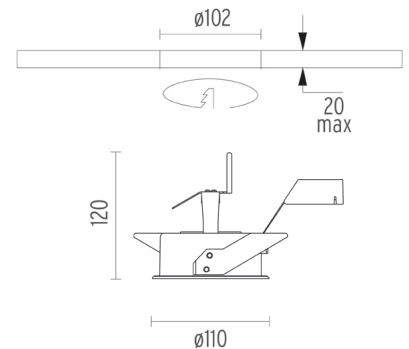
**Lamp type:**  
LED QR-CBC 51



**Compass Adjustable Ø110**  
designed by FLOS Architectural

12V halogen lamp recessed downlight.  
Remote transformer not included

- 03.3500.30 Matt white
- 03.3500.02 Grey
- 03.3500.14 Matt black



### CERTIFICATIONS

