

COMPASS BOX RECESSED LARGE 2L

Number of heads	2
Mounting	Ceiling recessed
Lamps description	QR-III G53 Max 2 x 100W or 2 x LED QR-III
Voltage (V)	12
Environment	Indoor
Notes	Pre-installation frame must be ordered separately. Please ask Flos architectural sales team about QR-III lamps LED retrofit compatibility.

OPTICAL

Light controller description	Bare lamp
Reflector finish	Aluminum
Aiming	Adjustable
Light distribution symmetry	Symmetric
Beam angle	24°, 25°, 36°, 45°, 6°, 8°

ELECTRICAL

Transformer availability	Separate item
Transformer mounting	Remote
Transformer type	Electronic, Electronic dimmable
Emergency	Without
Insulation class	Class III

PHYSICAL

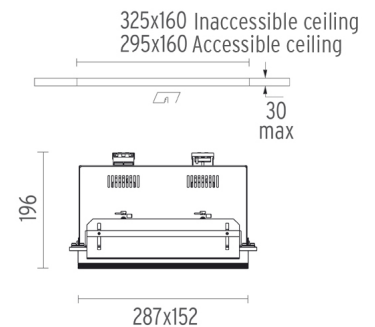
Recessed depth (mm)	196
Construction material	Pressed steel
Weight (kg)	1,95



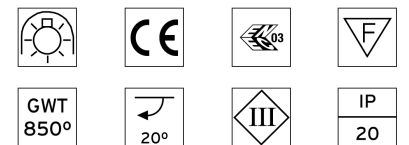
Compass Box Recessed Large 2L
designed by FLOS Architectural

No Trim 12V halogen lamp recessed downlight. Remote transformer not included

● 03.2521.14	Black
● 03.2521.30	White



CERTIFICATIONS



Compass Box Recessed Large 2L . Accessories

Optical



● 08.8034.14

Screening cylinder

Screening cylinder with rotating pin in a black thermoplastic material



● 08.8036.14

Honeycomb

Anti-glare grid in aluminium cells with black liquid paint finish



Compass Box Recessed Large 2L designed by FLOS Architectural

No Trim 12V halogen lamp recessed downlight. Remote transformer not included

● 03.2521.14

Black

● 03.2521.30

White

Mounting



08.8188.00

Pre-installation frame

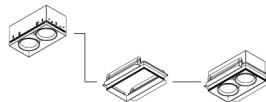
Pre-installation frame large 2 light

TO BE COMPLETED WITH:
INSTALLATION FRAME.
AVAILABLE AS ACCESSORY ELEMENT.
MUST BE ORDERED SEPARATELY.

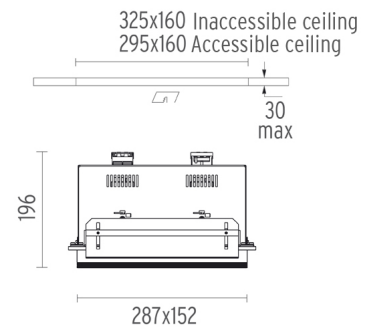
■ 08.8188.00



Example
03.2521.14 + 08.8188.00



HOW TO ORDER



CERTIFICATIONS



Compass Box Recessed Large 2L . Lamps



60.6398

QR-III

Lamp Watt:
35 W

Lamp category:
Halogen low voltage

Socket:
G53

Lamp angle:
24 °

Color temperature (K):
3000 °K

Catalog reference:
60.6398

Lamp type:
QR-III



60.6374

QR-III

Lamp Watt:
50 W

Lamp category:
Halogen low voltage

Socket:
G53

Lamp angle:
24 °

Color temperature (K):
3000 °K

Catalog reference:
60.6374

Lamp type:
QR-III



60.6375

QR-III

Lamp Watt:
75 W

Lamp category:
Halogen low voltage

Socket:
G53

Lamp angle:
8 °

Color temperature (K):
3000 °K

Catalog reference:
60.6375

Lamp type:
QR-III



60.6376

QR-III

Lamp Watt:
30 W

Lamp category:
Halogen low voltage

Socket:
G53

Lamp angle:
24 °

Color temperature (K):
3000 °K

Catalog reference:
60.6376

Lamp type:
QR-III



60.6862

QR-III

Lamp Watt:
45 W

Lamp category:
Halogen low voltage

Socket:
G53

Lamp angle:
8 °

Color temperature (K):
3000 °K

Catalog reference:
60.6862

Lamp type:
QR-III



60.6861

QR-III

Lamp Watt:
45 W

Lamp category:
Halogen low voltage

Socket:
G53

Lamp angle:
45 °

Color temperature (K):
3000 °K

Catalog reference:
60.6861

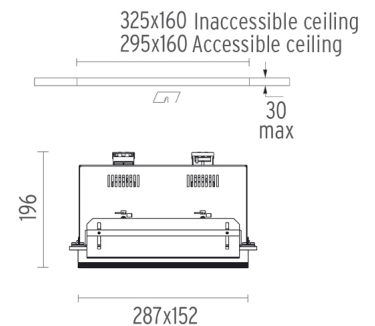
Lamp type:
QR-III



Compass Box Recessed Large 2L
designed by FLOS Architectural

No Trim 12V halogen lamp recessed
downlight. Remote transformer not
included

● 03.2521.14 Black
● 03.2521.30 White



CERTIFICATIONS



Compass Box Recessed Large 2L . Lamps



60.6863

QR-III

Lamp Watt:

60 W

Lamp category:

Halogen low voltage

Socket:

G53

Lamp angle:

8°

Color temperature (K):

3000 °K

Catalog reference:

60.6863

Lamp type:

QR-III



60.6864

QR-III

Lamp Watt:

60 W

Lamp category:

Halogen low voltage

Socket:

G53

Lamp angle:

24°

Color temperature (K):

3000 °K

Catalog reference:

60.6864

Lamp type:

QR-III



60.6450 IRC

QR-III

Lamp Watt:

50 W

Lamp category:

Halogen low voltage

Socket:

G53

Lamp angle:

24°

Color temperature (K):

3000 °K

Catalog reference:

60.6450 IRC

Lamp type:

QR-III



60.6452 IRC

QR-III

Lamp Watt:

35 W

Lamp category:

Halogen low voltage

Socket:

G53

Lamp angle:

24°

Color temperature (K):

3000 °K

Catalog reference:

60.6452 IRC

Lamp type:

QR-III



60.6456 IRC

QR-III

Lamp Watt:

45 W

Lamp category:

Halogen low voltage

Socket:

G53

Lamp angle:

45°

Color temperature (K):

3000 °K

Catalog reference:

60.6456 IRC

Lamp type:

QR-III



60.6458 IRC

QR-III

Lamp Watt:

45 W

Lamp category:

Halogen low voltage

Socket:

G53

Lamp angle:

24°

Color temperature (K):

3000 °K

Catalog reference:

60.6458 IRC

Lamp type:

QR-III



Compass Box Recessed Large 2L
designed by FLOS Architectural

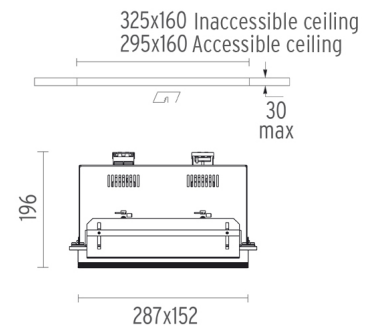
No Trim 12V halogen lamp recessed
downlight. Remote transformer not
included

● 03.2521.14

Black

● 03.2521.30

White



CERTIFICATIONS



Compass Box Recessed Large 2L . Lamps



60.6962

LED QR-III

Lamp Watt:

12 W

Lamp category:

LED

Socket:

G53

Lamp angle:

24 °

Color temperature (K):

2800 °K

Catalog reference:

60.6962

Lamp type:

LED QR-III

60.6989

QR-III

Lamp Watt:

50 W

Lamp category:

Halogen low voltage

Socket:

G53

Lamp angle:

6 °

Color temperature (K):

3000 °K

Catalog reference:

60.6989

Lamp type:

QR-III



Compass Box Recessed Large 2L
designed by FLOS Architectural

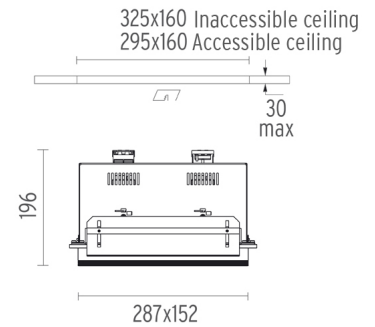
No Trim 12V halogen lamp recessed
downlight. Remote transformer not
included

● 03.2521.14

Black

● 03.2521.30

White



CERTIFICATIONS

