

BON JOUR Ø145

Number of heads	1
Mounting	Ceiling recessed
Lamps description	LED Array DC 900 mA 27W 2600 lm 2700K CRI 90
Luminaire luminous flux	See reference number
Voltage (V)	220/240
Environment	Indoor
Notes	Pre-installation frame must be ordered separately

OPTICAL

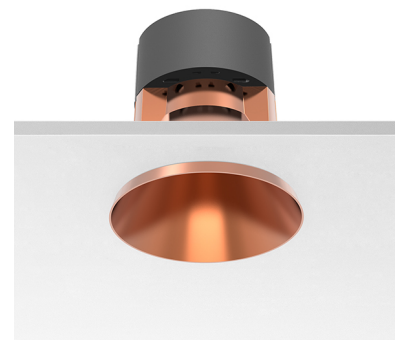
Aiming	Fixed
Light distribution symmetry	Symmetric

ELECTRICAL

Transformer availability	Included
Transformer mounting	Remote
Transformer type	Electronic
Emergency	Without
Insulation class	Class II

PHYSICAL

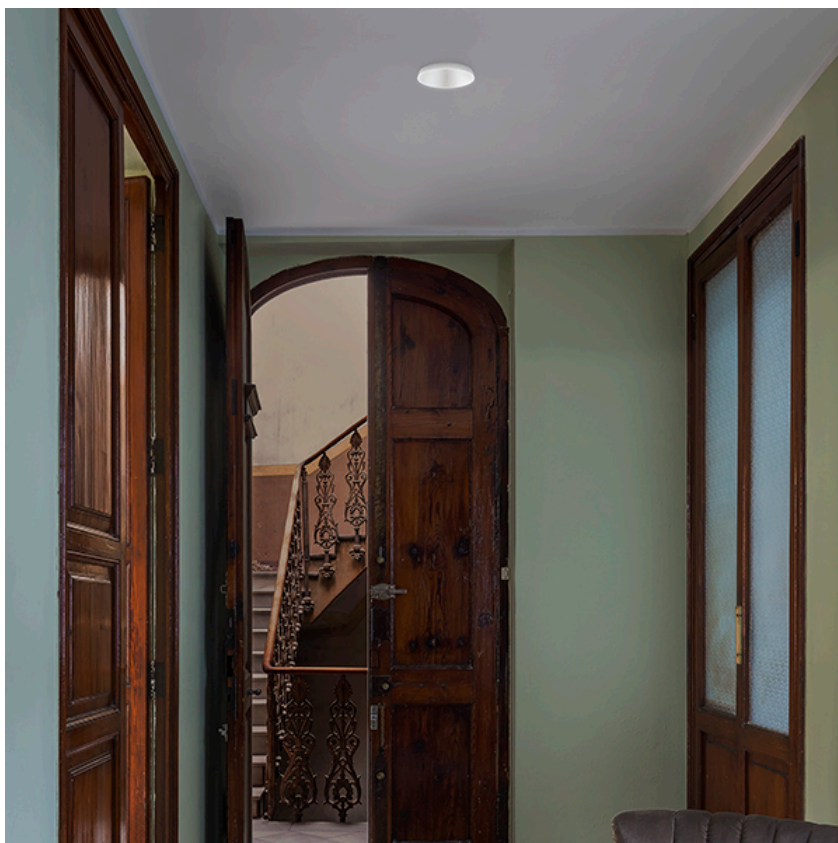
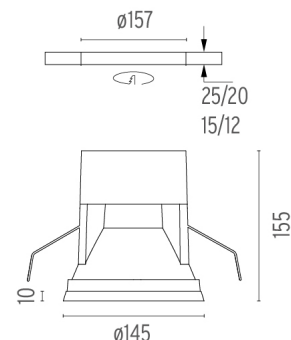
Cutout diameter (mm)	157
Diameter (mm)	145
Recessed depth (mm)	205
Construction material	Injected aluminum
Weight (kg)	1,11



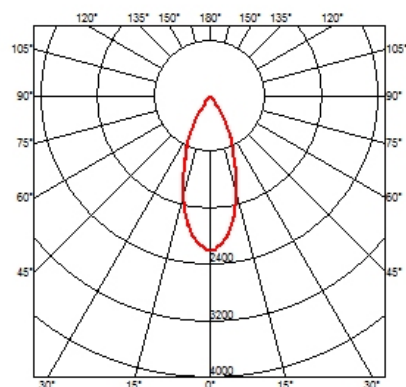
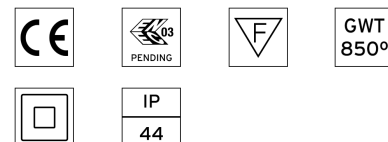
Bon Jour Ø145
designed by Philippe Starck

Embedded luminaire for LED light source. Remote 220/240V power supply included.

- 03.2005.01 - 57° - 1085lm White
- 03.2005.CU - 1063lm Copper
- 03.2005.14 - 484lm Black



CERTIFICATIONS



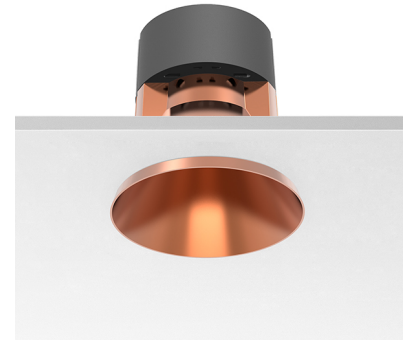
Bon Jour Ø145 . Accessories

Mounting



○ 08.8975.00

Pre-installation frame



Bon Jour Ø145
designed by Philippe Starck

Embedded luminaire for LED light source. Remote 220/240V power supply included.

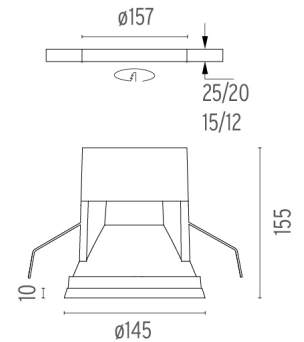
- 03.2005.01 - 57° - 1085lm White
- 03.2005.CU - 1063lm Copper
- 03.2005.14 - 484lm Black

Optical

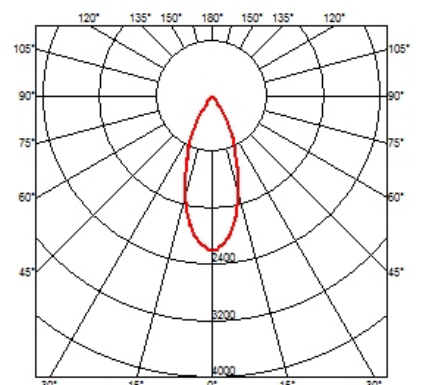
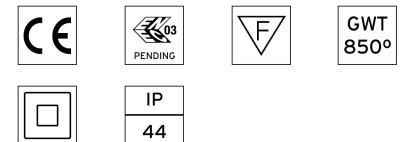


● 08.8980.14

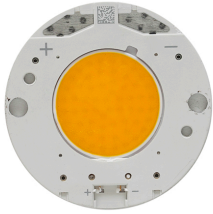
Honeycomb and cross screening cylinder



CERTIFICATIONS



Bon Jour Ø145 . Lamps



LED Array

Lamp category:

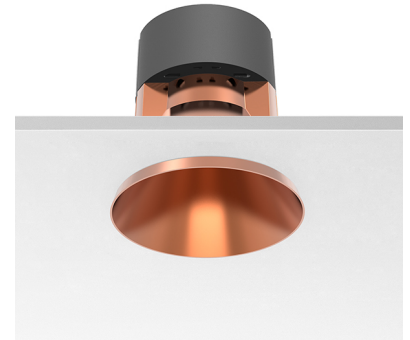
LED

Socket:

Special base

Lamp type:

LED Array

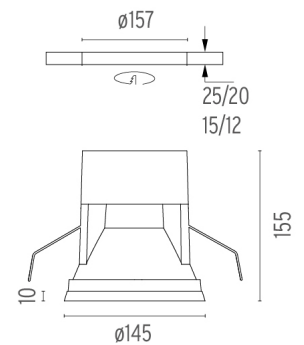


Bon Jour Ø145

designed by Philippe Starck

Embedded luminaire for LED light source. Remote 220/240V power supply included.

- 03.2005.01 - 57° - 1085lm White
- 03.2005.CU - 1063lm Copper
- 03.2005.14 - 484lm Black



CERTIFICATIONS

