

I

ATTENZIONE: LA SICUREZZA DELL'APPARECCHIO È GARANTITA SOLO CON L'USO APPROPRIATO DELLE SEGUENTI ISTRUZIONI. CONSERVARLE CON CURA.

### AVVERTENZE

Prima di eseguire qualsiasi tipo di operazione togliere la tensione in rete.  
Fare attenzione a non superare il Max di watt indicati per l'apparecchio.  
L'apparecchio non può essere usato in ambienti umidi o all'esterno.  
Mai coprire l'apparecchio durante il funzionamento.

Classe di protezione IP20.

Se il cavo flessibile esterno di questo apparecchio viene danneggiato, deve essere sostituito dal costruttore o dal suo servizio di assistenza, o da personale qualificato equivalente, al fine di evitare pericoli.

Il simbolo indica l'utilizzo di lampade autoprotette che non necessitano di schermo di protezione.

Adatto al montaggio su superfici normalmente infiammabili.

Potenza massima della lampada. 250W

Attacco lampada. E27

Tipo lampada. QT-32

Apparecchio classe II



GB

ATTENTION: THE SAFETY OF THE APPLIANCE IS GUARANTEED ONLY IF IT IS PROPERLY USED, ACCORDING TO THE FOLLOWING INSTRUCTIONS, WHICH ARE TO BE KEPT.

### WARNING

Always disconnect the power supply before installing or performing any maintenance operations.  
Make attention of not exceeding the maximum watt indicated on the appliance.  
The appliance may not be used in humid or external environments.  
Never cover the appliance while in function.

Protection class IP20.

If the external flexible cable or cord of this luminaire is damaged, it shall be exclusively replaced by the manufacturer or his service agent or a similar qualified person in order to avoid a hazard.

The symbol mains the use of self-protection lamps, which don't need of any protection screen.

Adaptable for mounting onto surfaces normally inflammable.

Capacity of bulb. 250W

Type of lampholder. E27

Type of bulb. QT-32

Appliance in class II



D

ACHTUNG: DIE SICHERHEIT DIESES BELEUCHTUNGSKÖRPERS WIRD NUR DURCH DIE KORREKTE ANWENDUNG DER NACHSTEHENDEN ANWEISUNGEN GEWÄHRLEISTET. DIESE ÜSSEN DAHER SORGFÄLTIG AUFBEWAHRT WERDEN. WICHTIGE HINWEISE

Bevor irgendwelche Arbeitsgänge ausgeführt werden, muß die Stromversorgung unterbrochen.  
Achten Sie darauf, daß die auf dem Beleuchtungskörper angegebene maximale Wattzahl nicht überschritten wird.  
Der Beleuchtungskörper darf nicht in feuchten Räumen bzw. im Freien eingesetzt werden.  
Den Beleuchtungskörper während dem Betrieb nicht abdecken.  
Schutzklasse IP20.

If the external flexible cable or cord of this luminaire is damaged, it shall be exclusively replaced by the manufacturer or his service agent or a similar qualified person in order to avoid a hazard.

The symbol mains the use of self-protection lamps, which don't need of any protection screen.

Das Gerat eignet sich fuer die Montage auf normal entflammabaren Oberflaechen.

Leistung der Gluehbirne. 250W

Anschluss. E27

Typ der Gluehbirne. QT-32

Gerat der Klasse II



RU

ВНИМАНИЕ: БЕЗОПАСНОСТЬ ОСВЕТИТЕЛЬНОГО ПРИБОРА ГАРАНТИРОВАНА ТОЛЬКО ПРИ УСЛОВИИ ЕГО ЭКСПЛУАТАЦИИ В СООТВЕТСТВИИ С ПРИВЕДЕННЫМИ НИЖЕ ИНСТРУКЦИЯМИ, КОТОРЫЕ НЕОБХОДИМО СОХРАНИТЬ. ВНИМАНИЕ:

Перед выполнением любой операции с осветительным прибором отключить напряжение в сети.  
Не превышать максимально допустимую мощность, указанную для данного осветительного прибора.  
Осветительный прибор не может быть использован во влажных помещениях или на улице.  
Никогда не накрывать осветительный прибор в рабочем режиме.  
Класс защиты IP20.

If the external flexible cable or cord of this luminaire is damaged, it shall be exclusively replaced by the manufacturer or his service agent or a similar qualified person in order to avoid a hazard.

The symbol mains the use of self-protection lamps, which don't need of any protection screen.

пригодный для установки на возгораемых поверхностях.

Максимальная мощность лампы. 250W

Тип цоколя лампочки. E27

Тип лампочки. QT-32

Осветительный прибор КЛАССА II



F

ATTENTION: LA SECURITE DE CET APPAREIL N'EST GARANTIE QUE SI L'ON RESPECTE LES INSTRUCTIONS SUIVANTES. IL EST, PAR CONSEQUENT, INDISPENSABLE DE LES CONSERVER SOIGNEUSEMENT. AVERTISSEMENTS

Avant d'effectuer toute opération, débrancher la tension de réseau.  
Veiller à ne pas dépasser la limite maximale des watts indiquée sur l'appareil.  
Cet appareil ne peut pas être utilisé dans des pièces humides ni à l'extérieur.  
Ne jamais couvrir l'appareil pendant son fonctionnement.

Classe de protection IP20.

If the external flexible cable or cord of this luminaire is damaged, it shall be exclusively replaced by the manufacturer or his service agent or a similar qualified person in order to avoid a hazard.

The symbol mains the use of self-protection lamps, which don't need of any protection screen.

Appareil apte au montage sur surfaces normalement inflammables.

Puissance ampoule. 250W

Culot. E27

Type ampoule. QT-32

Appareil de classe II



P

ATENÇÃO: A SEGURANÇA DO APARELHO É GARANTIDA SOMENTE SE FOREM RESPEITADAS AS INSTRUÇÕES. PORTANTO, É NECESSÁRIO CONSERVÁ-LAS. ADVERTÊNCIAS

Antes de fazer qualquer tipo de operação, desligar a corrente eléctrica da rede.  
Prestar atenção para não superar o número de watts indicados para o aparelho.  
O aparelho não pode ser utilizado em ambientes húmidos ou no exterior.  
Nunca cobrir o aparelho durante o funcionamento.  
Classe de protecção IP20.

If the external flexible cable or cord of this luminaire is damaged, it shall be exclusively replaced by the manufacturer or his service agent or a similar qualified person in order to avoid a hazard.

The symbol mains the use of self-protection lamps, which don't need of any protection screen.

Apropriado para ser montado em superficies normalmente inflamáveis.

Potência máxima da lâmpada. 250W

Tipo de suporte da lâmpada. E27

Tipo de lâmpada. QT-32

Aparelho de CLASSE II



E

ATENCIÓN: LA SEGURIDAD DEL APARATO ESTÁ GARANTIZADA SÓLO POR UN USO ADECUADO DE LAS SIGUIENTES INSTRUCCIONES; POR CONSIGUIENTE, ES PRECISO CONSERVARLAS. ADVERTENCIAS

Antes de llevar a cabo cualquier tipo de operación, desconectar la tensión de la red.  
Prestar atención a no superar el máximo de los vatios indicados en el aparato.  
El aparato no podrá utilizarse en ambientes húmedos ni en exteriores.  
No cubrir jamás el aparato durante el funcionamiento.  
Clase de protección IP20.

If the external flexible cable or cord of this luminaire is damaged, it shall be exclusively replaced by the manufacturer or his service agent or a similar qualified person in order to avoid a hazard.

The symbol mains the use of self-protection lamps, which don't need of any protection screen.

Aparato adecuado para el montaje en superficies normalmente inflamables.

Potencia máxima de la bombilla. 250W

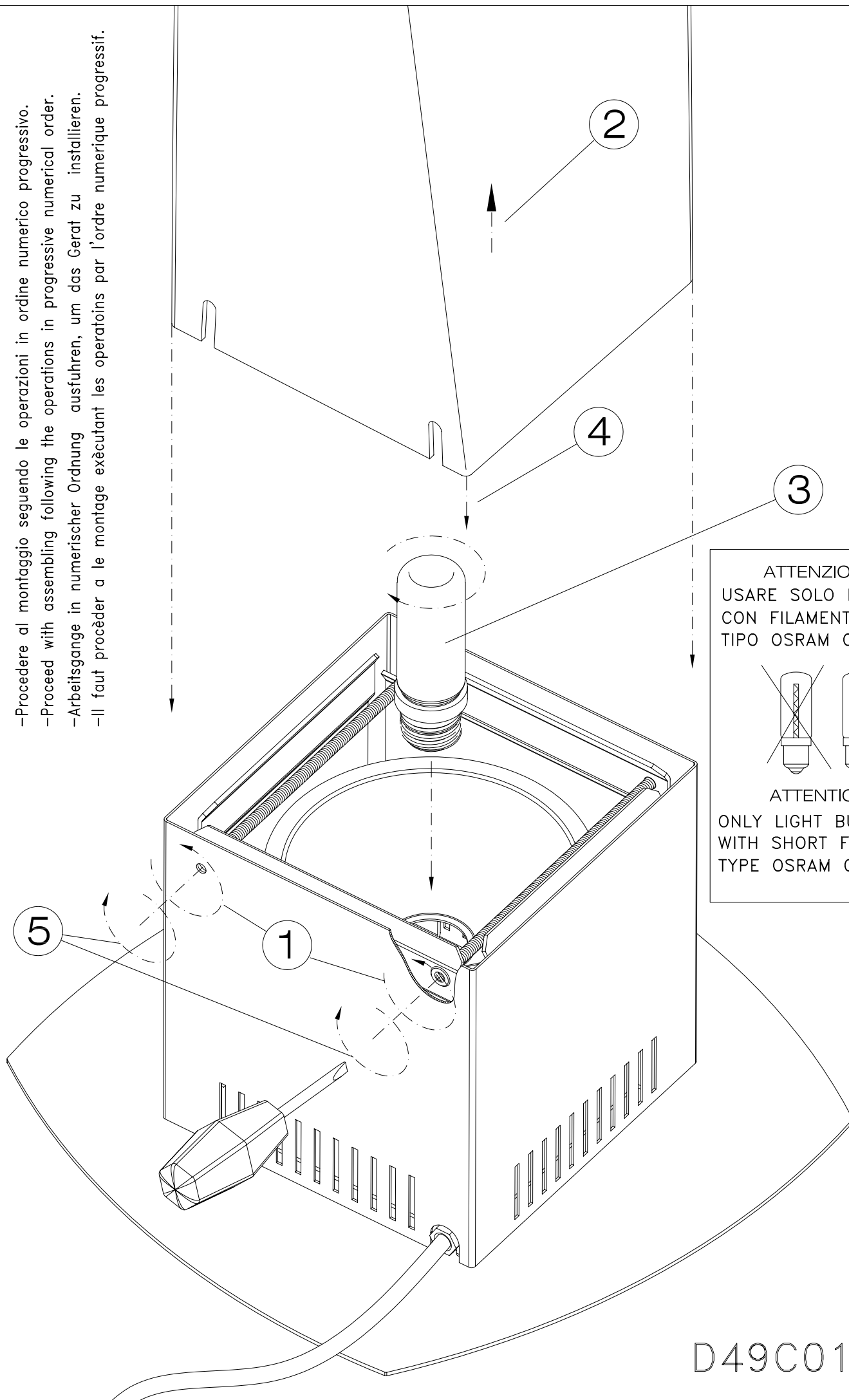
Casquillo de la bombilla. E27

Tipo de bombilla. QT-32

Aparato CLASE II



- Procedere al montaggio seguendo le operazioni in ordine numerico progressivo.
- Proceed with assembling following the operations in progressive numerical order.
- Arbeitsgänge in numerischer Ordnung ausführen, um das Gerät zu installieren.
- Il faut procéder a le montage exécutant les opérations par l'ordre numérique progressif.



**ATTENZIONE!**  
 USARE SOLO LAMPADINE  
 CON FILAMENTO CORTO  
 TIPO OSRAM O EQUIVALENTE

**ATTENTION!**  
 ONLY LIGHT BULBS  
 WITH SHORT FILAMENT  
 TYPE OSRAM OR EQUIVALENT