

Fabbian

50 via Santa Brigida
31020 Castelminio di Resana
Treviso, Italy Tel +39 0423 4848 fax +39 423 484395
fabbian@fabbian.com www.fabbian.com

Swing

(*)D48G01 (**) D48G03 (***)D48G05

I

ATTENZIONE: LA SICUREZZA DELL'APPARECCHIO È GARANTITA SOLO CON L'USO APPROPRIATO DELLE SEGUENTI ISTRUZIONI. CONSERVARLE CON CURA.

AVVERTENZE

Prima di eseguire qualsiasi tipo di operazione togliere la tensione in rete.

Fare attenzione a non superare il Max di watt indicati per l'apparecchio.

L'apparecchio non può essere usato in ambienti umidi o all'esterno.

Proteggere i cavi d'alimentazione della rete con le apposite guaine in vetro silicone.

Mai coprire l'apparecchio durante il funzionamento.

L'apparecchio deve essere equipaggiato con lampade autoprotette che non necessitano di schermo di protezione.

Se il cavo flessibile esterno di questo apparecchio viene danneggiato, deve essere sostituito dal costruttore o dal suo servizio di assistenza, o da personale qualificato equivalente, al fine di evitare pericoli.

Potenza massima della lampada.	(*) 1x 50W	(**) 2x 50W	(***) 4x 50W
Attacco lampada.	G53	G53	G53
Tipo lampada.		QR111	
	(*) - (**) Apparecchio classe II		(***) Apparecchio classe I
		Classe di protezione.	IP20
		Adatto al montaggio su superfici normalmente infiammabili.	

GB

ATTENTION: THE SAFETY OF THE APPLIANCE IS GUARANTEED ONLY IF IT IS PROPERLY USED, ACCORDING TO THE FOLLOWING INSTRUCTIONS, WHICH ARE TO BE KEPT.

WARNING

Always disconnect the power supply before installing or performing any maintenance operations.

Make attention of not exceeding the maximum watt indicated on the appliance.

The appliance may not be used in humid or external environments.

Protected the main supply cables with the special silicone-glass sheaths.

Never cover the appliance while in function.

If the external flexible cable or cord of this luminaire is damaged, it shall be exclusively replaced by the manufacturer or his service agent or a similar qualified person in order to avoid a hazard.

Capacity of bulb.	(*) 1x 50W	(**) 2x 50W	(***) 4x 50W
Type of lampholder.	G53	G53	G53
Type of bulb.		QR111	
	(*) - (**) Appliance in class II		(***) Appliance in class I
		Protection class.	IP20
		Adaptable for mounting onto surfaces normally inflammable.	
		The symbol mains the use of self-protection lamps which don't need of any protection scream.	

D

ACHTUNG: DIE SICHERHEIT DIESES BELEUCHTUNGSKÖRPERS WIRD NUR DURCH DIE KORREKTE ANWENDUNG DER NACHSTEHENDEN ANWEISUNGEN GEWÄHRLEISTET. DIESE ÜSSEN DAHER SORGFÄLTIG AUFBEWAHRT WERDEN.:
WICHTIGE HINWEISE

Der Beleuchtungskörper darf nicht in feuchten Räumen bzw. im Freien eingesetzt werden.

Bevor irgendwelche Arbeitsgänge ausgeführt werden, muß die Stromversorgung unterbrochen.

Achten Sie darauf, daß die auf dem Beleuchtungskörper angegebene maximale Wattzahl nicht überschritten wird.

Protected the main supply cables with the special silicone-glass sheaths.

Den Beleuchtungskörper während dem Betrieb nicht abdecken.

The symbol mains the use of self-protection lamps which don't need of any protection scream.

If the external flexible cable or cord of this luminaire is damaged, it shall be exclusively replaced by the manufacturer or his service agent or a similar qualified person in order to avoid a hazard.

Leistung der Gluehbirne.	(*) 1x 50W	(**) 2x 50W	(***) 4x 50W
Anschluss.	G53	G53	G53
Typ der Gluehbirne.		QR111	
	(*) - (**) Gerat der Klasse II		(***) Gerat der Klasse I
		Schutzklasse	IP20
		Das Gerat eignet sich fuer die Montage auf normal entflammabaren Oberflaechen.	

RU

ВНИМАНИЕ: БЕЗОПАСНОСТЬ ОСВЕТИТЕЛЬНОГО ПРИБОРА ГАРАНТИРОВАНА ТОЛЬКО ПРИ УСЛОВИИ ЕГО ЭКСПЛУАТАЦИИ В СООТВЕТСТВИИ С ПРИВЕДЕННЫМИ НИЖЕ ИНСТРУКЦИЯМИ, КОТОРЫЕ НЕОБХОДИМО СОХРАНИТЬ.
ВНИМАНИЕ:

Осветительный прибор не может быть использован во влажных помещениях или на улице.

Перед выполнением любой операции с осветительным прибором отключить напряжение в сети.

Не превышать максимально допустимую мощность, указанную для данного осветительного прибора.

Никогда не накрывать осветительный прибор в рабочем режиме.

Protected the main supply cables with the special silicone-glass sheaths.

The symbol mains the use of self-protection lamps which don't need of any protection scream.

If the external flexible cable or cord of this luminaire is damaged, it shall be exclusively replaced by the manufacturer or his service agent or a similar qualified person in order to avoid a hazard.

Максимальная мощность лампочки	(*) 1x 50W	(**) 2x 50W	(***) 4x 50W
Тип цоколя лампочки	G53	G53	G53
Тип лампочки		QR111	
	(*) - (**) Осветительный прибор КЛАССА II		КЛАССА I
		Класс защиты	IP20
		пригодный для установки на возгораемых поверхностях	

F

ATTENTION: LA SECURITE DE CET APPAREIL N'EST GARANTIE QUE SI L'ON RESPECTE LES INSTRUCTIONS SUIVANTES. IL EST, PAR CONSEQUENT, INDISPENSABLE DE LES CONSERVER SOIGNEUSEMENT.

AVERTISSEMENTS

Ne jamais couvrir l'appareil pendant son fonctionnement

Avant d'effectuer toute opération, débrancher la tension de réseau.

Veiller à ne pas dépasser la limite maximale des watts indiquée sur l'appareil.

Cet appareil ne peut pas être utilisé dans des pièces humides ni à l'extérieur.

Protected the main supply cables with the special silicone-glass sheaths.

If the external flexible cable or cord of this luminaire is damaged, it shall be exclusively replaced by the manufacturer or his service agent or a similar qualified person in order to avoid a hazard.

Puissance ampoule.	(*) 1x 50W	(**) 2x 50W	(***) 4x 50W
Culot.	G53	G53	G53
Type ampoule.		QR111	
	(*) - (**) Appareil de classe II		(***) Appareil de classe I
		Classe de protection.	IP20
		Appareil apte au montage sur surfaces normalement inflammables	

P

ATENÇÃO: A SEGURANÇA DO APARELHO É GARANTIDA SOMENTE SE FOREM RESPEITADAS AS INSTRUÇÕES. PORTANTO, É NECESSÁRIO CONSERVÁ-LAS.

ADVERTÊNCIAS

Nunca cobrir o aparelho durante o funcionamento.

Antes de fazer qualquer tipo de operação, desligar a corrente eléctrica da rede.

Prestar atenção para não superar o número de watts indicados para o aparelho.

O aparelho não pode ser utilizado em ambientes húmidos ou no exterior.

Protected the main supply cables with the special silicone-glass sheaths.

If the external flexible cable or cord of this luminaire is damaged, it shall be exclusively replaced by the manufacturer or his service agent or a similar qualified person in order to avoid a hazard.

Potência máxima da lâmpada.	(*) 1x 50W	(**) 2x 50W	(***) 4x 50W
Tipo de suporte da lâmpada.	G53	G53	G53
Tipo de lâmpada.		QR111	
	(*) - (**) Aparelho de CLASSE II		(***) Aparelho de CLASSE I
		Classe de protecção.	IP20
		Apropriado para ser montado em superficies normalmente inflamáveis.	

E

ATENCIÓN: LA SEGURIDAD DEL APARATO ESTÁ GARANTIZADA SÓLO POR UN USO ADECUADO DE LAS SIGUIENTES INSTRUCCIONES; POR CONSIGUIENTE, ES PRECISO CONSERVARLAS.

ADVERTENCIAS

No cubrir jamás el aparato durante el funcionamiento.

Antes de llevar a cabo cualquier tipo de operación, desconectar la tensión de la red.

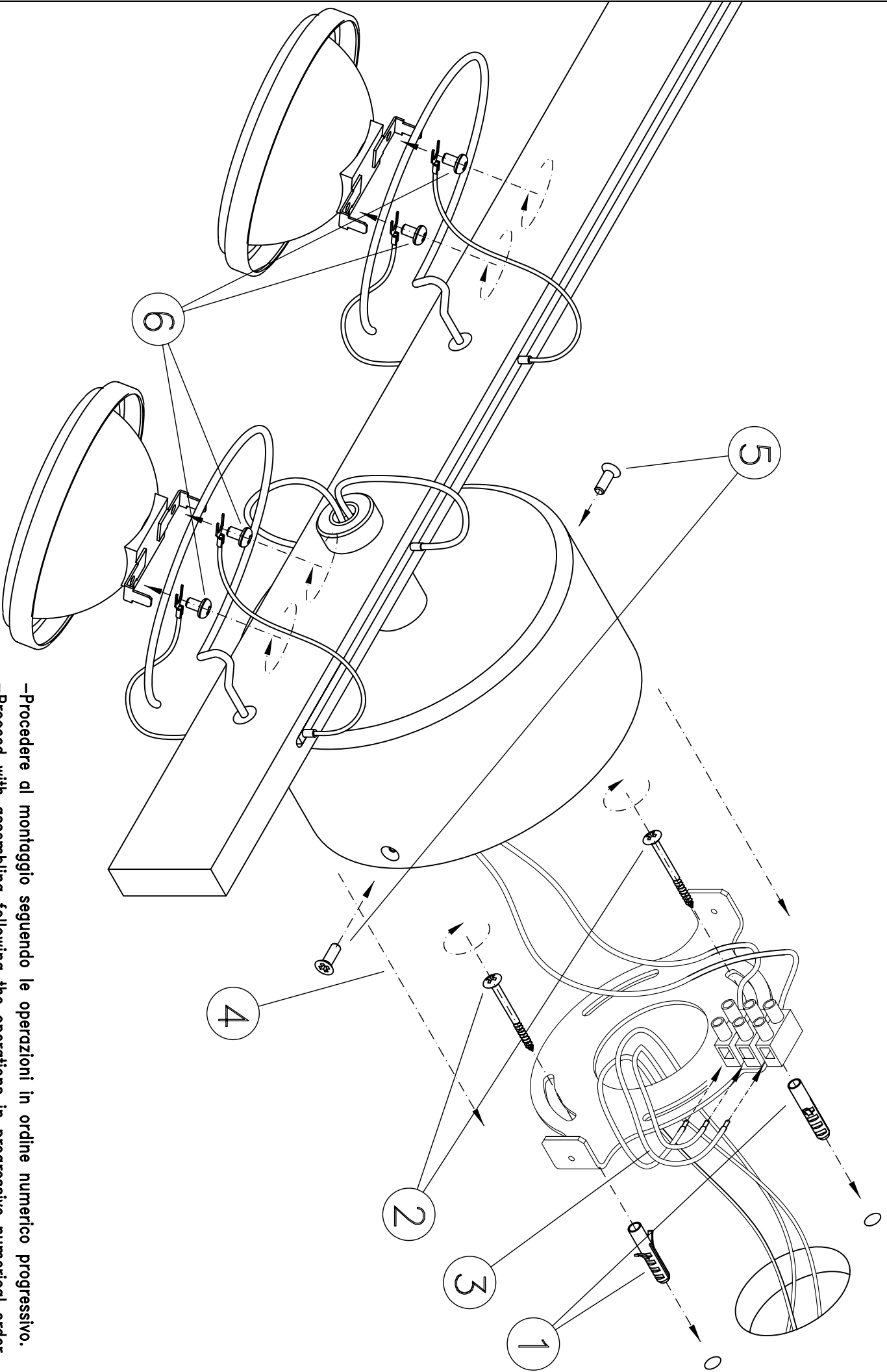
Prestar atención a no superar el máximo de los vatios indicados en el aparato.

El aparato no podrá utilizarse en ambientes húmedos ni en exteriores.

Protected the main supply cables with the special silicone-glass sheaths.

If the external flexible cable or cord of this luminaire is damaged, it shall be exclusively replaced by the manufacturer or his service agent or a similar qualified person in order to avoid a hazard.

Potencia máxima de la bombilla.	(*) 1x 50W	(**) 2x 50W	(***) 4x 50W
Casquillo de la bombilla.	G53	G53	G53
Tipo de bombilla.		QR111	
	(*) - (**) Aparato CLASE II		(***) Aparato de CLASE I
		Clase de protección	IP20
		Aparato adecuado para el montaje en superficies normalmente inflamables.	



- Procedere al montaggio seguendo le operazioni in ordine numerico progressivo.
- Proceed with assembling following the operations in progressive numerical order.
- Arbeitsgange in numerischer Ordnung ausführen, um das Gerät zu installieren.
- Il faut procéder a le montage exécutant les opérations par l'ordre numérique progressif.

D48G05