

Item type

Wall lamp

Item name

Bonheur

Item no

113373

Attention! Turn off the electricity supply at the main circuit panel before installing. Do not connect the electricity supply until your luminaire is fully assembled and installed.

Care instructions:

Wipe with a soft dry cloth, do not use chemicals or abrasive cleaning materials.

Eichholtz B.V.

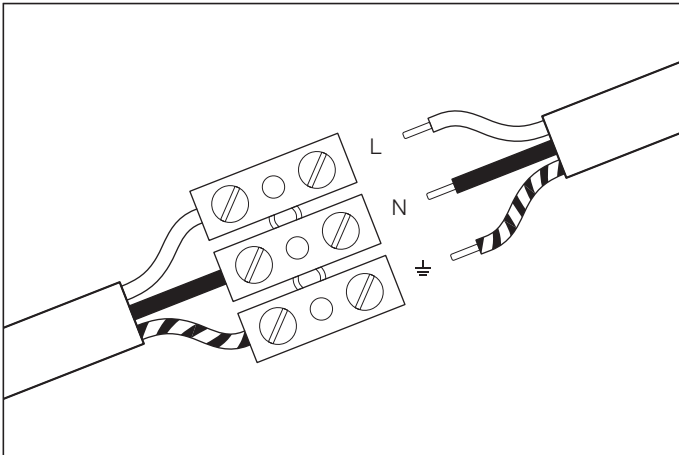
Delfweg 52

2211 VN Noordwijkerhout

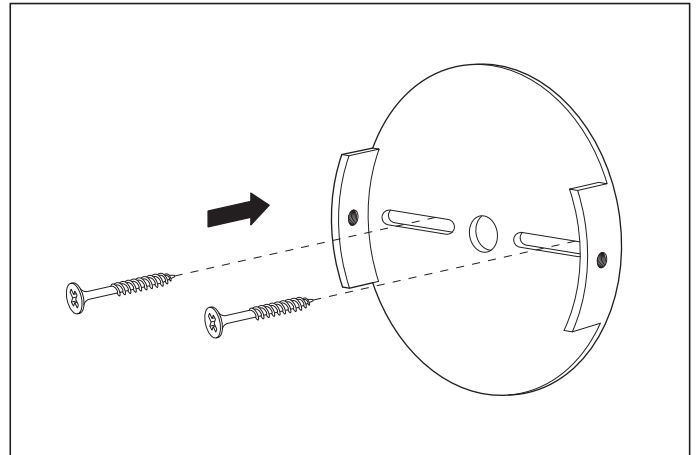
The Netherlands

www.eichholtz.com service@eichholtz.com

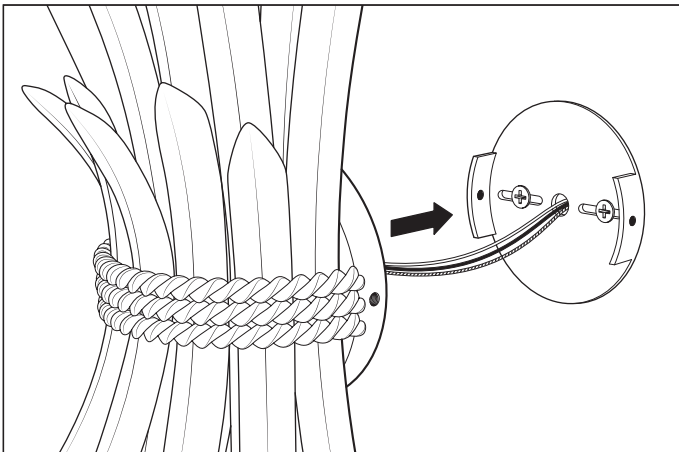
+31 (0)252 515 850



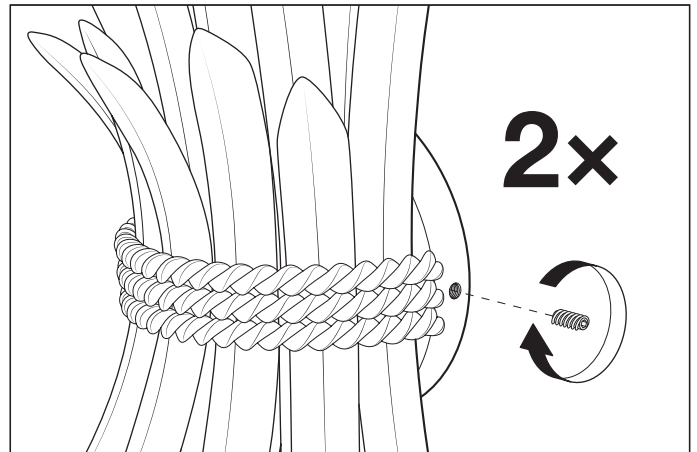
1. Connect the 3 wires according to their colours. Brown is the live wire, blue is the neutral wire, green/yellow is the earth wire.



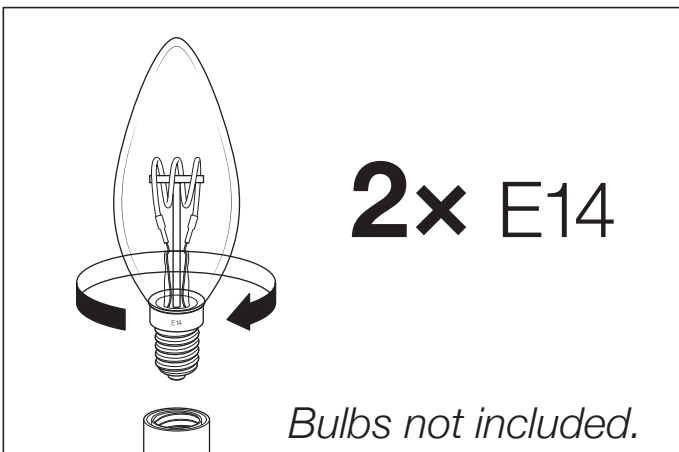
2. Fix the wall plate to the wall by using wall mounting plugs and screws suitable for your wall type.



3. Carefully place the lamp over the wall plate and align the holes in the wall plate with the holes in the lamp.



4. Use an allen key to secure the screws on both sides of the lamp.



5. Place the shade and then carefully place the bulbs in the fittings. Do NOT turn the bulbs further than necessary, to prevent damage to the fitting.