



**1**

③ 800mm  
④ 920mm  
② 665mm  
① 518mm

① K D A C  $\phi 518$

② J E A C  $\phi 665$

③ I F A C  $\phi 800$

④ H G A B  $\phi 920$

A-8PCS B-2PCS C-6PCS D-2PCS E-2PCS F-2PCS G-2PCS H-2PCS I-2PCS J-2PCS K-2PCS

M10\*1.5粗牙  
M10  
M10

Fix the threaded rods (K) to the frame according to the drawing. Slide parts (D) over the rods. Place the 518mm ring over the rods. Slide tube (A) over the end of the rod and fix it with the nut (C).

Fix the threaded rods (J) to the frame according to the drawing. Slide parts (E) over the rods. Place the 665mm ring over the rods. Slide tube (A) over the end of the rod and fix it with the nut (C).

Fix the threaded rods (I) to the frame according to the drawing. Slide parts (F) over the rods. Place the 800mm ring over the rods. Slide tube (A) over the end of the rod and fix it with the nut (C).

Fix the threaded rods (H) to the frame according to the drawing. Slide parts (G) over the rods. Place the 920mm ring over the rods. Slide tube (A) over the end of the rod and fix it with the nut (C).

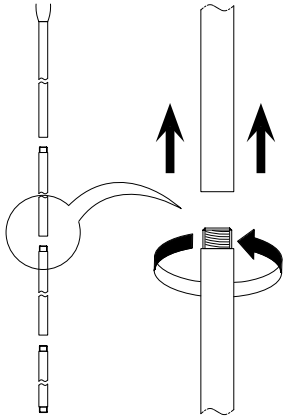


E I C H H O L T Z

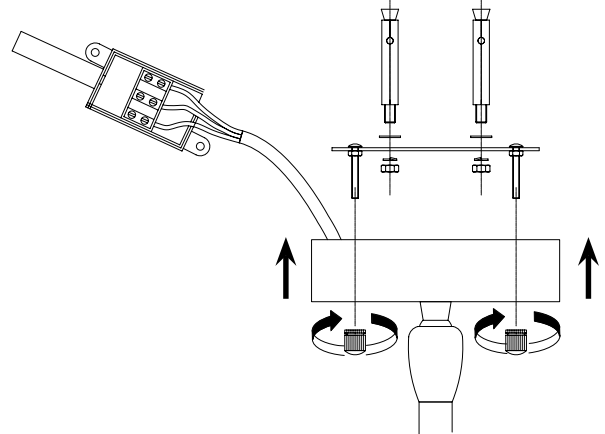
113251 CHANDELIER SPACE

ASSEMBLY INSTRUCTION

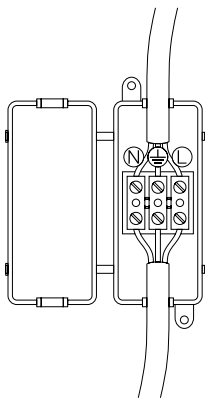
- 1** Turn-off the electricity supply at main circuit panel before installing. Do not connect electricity supply until your ceiling light is fully assembled and installed.  
Determine the desired height of your chandelier and connect the extension pipes.



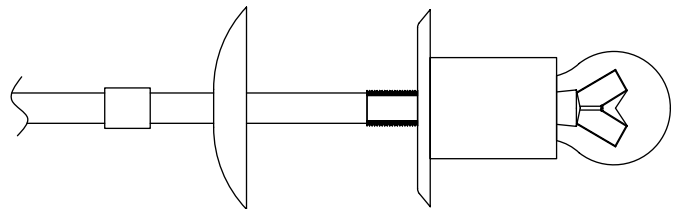
- 2** Fix the ceiling plate (A) to the ceiling by using mounting plugs and screws suitable to your ceiling type. Guide the wires through the plate. Place or hold the lamp in an elevated position in such a way that the wires can freely reach the ceiling junction box.



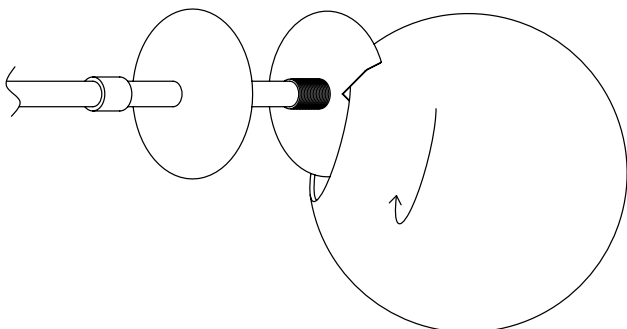
- 4** Connect the 3 power wires according to their colours. Brown is the live wire, blue is the neutral wire, green/yellow is the earth wire.  
Place the ceiling canopy (B) flush against the ceiling and fix it securely with the two nuts supplied.



- 6** Place the bulbs.



- 7** Place the glass lampshade over the lampholder by tilting it around the gap in the plate and rotating it.



- 8** Align the glass lampshade with the lamp holder. Fix the glass by tightening the nut.

