

**Item type**

Wall lamp

**Item name**

Larabee

**Item no**

113133

**Attention!** Do not connect your luminaire to electricity until it is fully assembled.

**Care instructions:**

Wipe with a soft dry cloth, do not use chemicals or abrasive cleaning materials.

**Eichholtz B.V.**

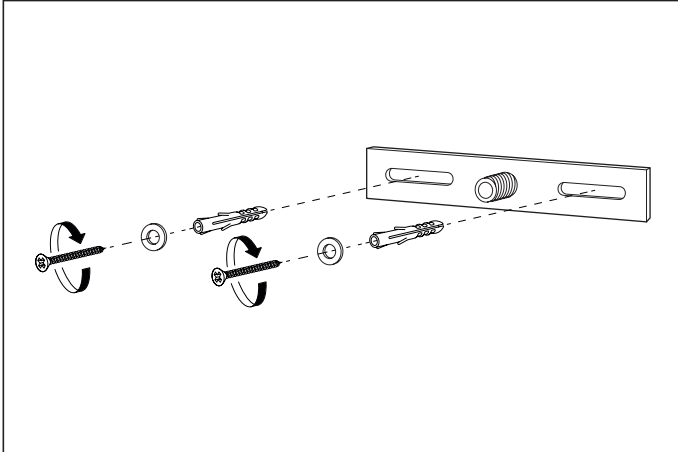
Delfweg 52

2211 VN Noordwijkerhout

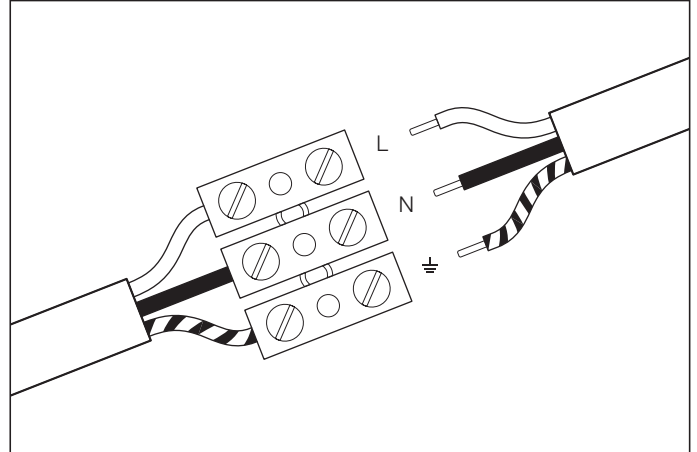
The Netherlands

[www.eichholtz.com](http://www.eichholtz.com) [service@eichholtz.com](mailto:service@eichholtz.com)

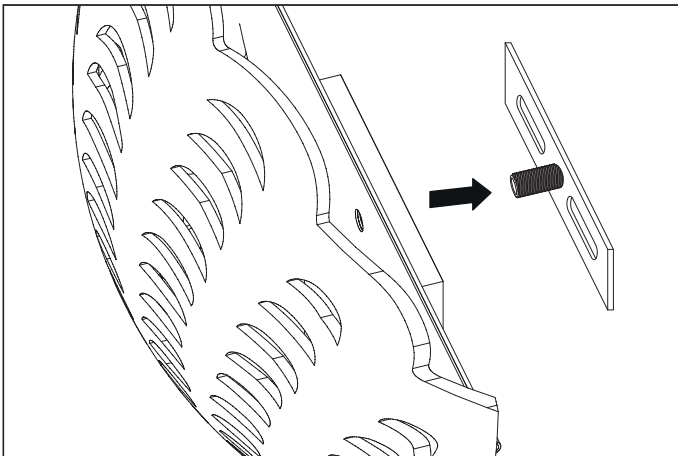
+31 (0)252 515 850



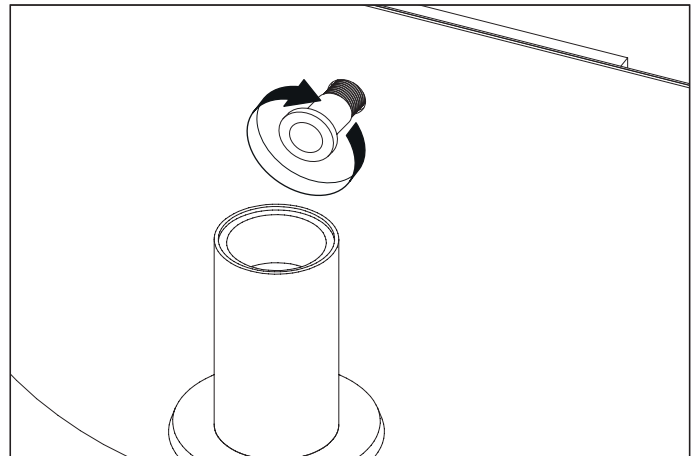
1. Fix the wall plate to the wall by using wall mounting plugs and screws suitable for your wall type.



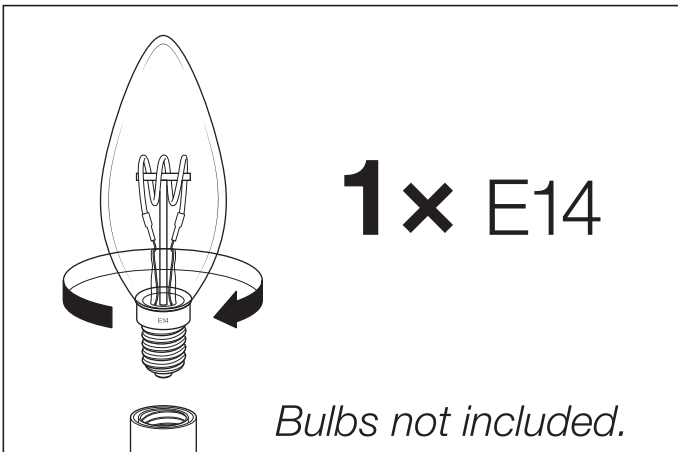
2. Connect the 3 wires according to their colours. Brown is the live wire, blue is the neutral wire, green/yellow is the earth wire.



3. Carefully slide the lamp over the crossbar.



4. Tighten the knob until the lamp is secure.



5. Carefully place the bulb in the fitting. Do NOT turn the bulb further than necessary, to prevent damage to the fitting.