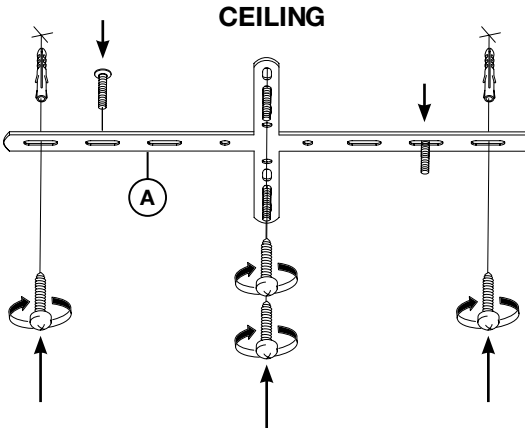
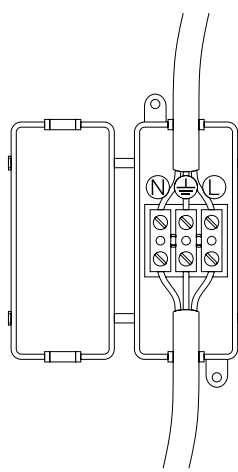
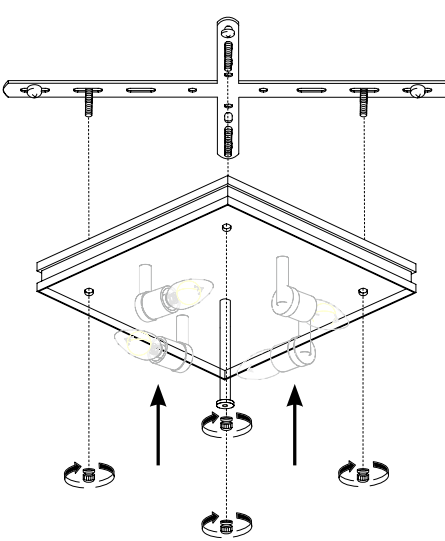
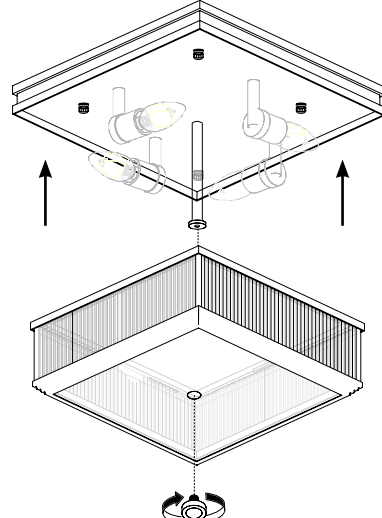




E I C H H O L T Z

112857 CEILING LAMP MARLY

ASSEMBLY INSTRUCTION

<p>1</p> <p>CEILING</p> 	<p>2</p> 
<p>3</p> 	<p>4</p> 
<p>Turn off the electricity supply at the main circuit panel before installing. Do not connect the electricity supply until your luminaire is fully assembled and installed.</p> <p>Fix the ceiling bracket (A) to the ceiling by using mounting plugs and screws suitable to your ceiling type.</p> <p>Connect the 3 power wires according to their colours. Brown is the live wire, blue is the neutral wire, green/yellow is the earth wire.</p> <p>Place the lamp over the ceiling bracket and secured it with four nuts.</p> <p>Place the bulbs.</p> <p>Place the glass and secure it with finial.</p>	<p>FINAL</p> 