



E I C H H O L T Z

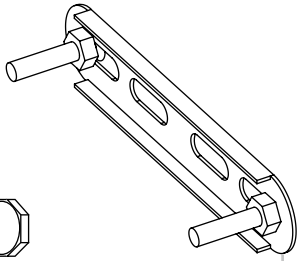
111888 WALL LAMP AVANT

ASSEMBLY INSTRUCTION

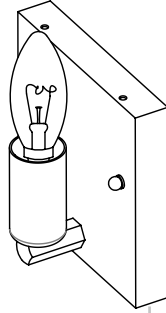
PARTS



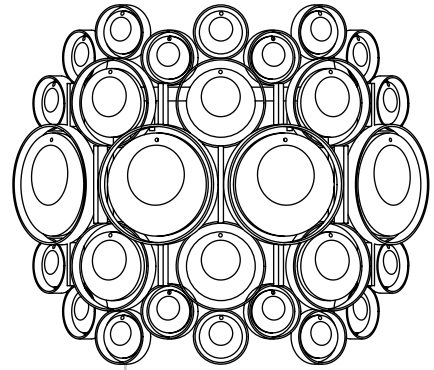
NUTS



CROSSBAR (A) 1X

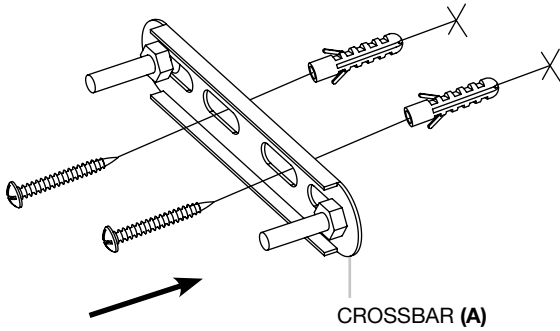


LAMP



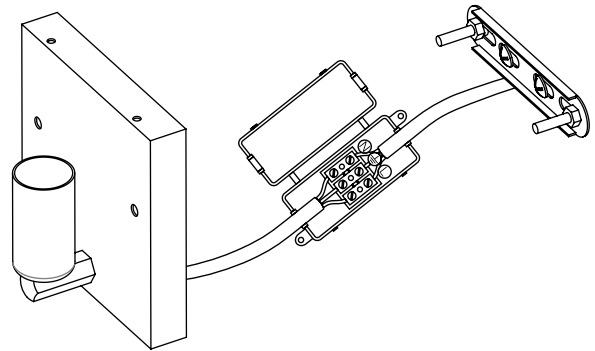
GLASS LAMP

1

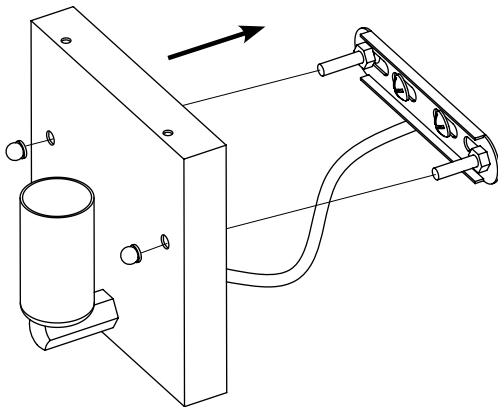


CROSSBAR (A)

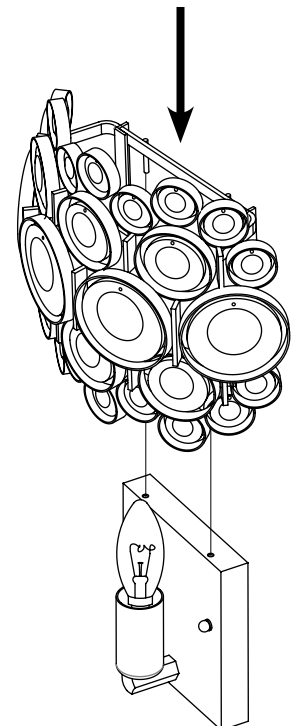
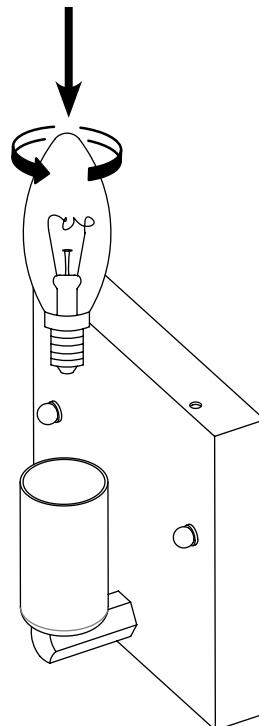
2



3



4



Turn off the electricity supply at the main circuit panel before installing.
Do not connect the electricity supply until your luminaire is fully assembled and installed.

Fix the cross bars (A) to the wall according to these measurements, by using wall mounting plugs and screws suitable to your wall type.

Connect the 3 wires according to their colours. Brown is the live wire, blue is the neutral wire, green/yellow is the earth wire.

Place the lamp over the cross bar and fix it securely with the nuts (B) supplied. Place the bulb and place the glass part over the lamp.