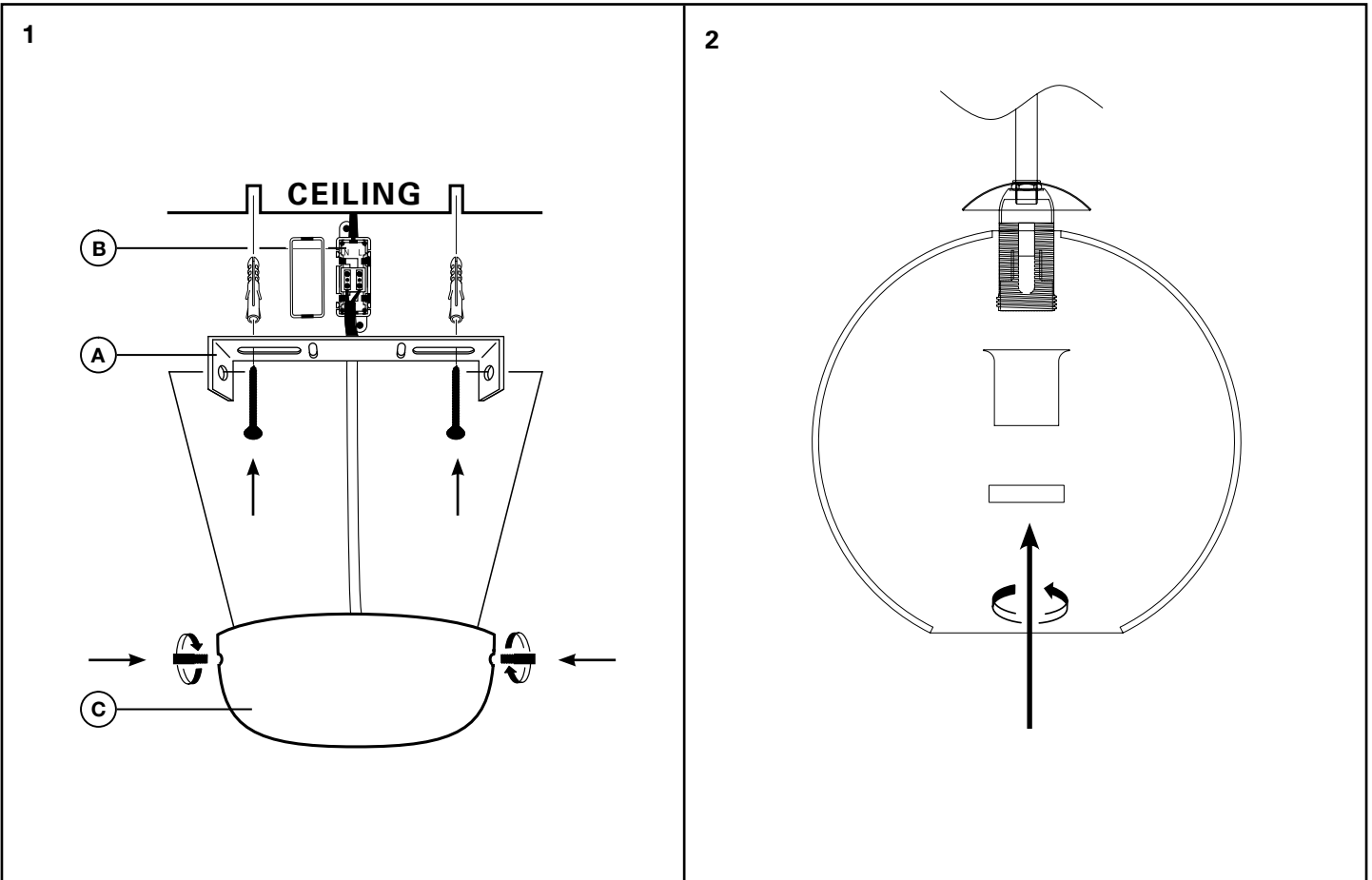




E I C H H O L T Z

111865 CEILING LAMP SOLEIL

ASSEMBLY INSTRUCTION



Turn-off the electricity supply at main circuit panel before installing.  
Do not connect electricity supply until your ceiling light is fully assembled and installed.

Fix the crossbar (A) to the ceiling by using mounting plugs and screws suitable to your ceiling type.

Open the wire connector (B) and connect the 3 power wires according to their colours . Brown is the live wire, blue is the neutral wire, green/ yellow is the earthwire.

Place the ceiling canopy (C) over the crossbar and fix it securely with the screws supplied.

Slide the glass over the lampholder. While holding the glass in place slide the metal sleeve over the lampholder and secure it with the ring.

**CARE INSTRUCTION**

Wipe clean with soft, dry cloth.

Always avoid the use of harsh chemicals or abrasive cleaners as they may cause damage to the fixture's finish.

**FINAL**

