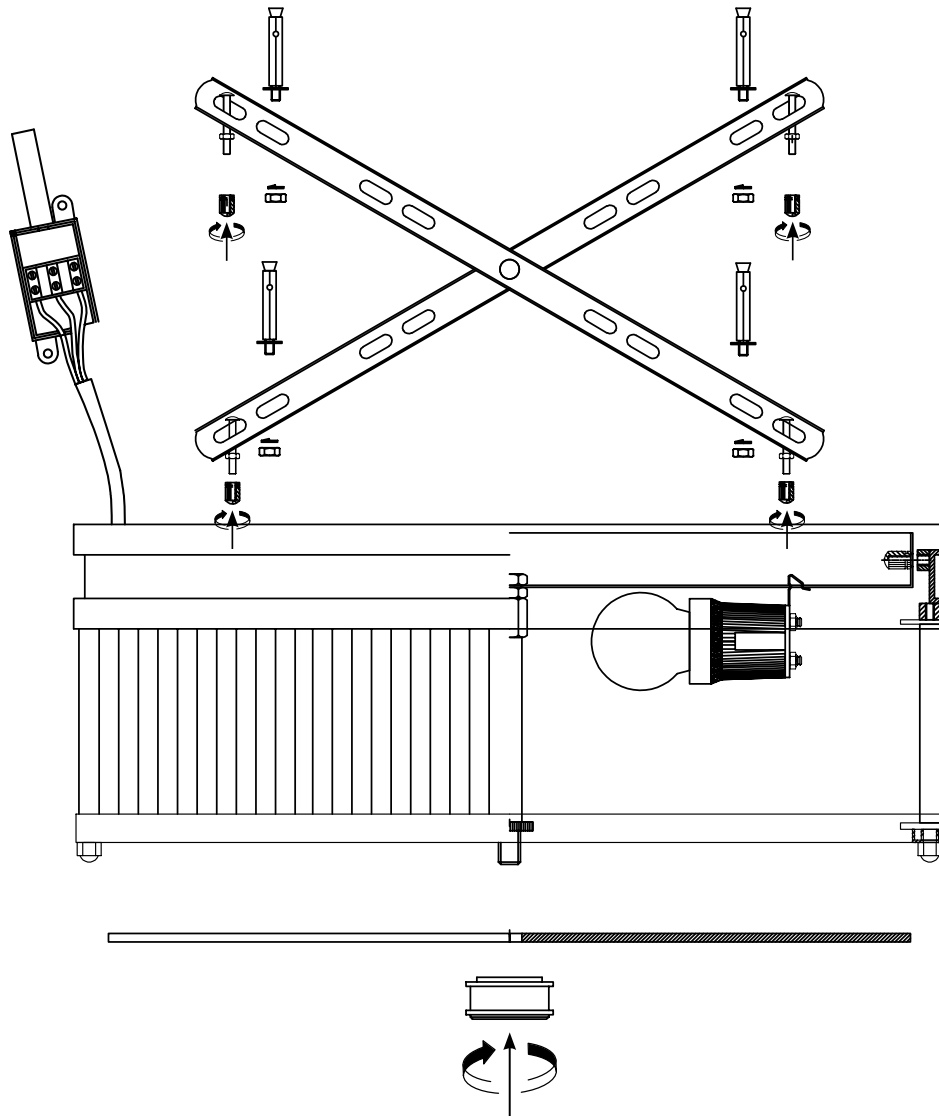




E I C H H O L T Z

111021 CEILING LAMP CORNWALL

ASSEMBLY INSTRUCTION



1. Fix the ceiling bracket to your ceiling using mounting plugs and screws suitable to your ceiling type.
2. Connect the wires according to their colours, brown is the live wire, blue is the neutral wire, green/yellow is the earth wire.
3. Place the lamp over the ceiling bracket and secure it with four nuts.
4. Place the light bulbs.
5. Place the glass and secure it with the finial.

