

Item type
Floor lamp

Item name
Vertigo

Item no
110509

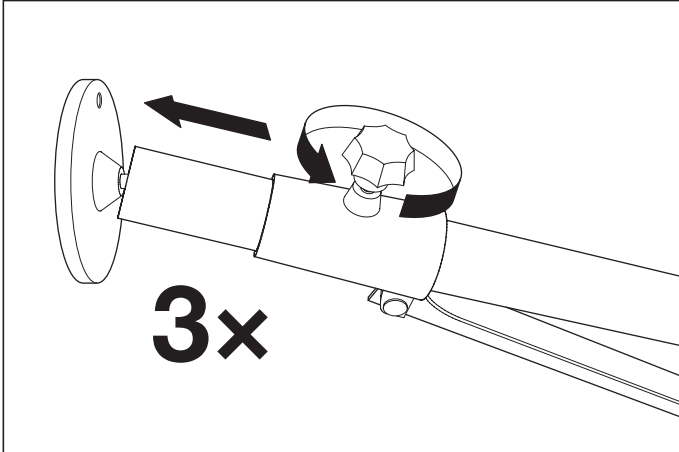


Attention! Do not connect your luminaire to electricity until it is fully assembled.

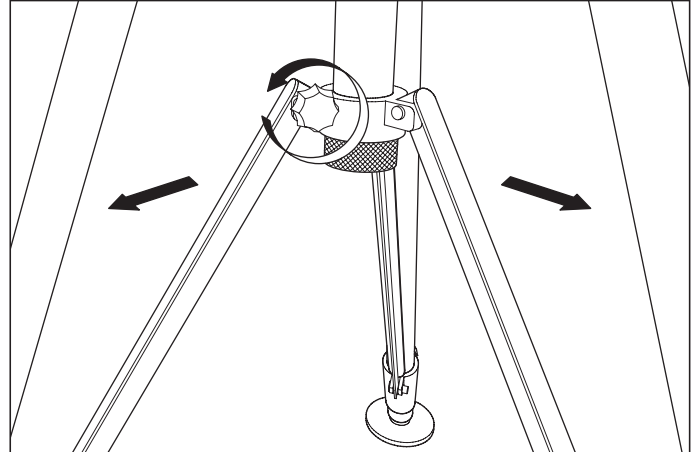
Care instructions:
Wipe with a soft dry cloth, do not use chemicals or abrasive cleaning materials.

Eichholtz B.V.
Delfweg 52
2211 VN Noordwijkerhout
The Netherlands

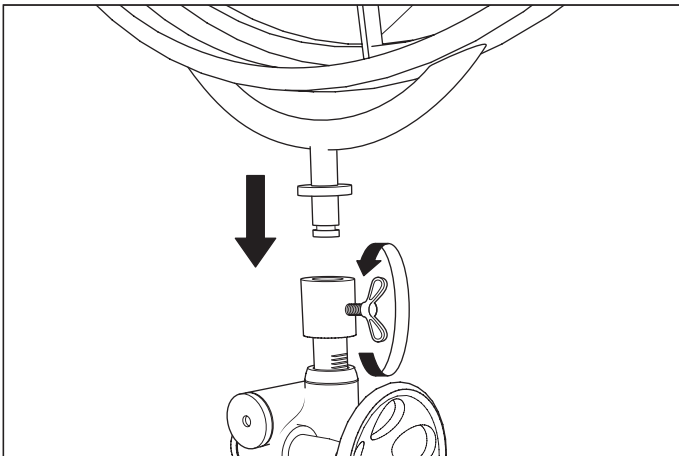
🏠 www.eichholtz.com
✉ service@eichholtz.com
☎ +31 (0)252 515 850



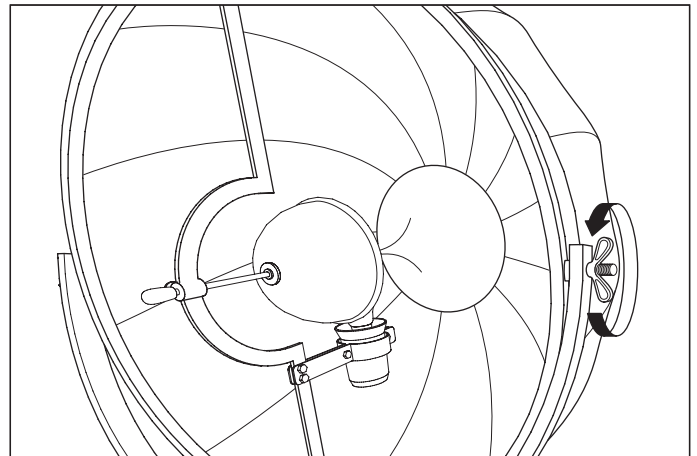
1. Loosen all three knobs by turning them anti-clockwise. Extend the legs one by one and tighten the knobs until the legs are secure.



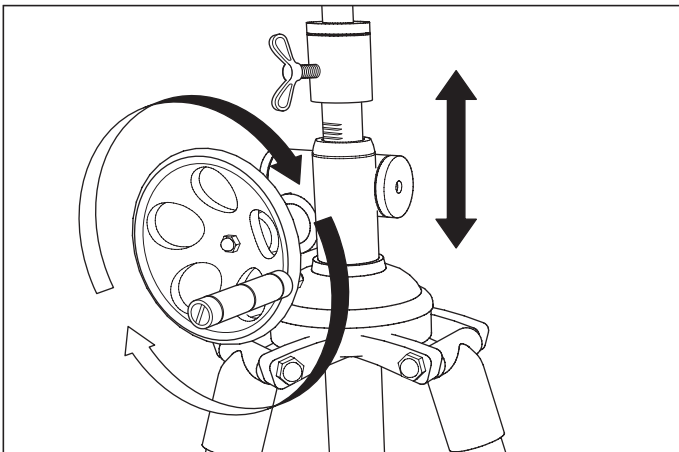
2. Loosen the centre knob and tighten it after placing the stand upright.



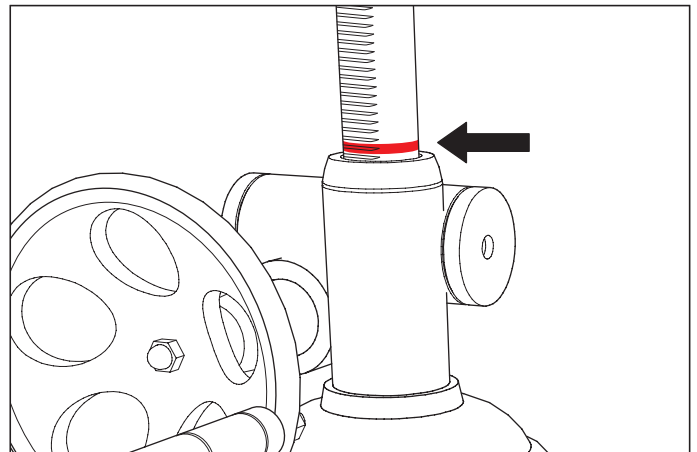
3. Loosen the knob and place the lamp on the stand, tighten the knob to secure it.



4. To adjust the position of the shade loosen the wing nuts on the sides and tighten them to secure it in the desired position.



5. To change the height of the lamp, turn the wheel clockwise.



6. Do NOT turn the wheel beyond the red mark on the centre pipe to avoid damage to the mechanism.