



E I C H H O L T Z

110032 WALL LAMP AMALFI

ASSEMBLY INSTRUCTION

PARTS



CAP NUTS 2X (C)



WALL PLATE 1X (A)

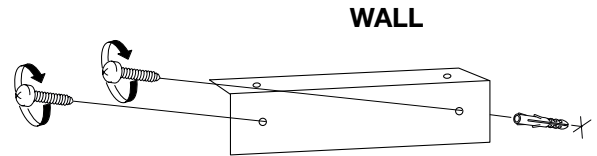


SCREWS 2X (B)

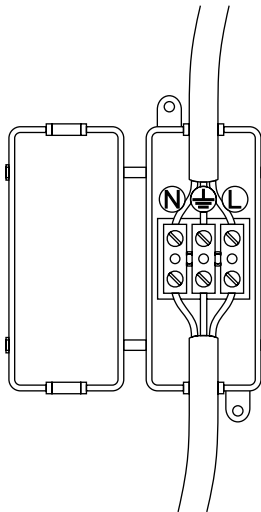


LAMP

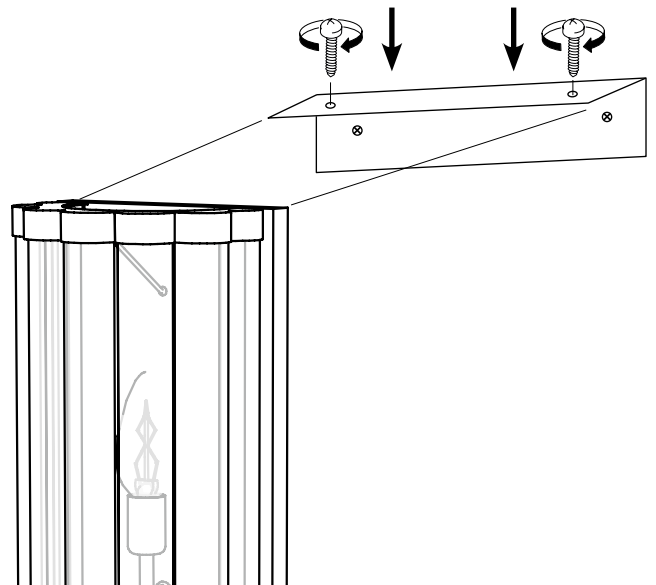
1 Fix the wall plate (A) to the wall.



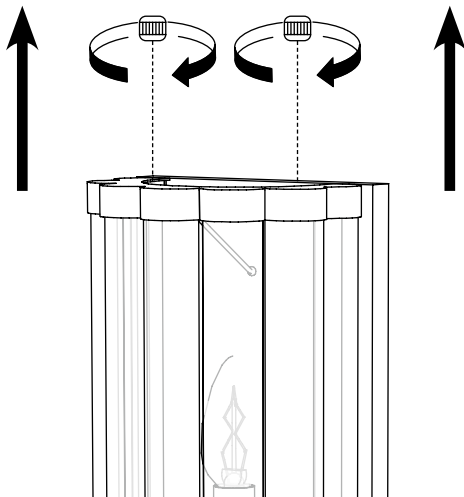
2 Connect the 3 wires according to their colours. Brown is the live wire, blue is the neutral wire, green/yellow is the earth wire.



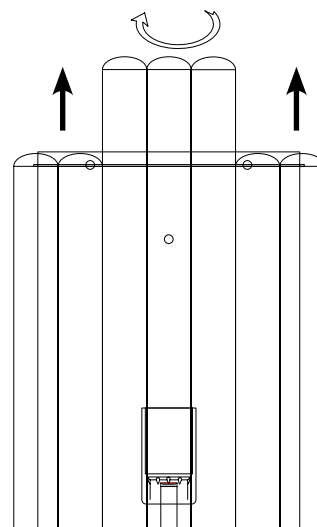
3 Fix the lamp to the wall plate with the two screws (B)



4 Remove the two cap nuts (C) and the top plate.



5 Remove the three middle glass tubes



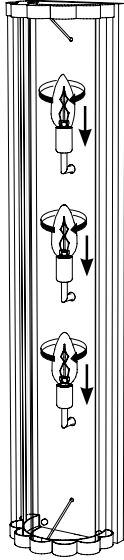


E I C H H O L T Z

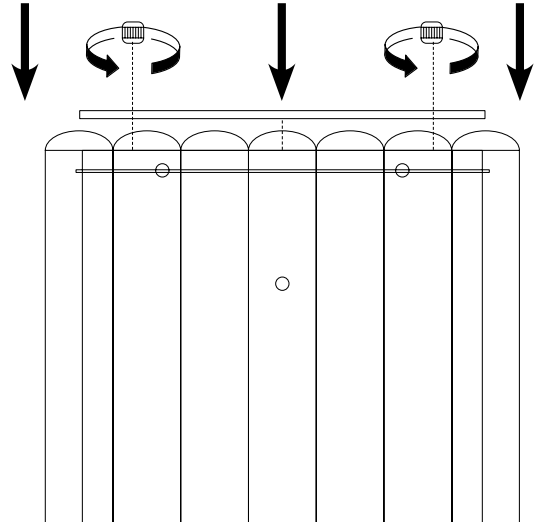
110032 WALL LAMP AMALFI

ASSEMBLY INSTRUCTION

6 Place the light bulbs



7 Place the three middle glass tubes in their original position and fix the top plate with the cap nuts (C).



FINAL RESULT

