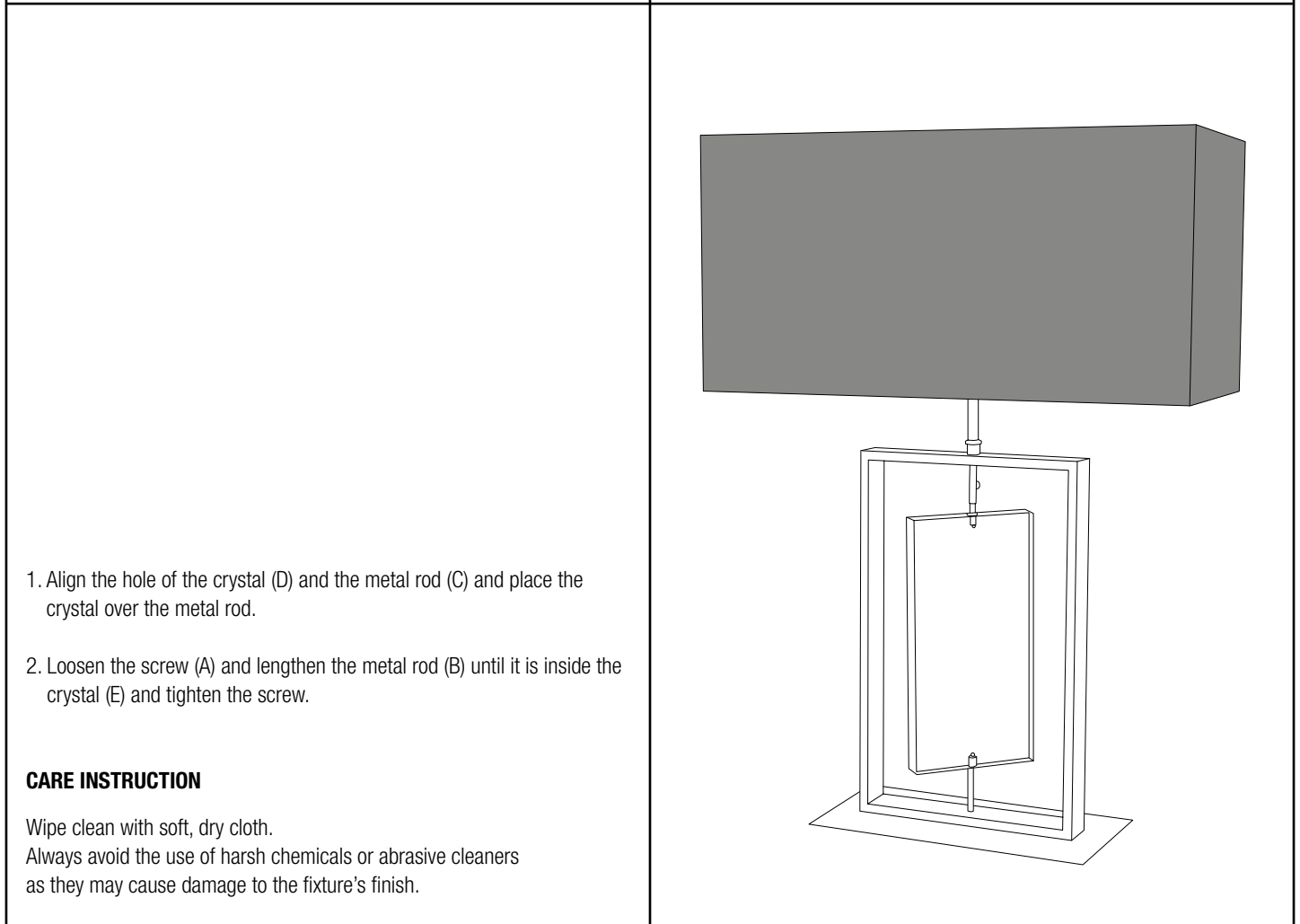
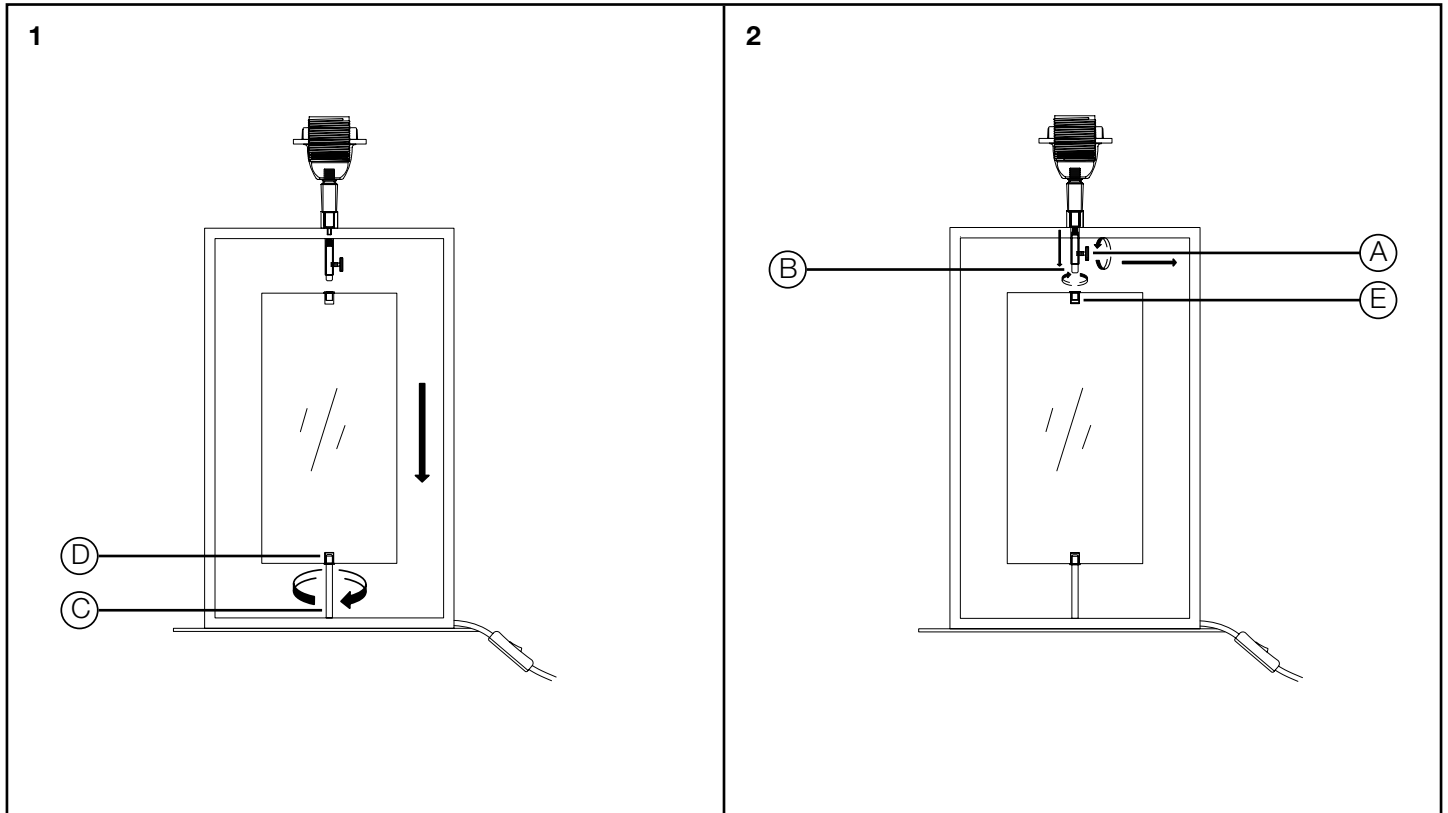




E I C H H O L T Z

109498 TABLE LAMP FORUM NICKEL FINISH

ASSEMBLY INSTRUCTION



1. Align the hole of the crystal (D) and the metal rod (C) and place the crystal over the metal rod.
2. Loosen the screw (A) and lengthen the metal rod (B) until it is inside the crystal (E) and tighten the screw.

CARE INSTRUCTION

Wipe clean with soft, dry cloth.
Always avoid the use of harsh chemicals or abrasive cleaners as they may cause damage to the fixture's finish.