

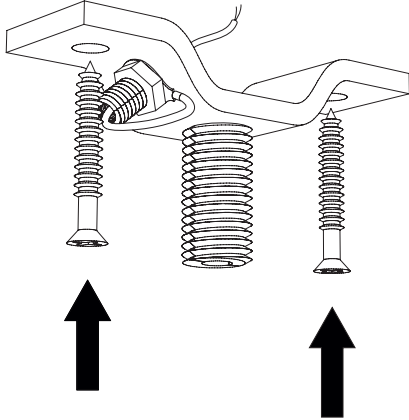


E I C H H O L T Z

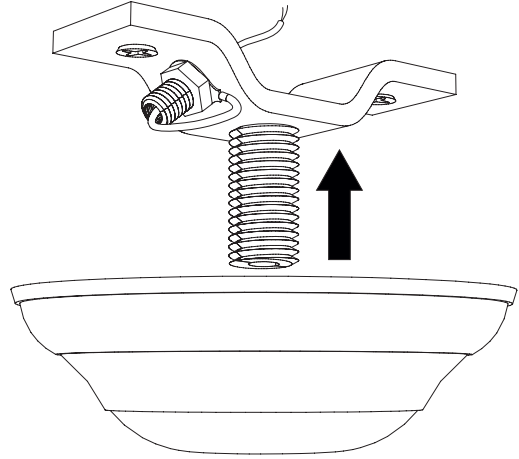
109182 LAMP DE HAVILLAND

ASSEMBLY INSTRUCTION

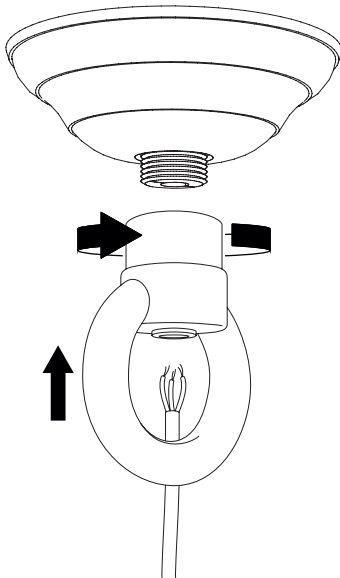
1 Turn-off the electricity supply at the main circuit panel before installing. Do not connect the electricity supply until your lamp is fully assembled and installed.



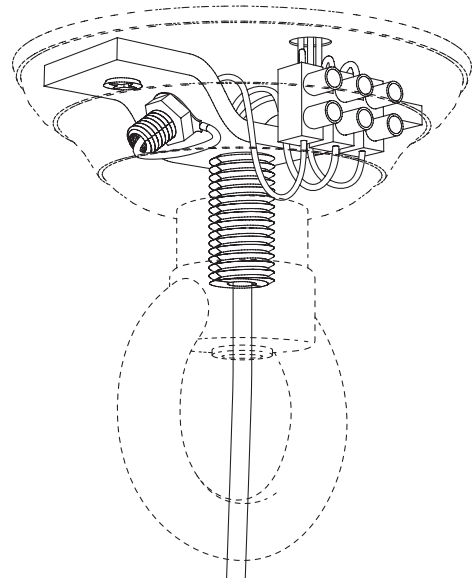
2



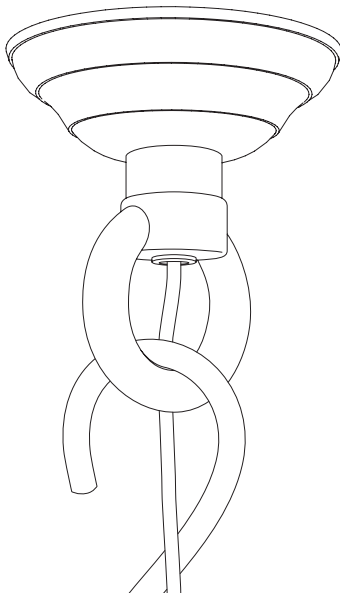
3



4



5



6 Push the knob as indicated by the arrow and open the back of the lamp. Place the bulbs. Pull the reflector from the side to the back so it is behind the bulbs.

