

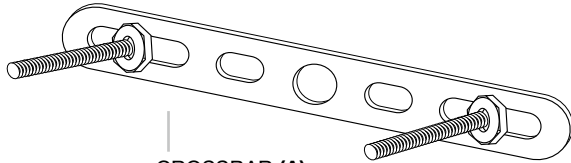


E I C H H O L T Z

109097 WALL LAMP IRVING GUNMETAL FINISH

ASSEMBLY INSTRUCTION

PARTS



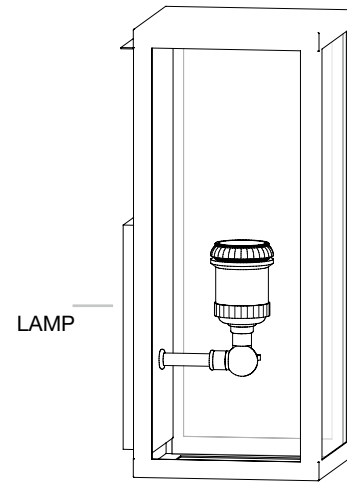
CROSSBAR (A)



NUTS

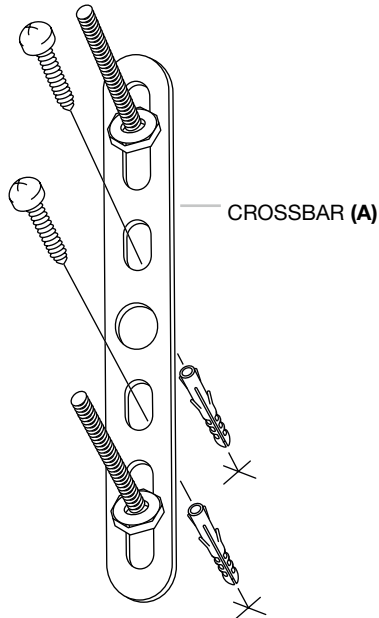


NUTS



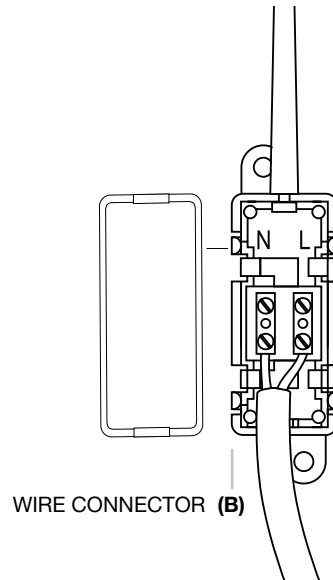
LAMP

1



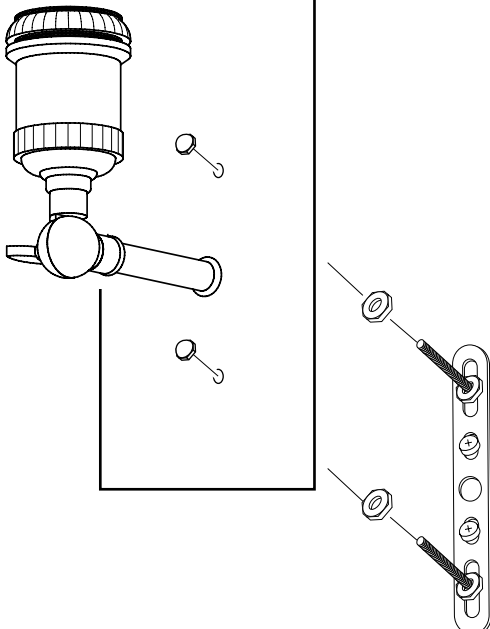
CROSSBAR (A)

2



WIRE CONNECTOR (B)

3



Turn-off the electricity supply at main circuit panel before installing. Do not connect electricity supply until your wall light is fully assembled and installed.

Fix the crossbar (A) to the wall by using wall mounting plugs and screws suitable to your wall type.

Open the wire connector (B) and connect the 3 power wires according to their colours . Brown is the live wire, blue is the neutral wire, green/yellow is the earthwire.

Place the lamp over the bolts attached to the crossbar and fix it securely with the nuts supplied.

CARE INSTRUCTION

Wipe clean with soft, dry cloth.

Always avoid the use of harsh chemicals or abrasive cleaners as they may cause damage to the fixture's finish.