

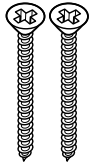


E I C H H O L T Z

108140 WALL LAMP EASY LIVING M BRONZE

ASSEMBLY INSTRUCTION

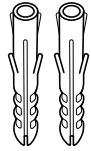
PARTS



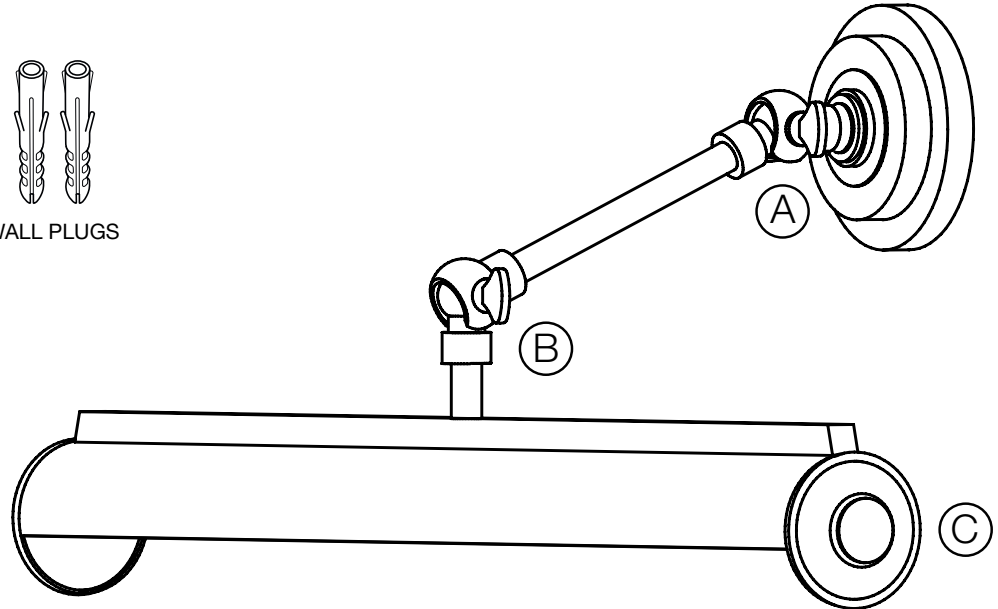
SCREWS



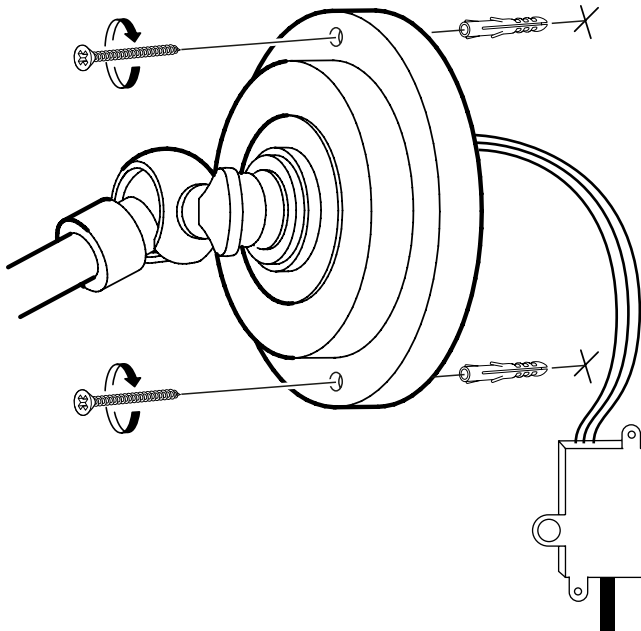
SCREW COVERS



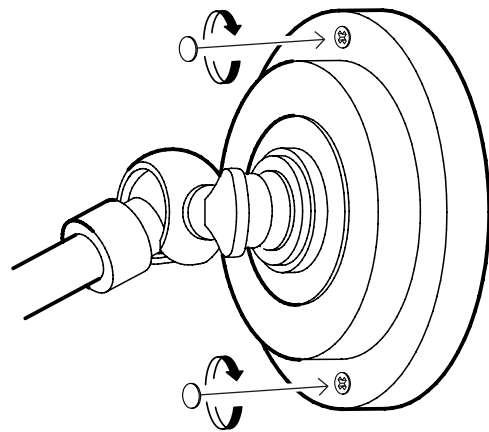
WALL PLUGS



1



2



Loosen the adjustment keys (A,B).

Adjust shade (C) to desired position and tighten the adjustment keys (A,B).

Connect the 3 power wires according to their colours. Brown is the live wire, blue is the neutral wire, the green yellow wire is the earthwire.

CARE INSTRUCTION

Wipe clean with soft, dry cloth.

Always avoid the use of harsh chemicals or abrasive cleaners as they may cause damage to the fixture's finish.