

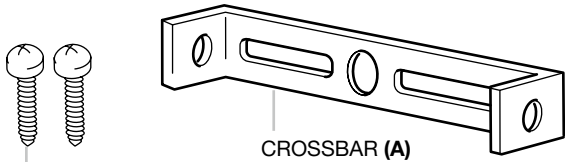


E I C H H O L T Z

107406 WALL LAMP HAUSSMAN

ASSEMBLY INSTRUCTION

**PARTS**



SCREWS

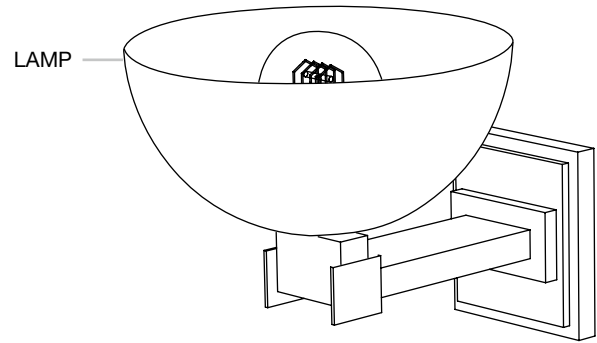
CROSSBAR (A)



ALLEN SCREWS

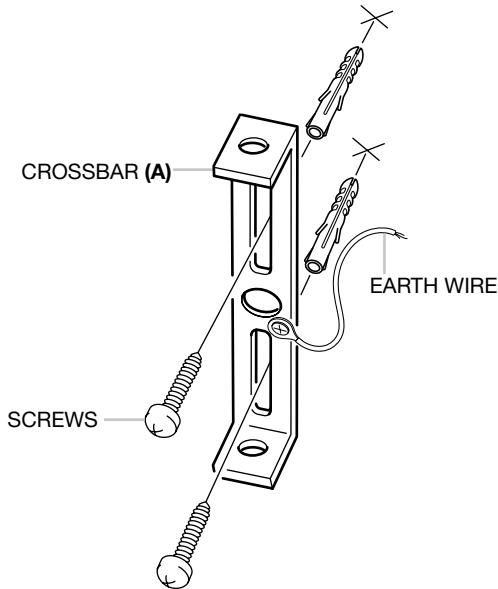


ALLEN KEY



LAMP

**1**

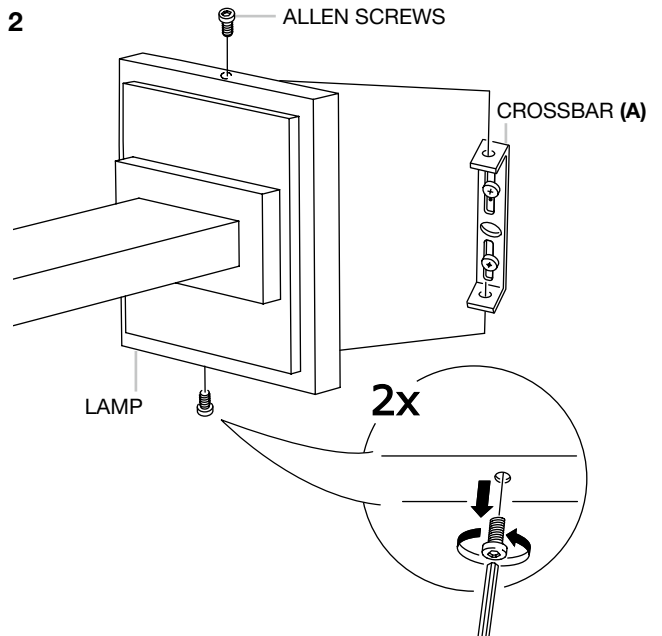


CROSSBAR (A)

SCREWS

EARTH WIRE

**2**



ALLEN SCREWS

CROSSBAR (A)

LAMP

2x

Switch off the power at the main switchboard.  
Fix the crossbar (A) to the wall by using wall mounting plugs and screws suitable to your wall type.  
Connect the 3 power wires according to their colours. Brown is the live wire, blue is the neutral wire, the green yellow wire is the earthwire.

Place the lamp over the cross bar and fix it securely with the allen screws (B) supplied.

