

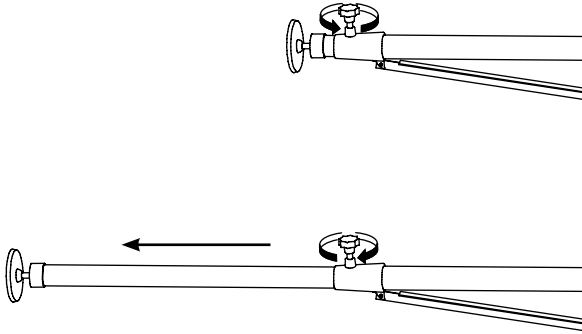


E I C H H O L T Z

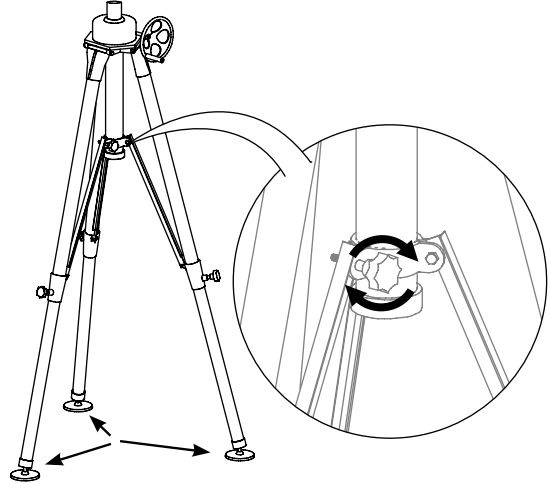
105170 FLOOR LAMP ROYAL MASTER SEALIGHT

ASSEMBLY INSTRUCTION

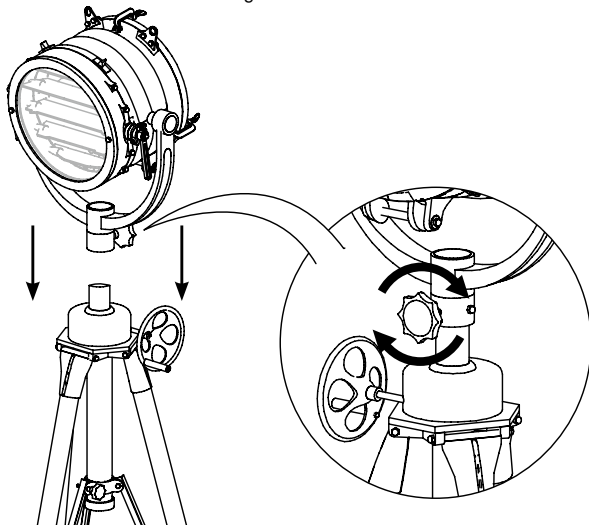
1 Loosen all three foot knobs by turning them in anti-clock wise direction. Fully extend the legs one by one and tighten all foot knobs as shown.



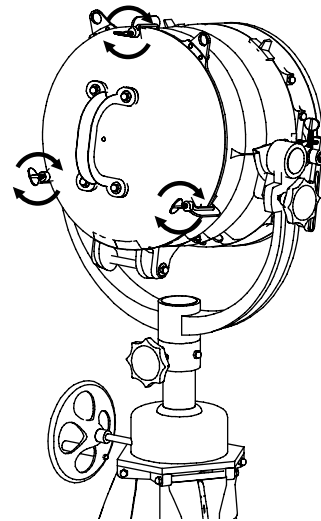
2 Loosen the centre knob and extend the stand to the maximum width.



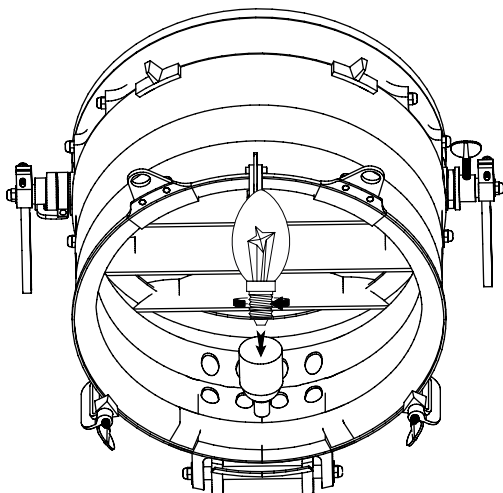
3 Loosen the knob, place the head onto the stand and properly tighten the knob before use to avoid 360 degree rotation.



4 Loosen the wing nuts at the back of the head and open it.



5 Place the light bulb into the lamp holder. Close it and tighten the wing nuts.



FINAL

To move the shutters up and down, loosen the wing nut and turn the lever up or down to the correct position.

When the shutters are in the correct position tighten the wing nut.

Turn the wheel on the side to change the height of the lamp.

Make sure to tighten the knob that fixes the head tightly to avoid 360 degree rotation.

DO NOT turn the wheel beyond the **RED MARK** on the centre moving pillar! Otherwise the mechanism might mal-function.

