

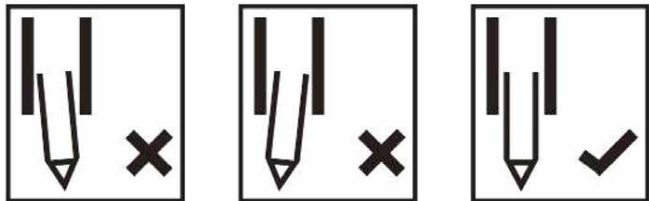


E I C H H O L T Z

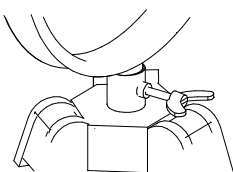
104423 FLOOR LAMP ATLANTIC

ASSEMBLY INSTRUCTION

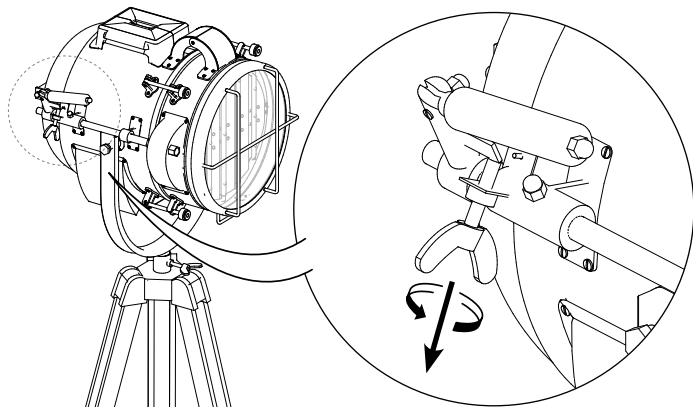
- 1** While resting one leg on the ground gently expand the other two legs. Slightly loosen the fly screw & press the centre square wood down to extend the legs to the desired height one by one.



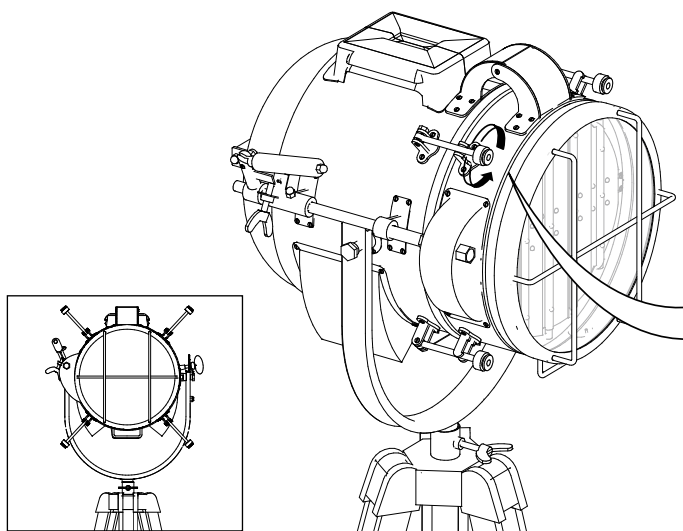
Place the lamphead on the base and properly tighten the wing nut to avoid 360 degree rotation.



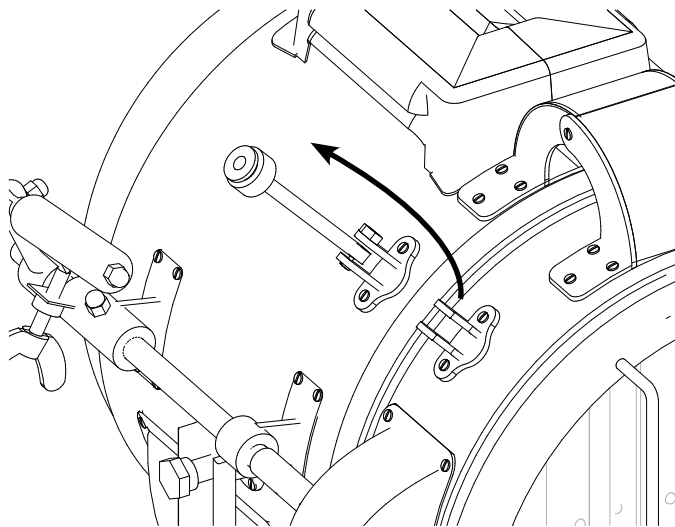
- 2** The shutters must be in closed position to fit the bulb. If they are open, please loosen the wing nut until the shutters are closed.



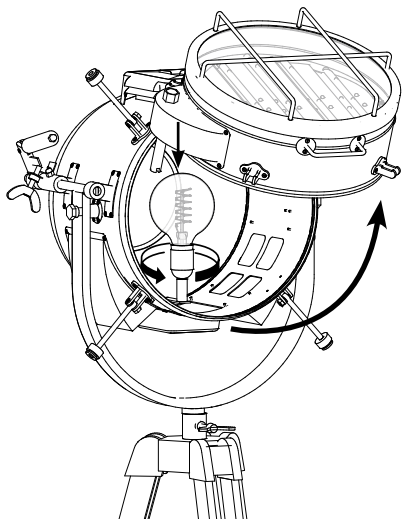
- 3** Unscrew all four kirra locks.



ZOOM



- 4** Open the front and place the bulb



- 5** Close the front with matching junction rod. Close all kirra locks.

