

**Item type**

Chandelier

**Item name**

Bolzano

**Item no**

114672

**Attention!**

Do not connect your luminaire to electricity until it is fully assembled.

**Care instructions:**

Wipe with a soft cloth, do not use chemicals or abrasive cleaning materials.

**Eichholtz B.V.**

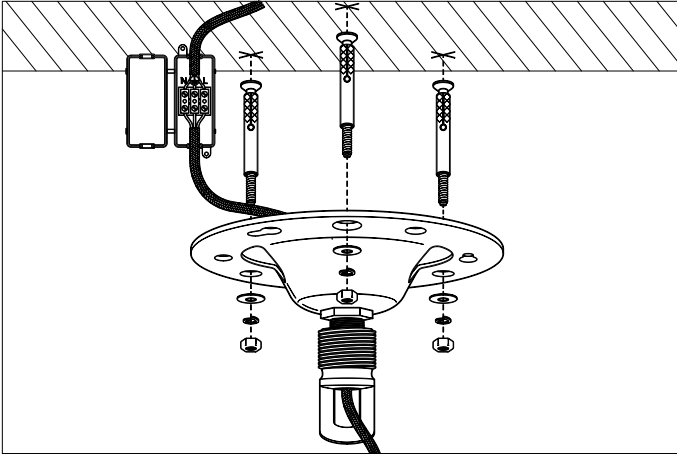
Delfweg 52

2211 VN Noordwijkerhout

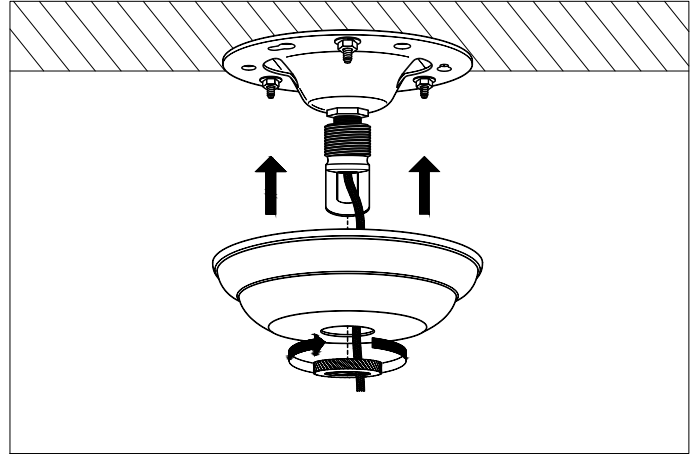
The Netherlands

[www.eichholtz.com](http://www.eichholtz.com) [service@eichholtz.com](mailto:service@eichholtz.com)

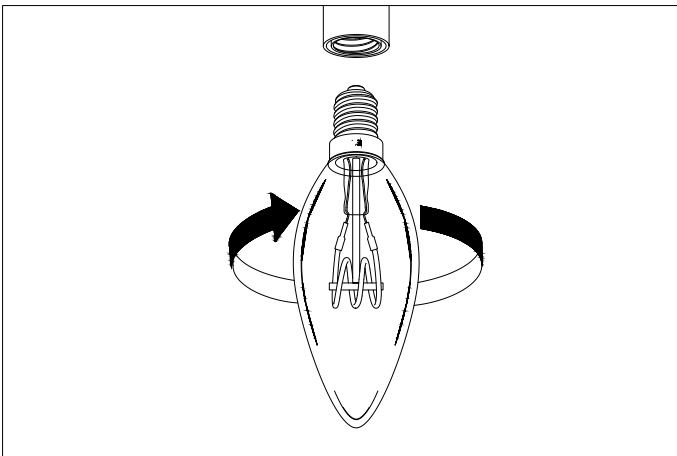
+31 (0)252 515 850



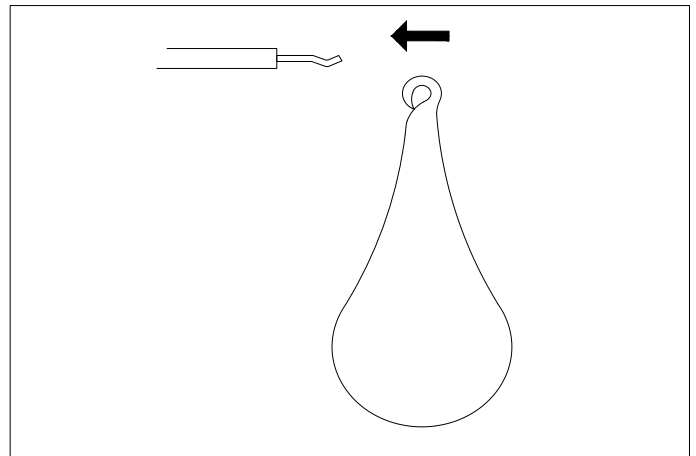
1. Fix the ceiling bracket to the ceiling by using mounting plugs and screws suitable for your ceiling type. Connect the 3 power wires. Brown is the live wire, blue is the neutral wire, green/yellow is the earth wire.



2. Slide the canopy over the ceiling bracket and fix it with the retaining nut.



3. Place the bulbs.



4. Hang the glass decorations on the hooks, alternating the large and small decorations.