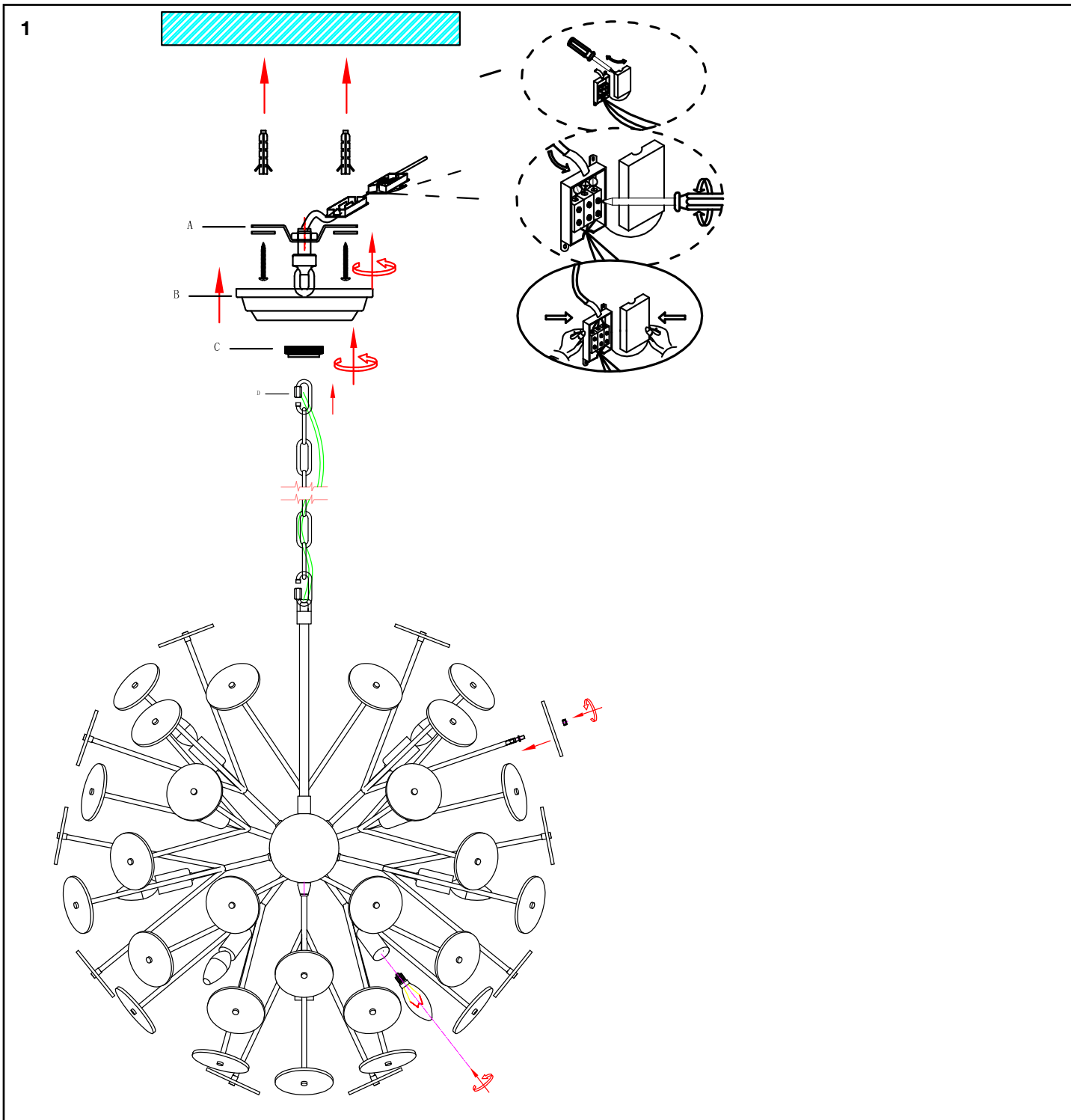




E I C H H O L T Z

110579 CHANDELIER BRANQUINHO S

ASSEMBLY INSTRUCTION



Turn off the electricity supply at the main circuit panel before installing. Do not connect the electricity supply until your luminaire is fully installed.

Fix the ceiling bracket (A) to the ceiling by using mounting plugs and screws suitable to your ceiling type.

Hold the lamp in an elevated position in such a way that the wires can freely reach the ceiling junction box.

Thread the wires through the components (suspension eye (D), retaining nut (C), ceiling canopy (B)) and connect the 3 power wires according to their colours. Brown is the live wire, blue is the neutral wire, green/yellow is the earth wire.

Screw the suspension eye (with retaining nut attached) to the ceiling bracket and fix it securely by tightening the retaining nut.

Place the bulbs (not included) and finally unpack the decorations and screw them into the body of the lamp carefully.