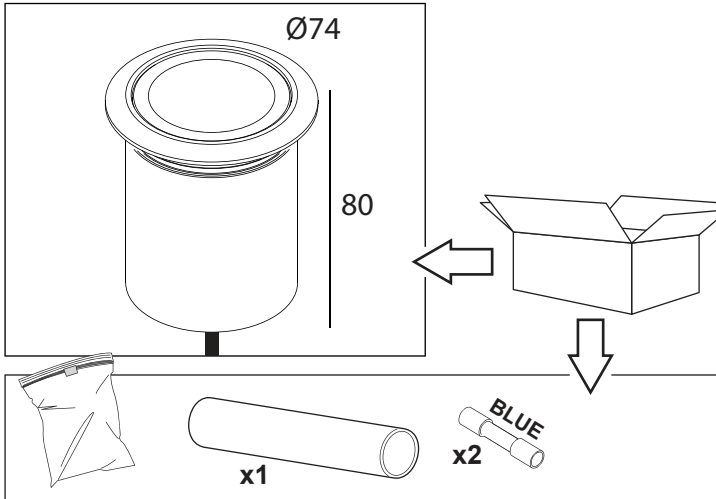


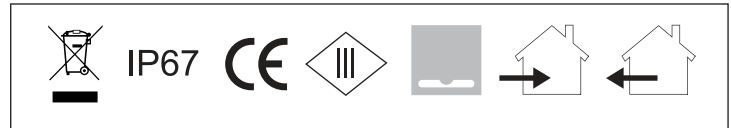
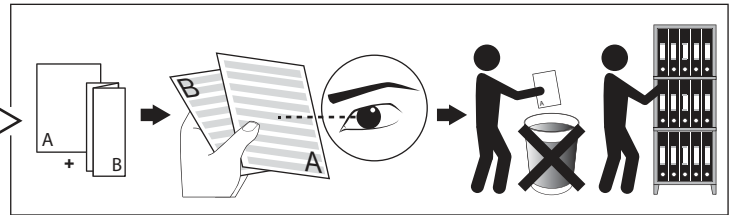
LOGIC 60 R A SP

DEEL
PARTIE
TEIL
PART
PARTE
PARTE **A**

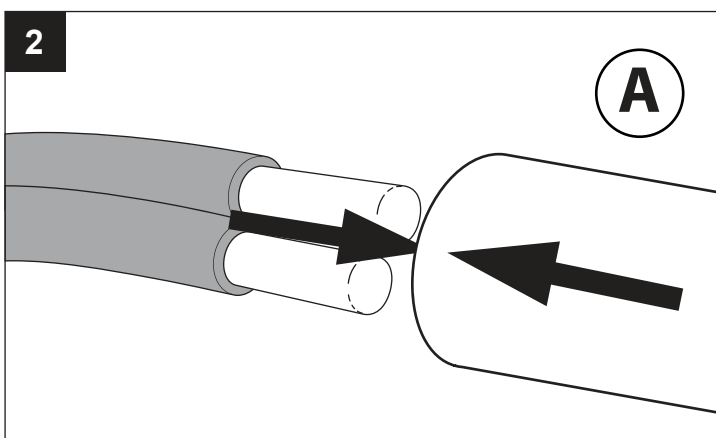
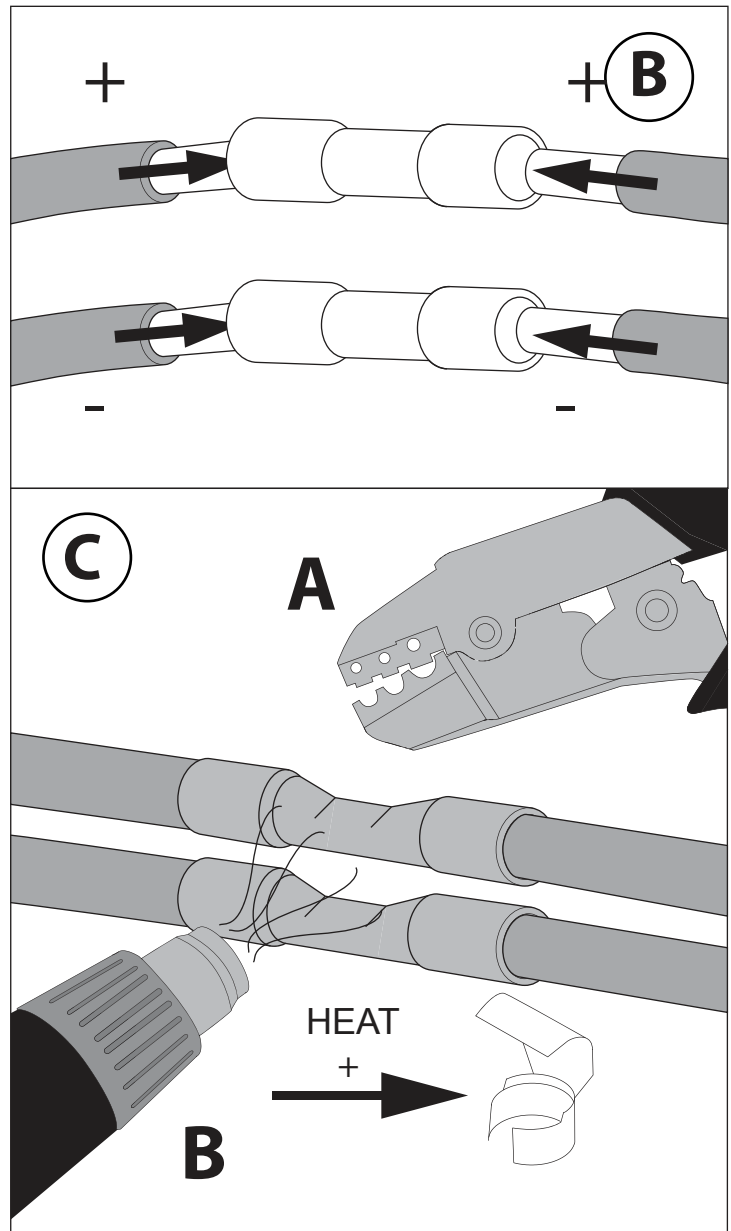
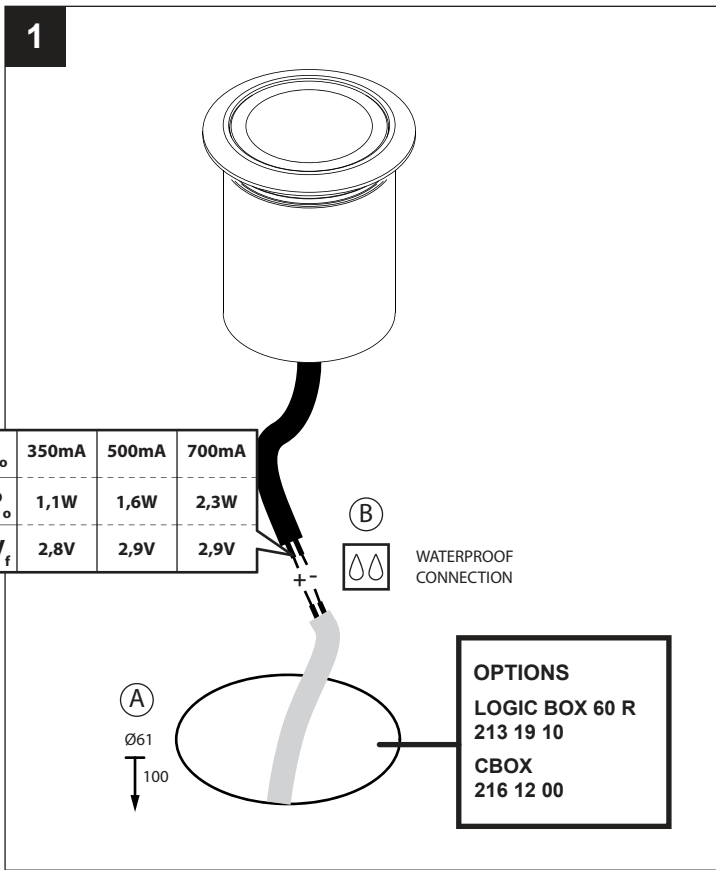


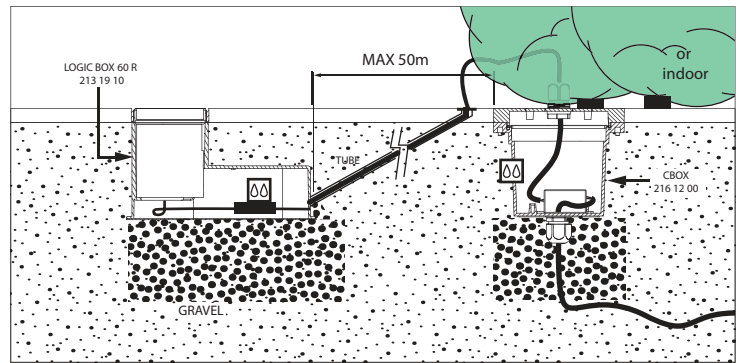
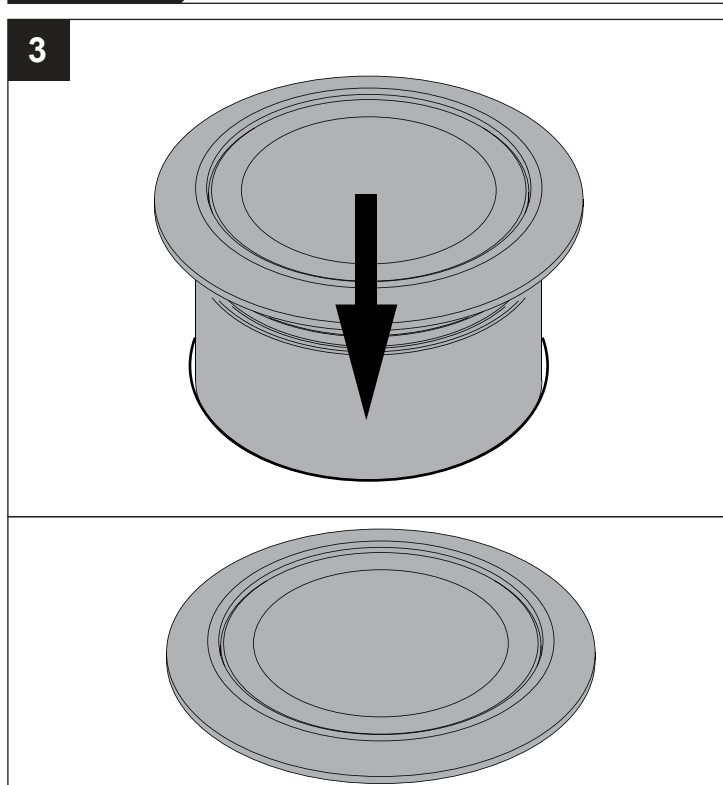
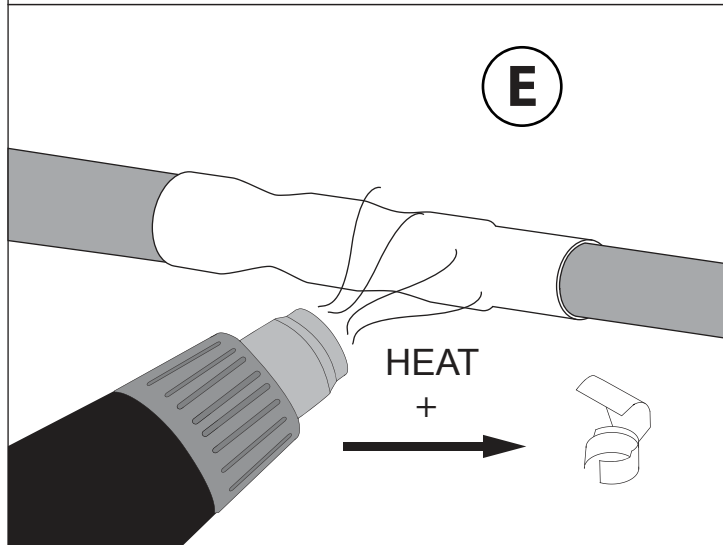
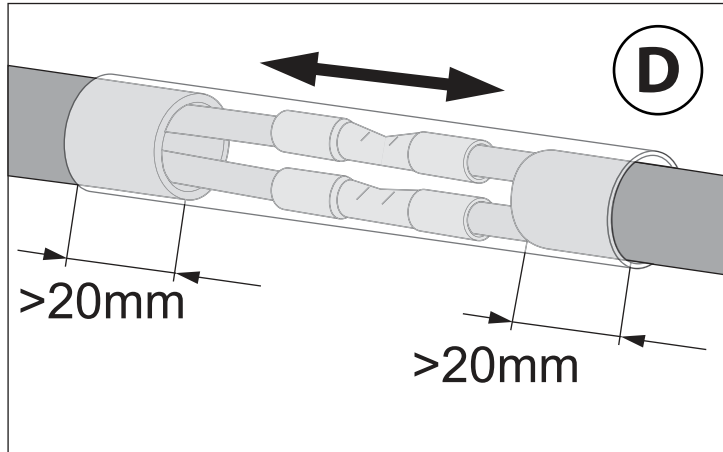
IP67

Stofdicht - Beschermd tegen effecten van tijdelijke indompeling
 Etanche aux poussières - Protégé contre les effets de l'immersion temporaire
 Staubdicht - Geschützt gegen vorübergehend Eintaucheffekte
 Dust-tight - Protected against the effects of temporary immersion
 Hermético al polvo - Protegido contra los efectos de la inmersión temporal
 A tenuta di polvere - Protetto contro gli effetti dell'immersione temporaneo



Enkel geschikt voor toestellen op zeer lage spanning (minder dan 50 V-AC / 120 V-DC)
 Convient uniquement pour les produits à très basse tension (moins de 50 V-AC / 120 V-DC)
 Geeignet für Güter mit sehr niedriger Spannung (unter 50 V-AC / 120 V-DC)
 Only suited for goods at very low voltage (below 50 V-AC / 120 V-DC)
 Se recomienda únicamente para aquellos productos de tensión muy baja (menos de 50 V-AC / 120 V-DC)
 Vale unicamente per i prodotti a tensione molto bassa (inferiore a 50 V-AC / 120 V-DC)





 **WARNING**

ANY CLAIM TO A WARRANTY SHALL BECOME NULL AND VOID IF THE DEVICE IS NOT INSTALLED WITH THE SUITABLE BOX (OPTIONAL) PROVIDED BY DELTALIGHT N.V.

- Use only power supplies that are certified according to the applicable IEC or UL safety standards.
- Use only SELV power supplies.
- Check the ratings of the power supply with those of the luminaire. The maximum current rating must be taken into account. The indicated typical voltage must not be used to select a constant voltage power supply but is intended to be used to select a constant current power supply that is able to cover that typical voltage.
- Take appropriate ESD measures. Avoid touching bare conductors.
- Leds or led luminaires that require a current controlled power supply must never be connected in parallel.
- Leds can be damaged by the contact with certain chemicals or chemical gases. Therefore led domes or led engines should never be cleaned with chemical substances. The following substances have proven to have a negative influence on the performance and must not be used in the direct environment of a led luminaire.
Methyl acetate or ethyl acetate (i.e., nail polish remover)
Cyanocrylates (i.e., "Superglue")
Glycol ethers (including Radio Shack® Precision Electronics Cleaner - dipropylene glycol monomethyl ether)
Formaldehyde or butadiene (including Ashland PLIOBOND® adhesive)
Dymax 984-LVUF conformal coating
Loctite Sumo Glue
Gorilla Glue
Bleach, Bleach-containing cleaners, sprays
Loctite 384 adhesive
Loctite 7387 activator
Loctite 242 threadlocker
- Remove insulation and/or provide sufficient ventilation so that the indicated max Tc is not surpassed.
- Leds are susceptible to switching transients. Therefore switching must be done in the primary circuit of the power supply.
- DELTA LIGHT recommends to use the power supplies that are indicated in the Lighting Bible.
- Respect polarity
- Don't test LED luminaires one by one on a powersupply that is switched on.



DE GARANTIE VERVALT INDIEN HET TOESTEL NIET GEÏNSTALLEERD IS IN DE BIJHORENDE LOGIC BOX
 UNE INSTALLATION SANS GENIE BOX ENTRAINE LA PERTE AUTOMATIQUE DE LA GARANTIE
 DIE GARANTIE ERLISCHT, WENN DIE LEUCHTE NICHT IN DER ENTSPRECHENDEN LOGIC BOX INSTALLIERT WIRD
 THE GUARANTEE IS VOID IF THE FIXTURE IS NOT INSTALLED IN THE LOGIC BOX
 LA GARANTIA ES NULA SI LA LUMINARIA NO SE INSTALA CON EL LOGIC BOX
 LA GARANZIA NON È VALIDA SE L'APPARECCHIO NON VIENE MONTATO NELL'APPOSITA LOGIC BOX