

## LABICS • SUSPENSION

REF. 9710.10

### WEIGHT

Net Weight: 35kg | 77.2 lbs  
 Gross Weight: 64kg | 141.1lbs

### BULBS

Quantity: 10  
 Type: G9  
 Wattage: 40W (max)

### MATERIALS

Body: Brass  
 Details: Glass

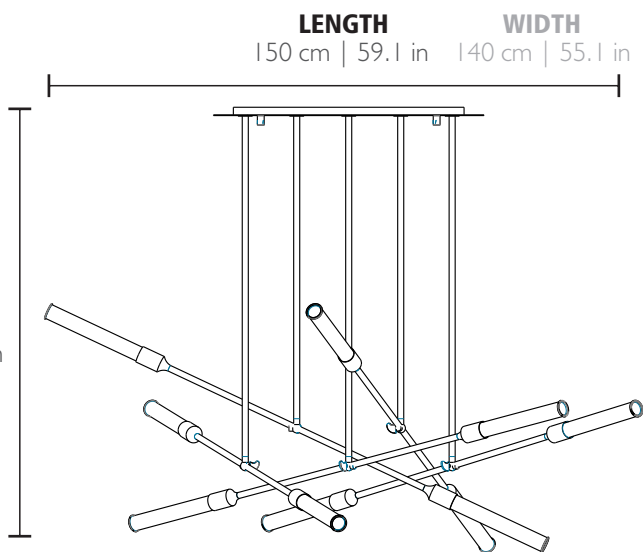
### GLASS

Type: Clear

### PACKING (approx.)

Dimensions: 148 x 80 x 40 cm  
 58.3 x 31.5 x 15.7 in

Volume: 0.47 m<sup>3</sup> | 16.73 ft<sup>3</sup>



CE - Products manufactured according the European norm of security EN 60 598-1.

F - Products adjusted for instalation in surfaces normally inflammable.

□ - Products of class II. The electric isolation is double or reinforced.

ES - Products with the possibility of instalation of low-energy consumption bulbs.

## PRODUCT FINISHES & COSTUMIZATION OPTIONS

