

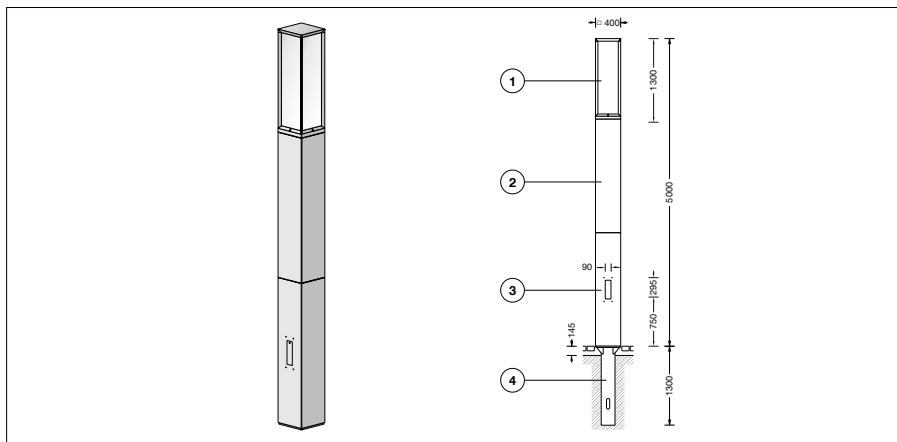
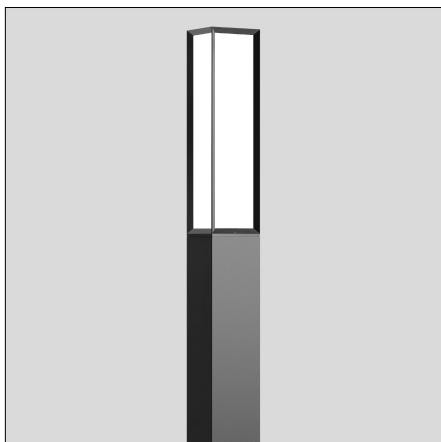
**BEGA****99 877**

Light building element



Project · Reference number

Date



## Product data sheet

### Application

Light building element with square profile and rotationally symmetrical light distribution. Light building elements are luminaires which can divide and structure areas in exterior application. They have a orientating, directing and demarcating function.

### Product description

Luminaire made of aluminium alloy, aluminium and stainless steel  
 White synthetic diffuser  
 Fixing of the light building element with anchorage unit **71 138**  
 With inserted door made of aluminium  
 Square door latch (wrench size 8 mm)  
 Connection box 71 084  
 for through-wiring – for 2 cables up to  $7 \times 6^2$   
 Terminal connection L1 · L2 · L3 · N · PE  
 2 connecting terminals for connecting DALI control cables  
 Fuse terminal with micro fuse  
 6,3 A slow  $\phi 5 \times 20$  mm  
 LED power supply unit  
 220-240 V  $\sim$  0/50-60 Hz  
 DC 176-264 V  
 During DC operation the LED power is reduced to 50 %  
 Dimmable 1-10 V  
 A basic isolation exists between power cable and control line  
 Luminaire: Protection class IP 65  
 Dust-tight and protection against water jets  
 Safety class I  
 Impact strength IK08  
 Protection against mechanical impacts < 5 joule  
 – Safety mark  
**CE** – Conformity mark  
 Wind catching area: 2.96 m<sup>2</sup>  
 Weight: 159.6 kg

### Lamp

Module connected wattage 86.4 W  
 Luminaire connected wattage 96 W  
 Rated temperature  $t_a = 25$  °C  
 Ambient temperature  $t_{a,max} = 50$  °C

### 99 877 K4

Module designation 12x LED-1011/840  
 Colour temperature 4000 K  
 Colour rendering index CRI > 80  
 Module luminous flux 17640 lm  
 Luminaire luminous flux 10019 lm  
 Luminaire luminous efficiency 104,4 lm/W

### 99 877 K3

Module designation 12x LED-1011/830  
 Colour temperature 3000 K  
 Colour rendering index CRI > 80  
 Module luminous flux 17160 lm  
 Luminaire luminous flux 9747 lm  
 Luminaire luminous efficiency 101,5 lm/W

### Service life of the LED

Ambient temperature  $t_a = 25$  °C  
 – at 466,000h: L70B50

max. ambient temperature  $t_a = 50$  °C  
 – at 103,000h: L70B50

### Inrush current

Inrush current: 8 A / 100  $\mu$ s  
 Maximum number of luminaires of this type per miniature circuit breaker:  
 B 10A: 13 luminaires  
 B 16A: 22 luminaires  
 C 10A: 13 luminaires  
 C 16A: 22 luminaires

### Light technique

Luminaire data for the light planning program DIALux for outdoor lighting, street lighting and indoor lighting as well as luminaire data in EULUMDAT- and IES-format you will find on the BEGA web page [www.bega.com](http://www.bega.com).

### Accessories

**71 138** Anchorage unit

### Article No. 99877

LED colour temperature optionally 4000 K or 3000 K  
 4000 K – Article number + **K4**  
 3000 K – Article number + **K3**

Colour graphite or silver  
 graphite – article number  
 silver – article number + **A**

### Light distribution

