

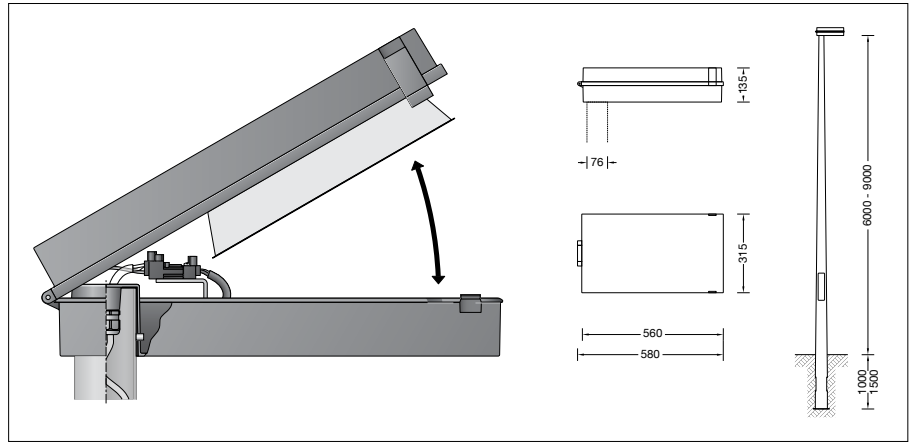
**BEGA****99 721**

Pole top luminaire



Project · Reference number

Date

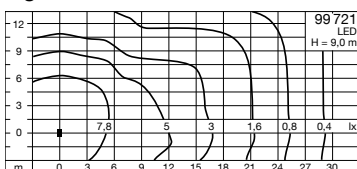


## Product data sheet

### Product description

Luminaire made of aluminium alloy,  
aluminium and stainless steel  
BEGA Unidure® coating technology  
Safety glass with optical structure  
Silicone gasket  
Reflector made of pure anodised aluminium  
Toolless closure  
For pole top  $\varnothing$  76 mm  
Slip fitter insert depth 80 mm  
1 screw cable gland with strain relief  
for mains supply cable from  $\varnothing$  6 - 12 mm  
3-pole plug connection with connecting  
terminal and earth conductor terminal 2.5<sup>□</sup>  
2-pole connection for digital control  
LED power supply unit  
220-240 V  $\sim$  0/50-60 Hz  
DC 170-276 V  
DALI controllable  
A basic isolation exists between power cable  
and control line  
BEGA Thermal Control®  
Temporary thermal regulation to protect  
temperature-sensitive components without  
switching off the luminaire  
Safety class I  
Protection class IP 66  
Dust-tight and protection against strong water  
jets  
Impact strength IK09  
Protection against mechanical  
impacts < 10 joule  
 - Safety mark  
 - Conformity mark  
Horizontal wind catching area: 0.08 m<sup>2</sup>  
Weight: 9.7 kg

### Light distribution



### Application

LED pole top luminaire with asymmetrical flat  
beam light distribution.  
The asymmetrical and flat beam light distribution  
is suitable especially for the illumination of  
streets according to DIN EN 13201.  
For mounting heights 6000 - 9000 mm.

### Lamp

Module connected wattage	51.6 W
Luminaire connected wattage	57.5 W
Rated temperature	$t_a = 25\text{ }^\circ\text{C}$
Ambient temperature	$t_{a\text{max}} = 45\text{ }^\circ\text{C}$

### 99 721 K4

Module designation	2x LED-0172/840
Colour temperature	4000 K
Colour rendering index	CRI > 80
Module luminous flux	6400 lm
Luminaire luminous flux	4888 lm
Luminaire luminous efficiency	85 lm/W

### 99 721 K3

Module designation	2x LED-0172/830
Colour temperature	3000 K
Colour rendering index	CRI > 80
Module luminous flux	6400 lm
Luminaire luminous flux	4888 lm
Luminaire luminous efficiency	85 lm/W

### Service life · Ambient temperature

Rated temperature $t_a = 25\text{ }^\circ\text{C}$	
LED psu:	> 50,000h
LED module:	> 200,000h (L 80 B 50) 100,000h (L 90 B 50)

Ambient temperature $t_{a\text{max}} = 45\text{ }^\circ\text{C}$ (100 %)	
LED psu:	50,000h
LED module:	85,000h (L 80 B 50) 100,000h (L 70 B 50)

Ambient temperature $t_{a\text{max}} = 50\text{ }^\circ\text{C}$ (95 %)	
LED psu:	50,000h
LED module:	50,000h

BEGA Thermal Control® protects temperature-sensitive luminaire components by temporarily limiting the nominal power at high temperatures.

### Inrush current

Inrush current: 20 A / 400  $\mu\text{s}$   
Maximum number of luminaires of this  
type per miniature circuit breaker:  
B 10A: 9 luminaires  
B 16A: 15 luminaires  
C 10A: 16 luminaires  
C 16A: 25 luminaires

### Overvoltage protection

The electronic components installed in the  
luminaire are protected against overvoltage in  
accordance with DIN EN 61547.  
To achieve an additional protection against  
e. g. transients, etc. we recommend separate  
overvoltage protection components.  
You can find them on our website at  
[www.bega.com](http://www.bega.com).

### Article No. 99 721

LED colour temperature optionally 4000 K  
or 3000 K  
4000 K – Article number + **K4**  
3000 K – Article number + **K3**

### Accessories

Wall bracket for mounting on a wall, building  
corner or a pole.

**70 700** Wall arm slope of 3°

**70 701** Wall arm slope of 12°

Pole top spreader for double or triple  
arrangement of luminaires on a pole.

**70 702** Pole top spreader 2-way

**70 703** Pole top spreader 3-way

For this luminaire we recommend to use the  
following BEGA luminaire poles:

Tapered aluminium poles · lacquered with  
access door and C-clamp.

**70 916** Pole with anch. section H 6000 mm

**70 917** Pole with anch. section H 7000 mm

**70 726** Pole with anch. section H 8000 mm

Tapered steel poles - hot-dip galvanised and  
lacquered - with access door and C-clamp

**70 836** Pole with anch. section H 8000 mm

**70 837** Pole with anch. section H 9000 mm

For suitable connection boxes please see the  
instructions for use of the luminaire poles.